

SERIES 89 NANOMINIATURE Single-Row Rectangular Connectors



890-017 and 890-018 Vertical Surface Mount PCB Connectors with Jackscrews

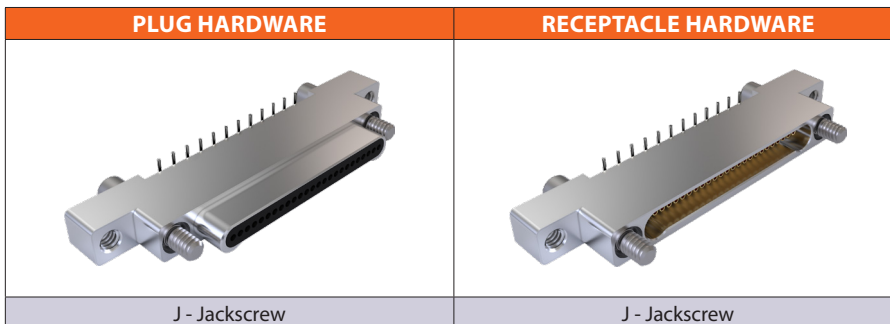
SINGLE-ROW RECTANGULAR CONNECTORS



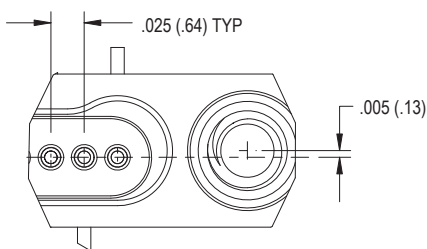
Vertical Surface Mount PCB Connectors feature gold alloy TwistPin contacts. These nanominiature connectors offer premium performance and reliability for demanding applications. Available with #0-80 female mounting threads and #0-80 jackscrew threads.

Pre-Tinned PC Tails are coated with Sn60Pb40 or Sn63Pb37 tin-lead for excellent solderability. Choose Aluminum, Titanium or Stainless Steel Shells in eight layouts from 5 to 51 contacts. These connectors are intermateable with any corresponding Glenair Series 890 single row metal shell nanominiature connector.

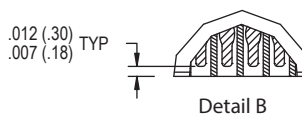
HOW TO ORDER					
Sample Part Number	890-017	-25P	A2	-BSS	J
Series	890-017 = Vertical, Surface Mount PCB Plug 890-018 = Vertical, Surface Mount PCB Receptacle				
Insert Arrangement/ Contact Type	Plugs (890-017): 5P, 9P, 15P, 21P, 25P, 31P, 37P, 51P Receptacles (890-018): 5S, 9S, 15S, 21S, 25S, 31S, 37S, 51S				
Shell Material and Finish	A1 = Aluminum Shell, Cadmium Plating A33 = Aluminum Shell, Nickel PTFE Plating S = Stainless Steel Shell, Passivated		A2 = Aluminum Shell, Electroless Nickel Plating A31 = Aluminum Shell, Zinc Nickel Plating, Black T = Titanium Shell, Unplated		
Termination Type	BSS = Board Straight Surface Mount				
Hardware	J = Hex Head Jackscrew				



DETAIL A



DETAIL B



PERFORMANCE SPECIFICATIONS

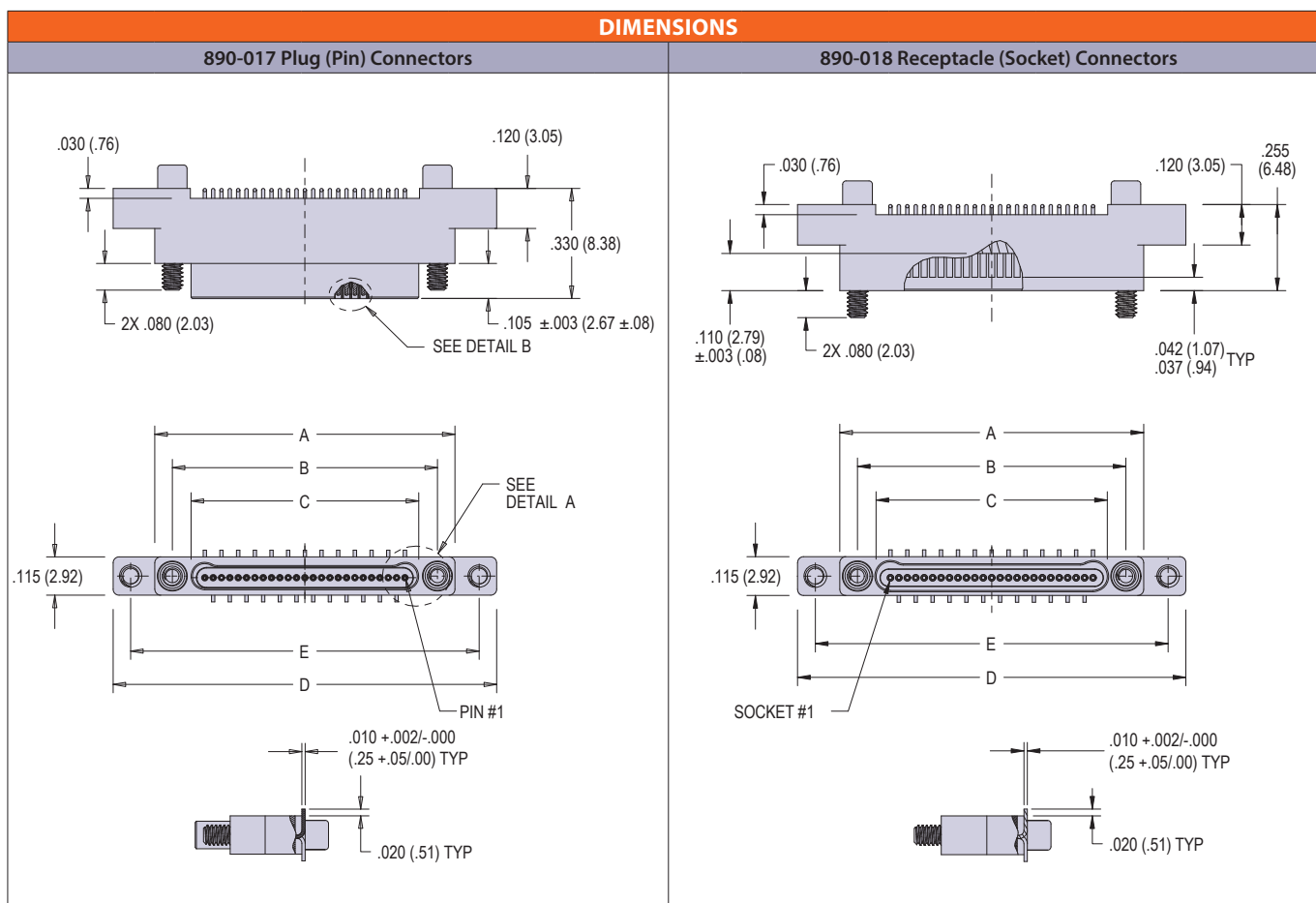
Contact Spacing: .025" (0.64) contact centers
Current Rating: 1 AMP maximum tested per EIA-364-70
DWV: 250 VAC RMS sea level, 100 VAC RMS 70,000 feet per EIA-364 Procedure 20
Insulation Resistance: 5000 Megohms minimum test voltage 100 VDC, per EIA-364 Procedure 21
Operating Temperature: -55° C. to +125° C.
Contact Resistance: 71 millivolt drop maximum, 1 AMP current, any catalog supported wire type
Vibration: 20 g's, IAW EIA-364-28, Condition IV
Shock: 100 g's, IAW EIA-364-27, Condition G
Durability: 200 mating cycles per test procedure EIA-364-09
Corrosion Resistance: 48 hours salt spray IAW EIA-364-26, Condition B
Humidity: 240 hours, IAW EIA-364-31, Test Condition B
Contact Engaging/Separation Force: 5 ounce maximum, 0.4 ounce minimum
Thermal Vacuum Outgassing: Total mass loss (TML) 1.0% max., volatile condensable material (VCM) 0.1% max. IAW ASTM E595

SERIES 89 NANOMINIATURE Single-Row Rectangular Connectors



890-017 and 890-018 Vertical Surface Mount PCB Connectors with Jackscrews

SINGLE-ROW RECTANGULAR CONNECTORS



Layout	A ± .005(0.13)	B BSC.	C BSC.	D	E BSC.
5P	.400 (10.16)	.295 (7.49)	.184 (4.67)	.650 (16.51)	.545 (13.84)
5S	.400 (10.16)	.295 (7.49)	.185 (4.70)	.650 (16.51)	.545 (13.84)
9P	.500 (12.70)	.395 (10.03)	.284 (7.21)	.750 (19.05)	.645 (16.38)
9S	.500 (12.70)	.395 (10.03)	.285 (7.24)	.750 (19.05)	.645 (16.38)
15P	.650 (16.51)	.545 (13.84)	.434 (11.02)	.900 (22.86)	.795 (20.19)
15S	.650 (16.51)	.545 (13.84)	.435 (11.05)	.900 (22.86)	.795 (20.19)
21P	.800 (20.32)	.695 (17.65)	.584 (14.83)	1.050 (26.67)	.945 (24.00)
21S	.800 (20.32)	.695 (17.65)	.585 (14.86)	1.050 (26.67)	.945 (24.00)
25P	.900 (22.86)	.795 (20.19)	.684 (17.37)	1.150 (29.21)	1.045 (26.54)
25S	.900 (22.86)	.795 (20.19)	.685 (17.40)	1.150 (29.21)	1.045 (26.54)
31P	1.050 (26.67)	.945 (24.00)	.834 (21.18)	1.300 (33.02)	1.195 (30.35)
31S	1.050 (26.67)	.945 (24.00)	.835 (21.21)	1.300 (33.02)	1.195 (30.35)
37P	1.200 (30.48)	1.095 (27.81)	.984 (24.99)	1.450 (36.83)	1.345 (34.16)
37S	1.200 (30.48)	1.095 (27.81)	.985 (25.02)	1.450 (36.83)	1.345 (34.16)
51P	1.550 (39.37)	1.445 (36.70)	1.334 (33.88)	1.800 (45.72)	1.695 (43.05)
51S	1.550 (39.37)	1.445 (36.70)	1.335 (33.91)	1.800 (45.72)	1.695 (43.05)

NOTES

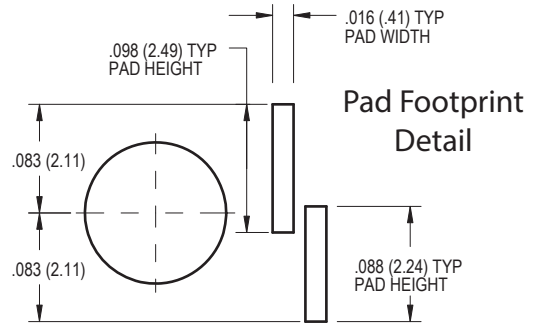
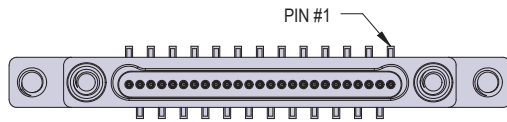
1. Material and finish:
 - Shell: see part number breakdown
 - Insulator: LCP N/A
 - Contacts: gold alloy/unplated
 - Pre-tinned PC tails: coated with Sn63Pb37 or Sn60Pb40 tin-lead
 - Hardware: stainless steel, passivated
2. Inspect and Test IAW MIL-DTL-32139
3. Interface dimensions per MIL-DTL-32139/1 and MIL-DTL-32139/2

SERIES 89 NANOMINIATURE Single-Row Rectangular Connectors

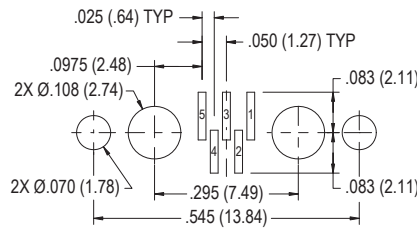


890-017 Vertical Surface Mount PCB with Jackscrews - Plug Footprints

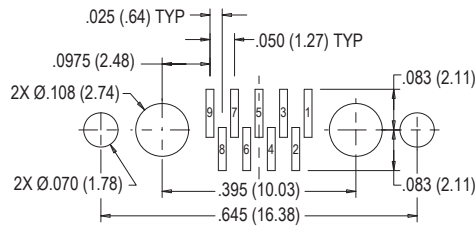
SINGLE-ROW RECTANGULAR CONNECTORS



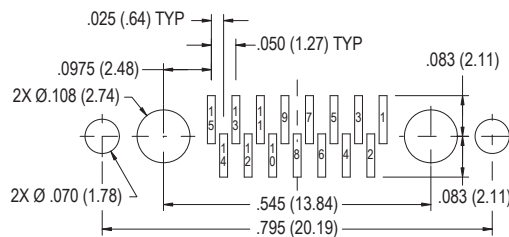
5 Contacts



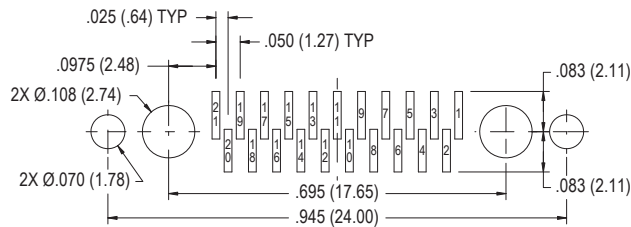
9 Contacts



15 Contacts



21 Contacts

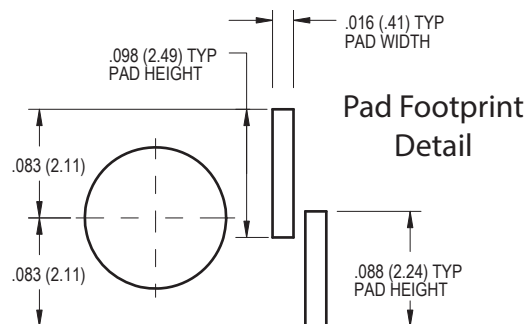
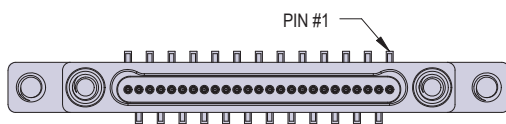


Layouts shown are for connector mounting side of PC Board.

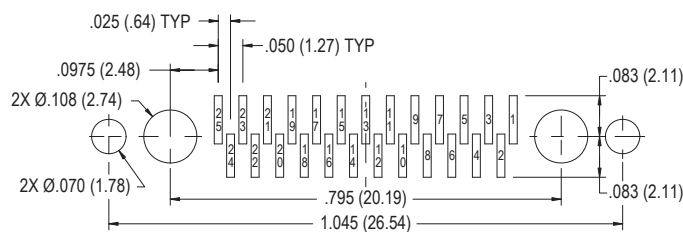
SERIES 89 NANOMINIATURE Single-Row Rectangular Connectors



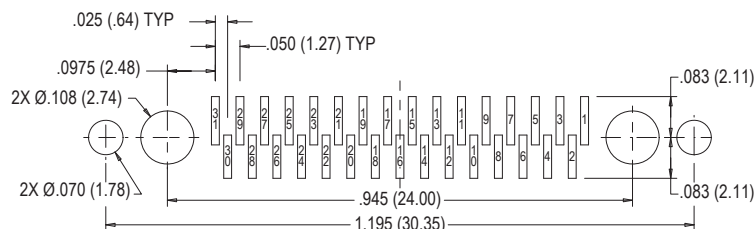
890-017 Vertical Surface Mount PCB with Jackscrews - Plug Footprints



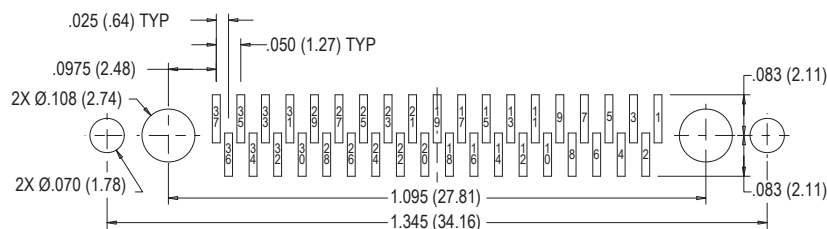
25 Contacts



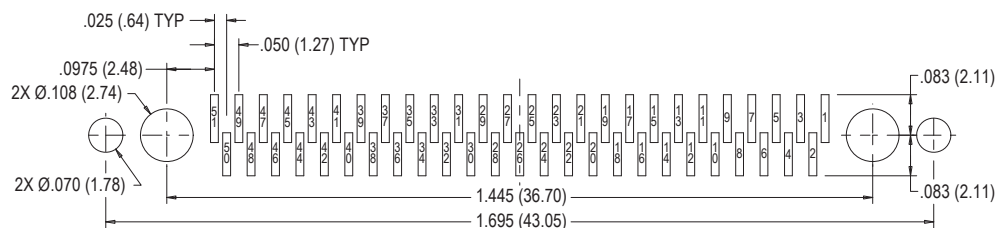
31 Contacts



37 Contacts



51 Contacts



Layouts shown are for connector mounting side of PC Board.

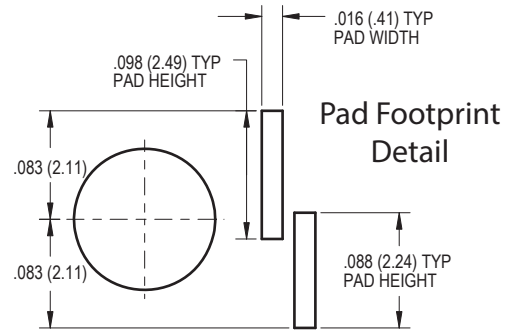
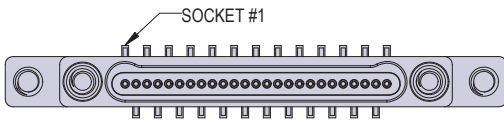
SINGLE-ROW RECTANGULAR CONNECTORS

SERIES 89 NANOMINIATURE Single-Row Rectangular Connectors

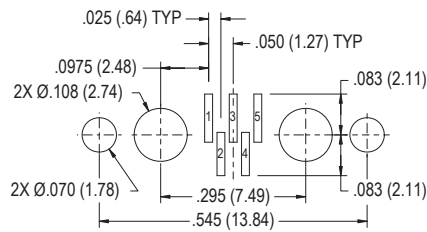


890-018 Vertical Surface Mount PCB with Jackscrews - Receptacle Footprints

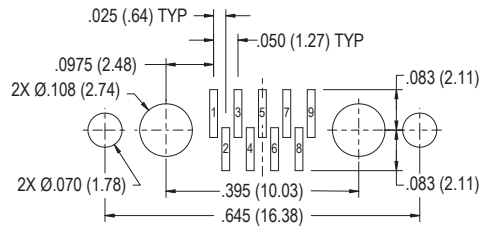
SINGLE-ROW RECTANGULAR CONNECTORS



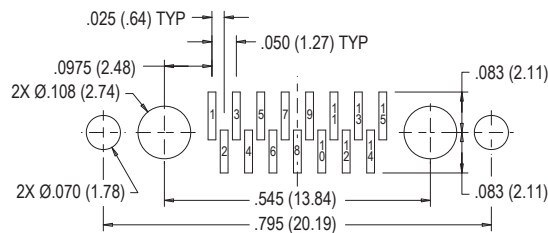
5 Contacts



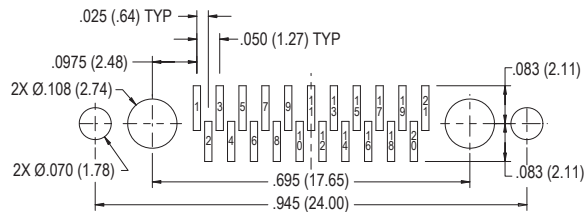
9 Contacts



15 Contacts



21 Contacts

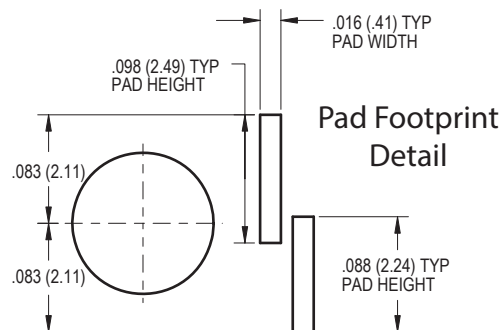
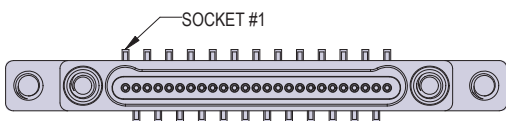


Layouts shown are for connector mounting side of PC Board.

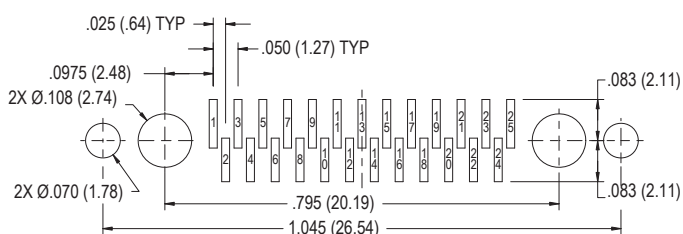
SERIES 89 NANOMINIATURE Single-Row Rectangular Connectors



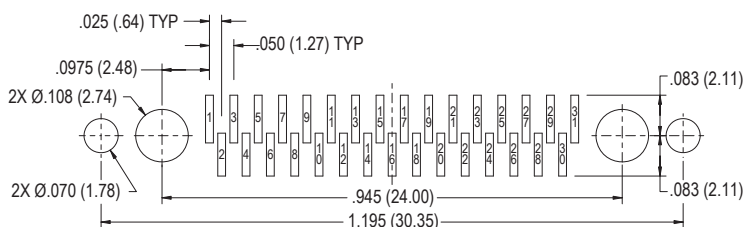
890-018 Vertical Surface Mount PCB with Jackscrews - Receptacle Footprints



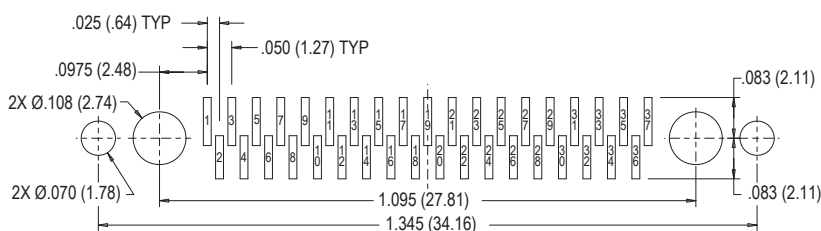
25 Contacts



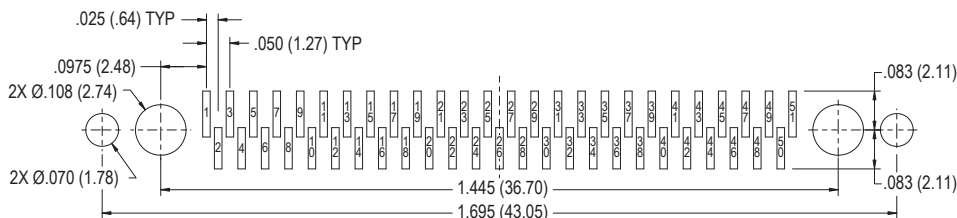
31 Contacts



37 Contacts



51 Contacts



Layouts shown are for connector mounting side of PC Board.

SINGLE-ROW RECTANGULAR CONNECTORS