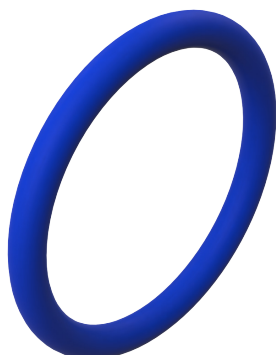


SERIES 89 NANOMINIATURE Threaded and Breakaway Nano Circulars



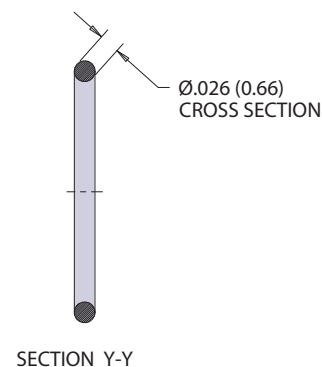
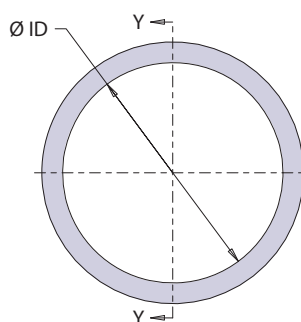
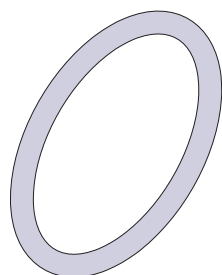
899-021 Nano Circular Replacement Interfacial Connector O-Ring



Replacement Interfacial O-Ring for Nano Circular connectors. IAW MIL-DTL-25988 Type II, Class I, Grade 70 fluorosilicone.

HOW TO ORDER			
Sample Part Number	899-021	-1	-01
Series	899-021 = Nano Circular Replacement Internal O-ring		
Shell Size	1, 2, 3, 4		
Material/Finish	01 = Fluorosilicone IAW MIL-DTL-25988 Type II, Class I, Grade 70		

DIMENSIONS	
SHELL SIZE	ID
1	.165 (4.19) - .170 (4.32)
2	.213 (5.41) - .219 (5.56)
3	.262 (6.65) - .270 (6.86)
4	.291 (7.39) - .300 (7.62)



THREADED AND BREAKAWAY NANO CIRCULARS