

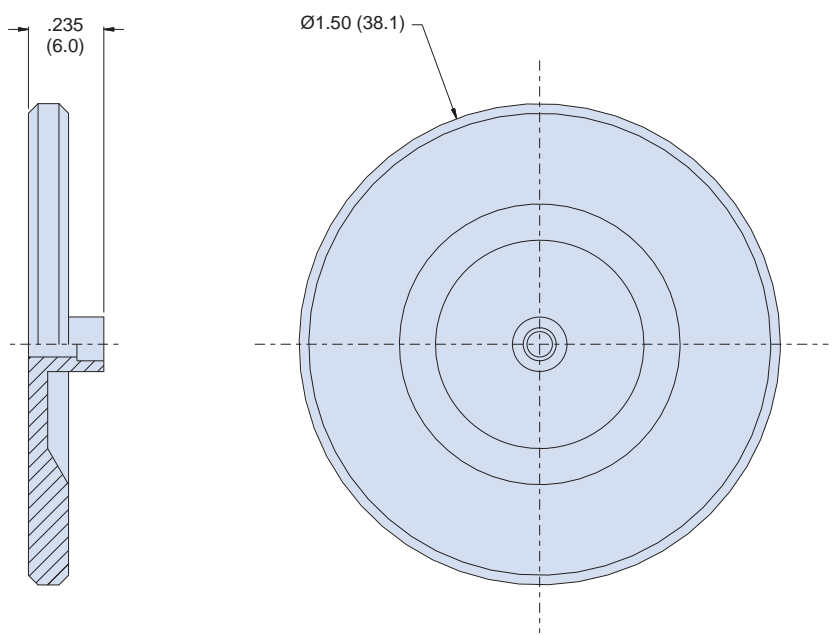
182-035
Polishing Tool
for Fiber Optic Termini

Polishing Tool for Fiber Optic Termini

B

The Glenair fiber optic termini polishing tool is designed for polishing M29504/14 pin and /15 socket termini. Used with polishing film, this tool makes it easy to polish termini using a figure-8 pattern. Tool is stainless steel with passivate finish.

Part Number	Compatible Termini	
182-035	181-039	M29504/14 Pin
	181-040	M29504/15 Socket



Dimensions in Inches (millimeters) are subject to change without notice.