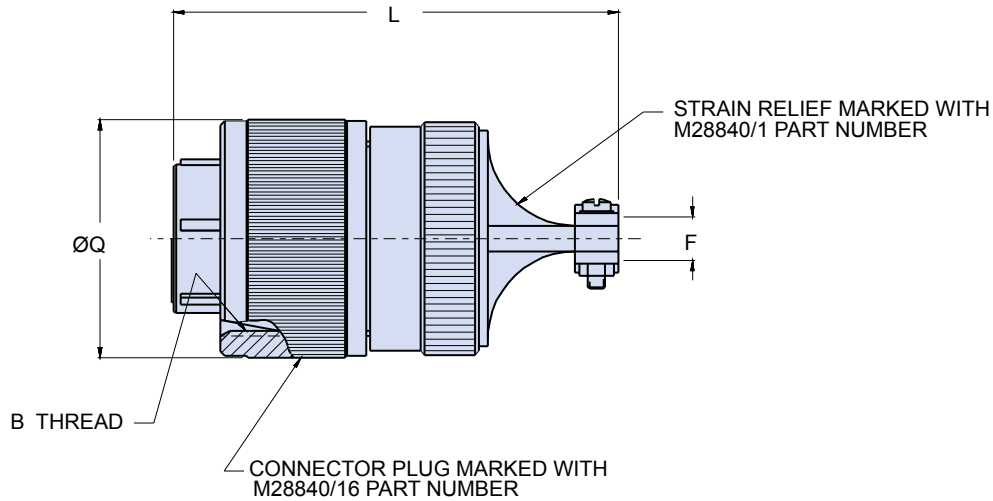
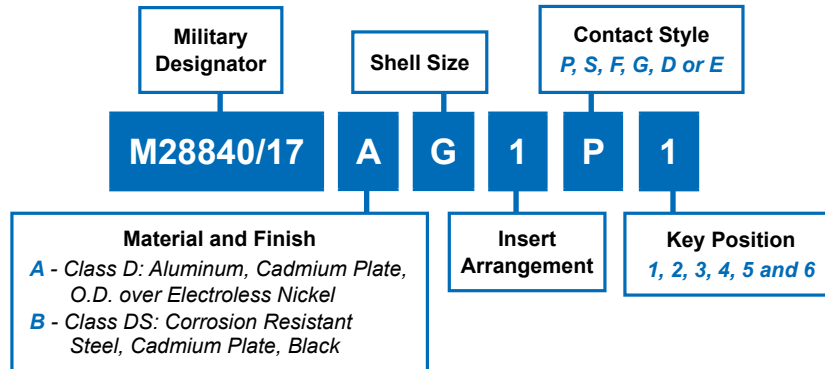


M28840/17 Plug Connector with Straight Strain Relief



Designator	A Thread Class 2B	F Cable Entry		L Max.	Q Max.	Max. O.D. Over Rear Clamps
		Open	Closed			
A (11)	.750-1P-2L-DS	.286	.177	2.438	1.028	.832
B (13)	.875-1P-2L-DS	.286			1.141	
C (15)	1.062-1P-2L-DS	.416	.250		1.263	
D (17)	1.125-1P-2L-DS	.476	.291	2.688	1.387	1.094
E (19)	1.312-1P-2L-DS	.626	.348	2.812	1.513	1.319
F (23)	1.500-1P-2L-DS	.831	.429	2.938	1.703	1.557
G (25)	1.625-1P-2L-DS	.956	.523	3.062	1.825	1.653
H (29)	1.812-1P-2L-DS	1.081	.643	3.188	2.143	1.819
J (33)	2.000-1P-2L-DS	1.187	.704	3.375	2.329	2.020

Dimensions in Inches (millimeters) are subject to change without notice.

