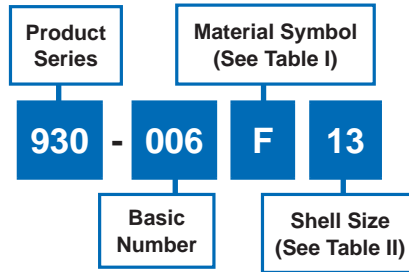
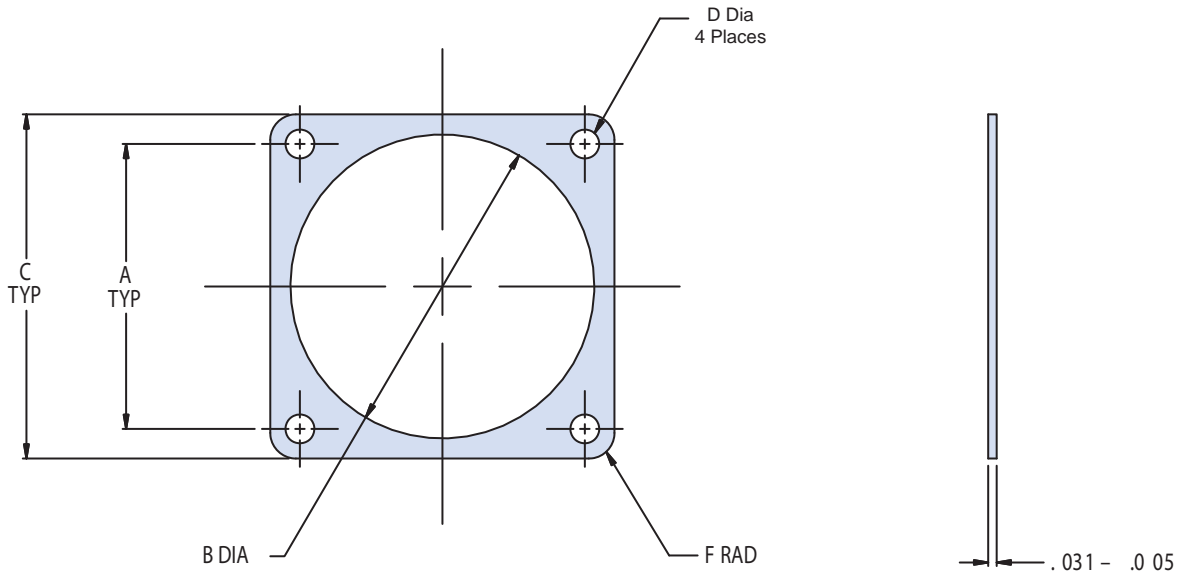




930-006 Wall Mount Receptacle Mounting Gasket for MIL-DTL-28840 Connectors



Also for use with
M28876/180-040 connectors



F

Symbol	Material Description
F	Fluorosilicone
M	Silver Plated Glass Filled Silicone
N	Neoprene

Shell Size	A ± .010	Ø B +.016 -.000	C .016 -.000	Ø D ± .010	F Radius ± .010
11	.750	.750	1.023	.120	.141
13	.843	.875	1.138		
15	.968	1.062	1.258		
17	1.015	1.125	1.383		
19	1.140	1.312	1.508	.147	.188
23	1.281	1.500	1.718		
25	1.392	1.625	1.818		
29	1.568	1.875	2.138	.173	.219
33	1.734	2.062	2.328		

Dimensions in Inches (millimeters) are subject to change without notice.