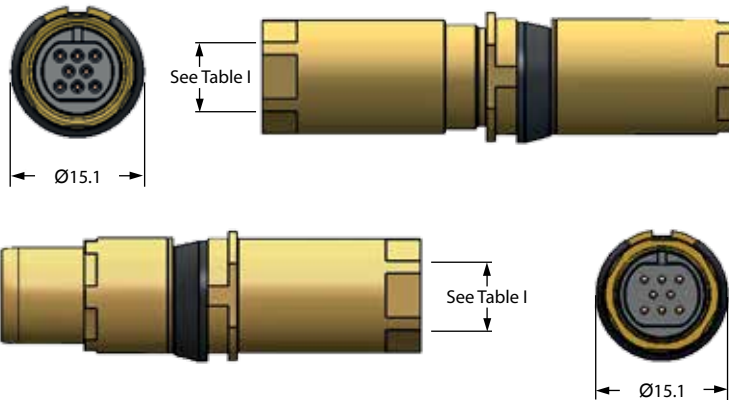


The faster 4/8 pole industrial Ethernet interconnect system

Ethernet CAT 5 contacts

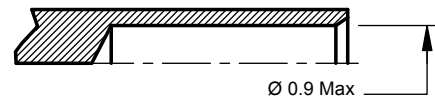


How To Order						
Sample Part Number	Q	0	8	P	-X	B1
Product Series	Q = Octobyte contacts					
Contact Size	0 = Contact size 0					
Number of Contacts	4 = 4 Poles 8 = 8 Poles					
Contact Gender	P = Pin contacts (male) S = Socket contacts (female)					
Cable Range	See Table I					
Plating	B1 = Gold plating					



CONTACT BUCKET DETAIL

Wire Size: AWG 22 - AWG 28



Data Transmission Ethernet Contacts for	Ethernet CAT 5
	Ethernet CAT 5E
	Ethernet CAT 6
	Ethernet CAT 6A
Featuring	Internal crimpable contacts
	Inspectable contact
	Integrated cable clamp
	Low mating force
Technical Characteristics	Current rating 5A max
	Voltage drop (at 5A and 25°C) 70 mV max
Materials and Finish	Copper alloy and gold plating
Inserts	Thermoplastic resin - UL94V0 - EN 45545 - R22, HL1 - HL2

Table I	
Wire Size Type	Cable O.D. Range
A	6-7
B	7-8
C	8-9
D	9-9.6

NOTES

Crimp Tools and Insertion/Removal Tools

- Crimper: 809-015
- Positioner: 809-005
- Standard Insertion/Removal Tool: 809-088 and M.104010