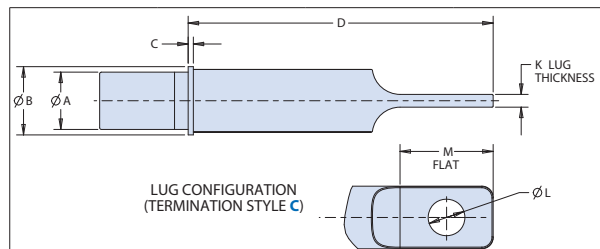
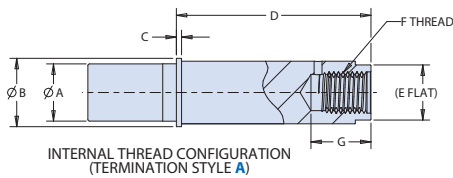


850-324 bus bar/lug socket contacts

HOW TO ORDER			
Sample Part Number	850-324	-0	-A
Basic Part Number	Bus bar/lug socket contacts for PowerLoad connector		
Contact Size	8, 4, 2, 0		
Termination Style	A = Internal thread C = Lug		

SOCKET CONTACT DIMENSIONS

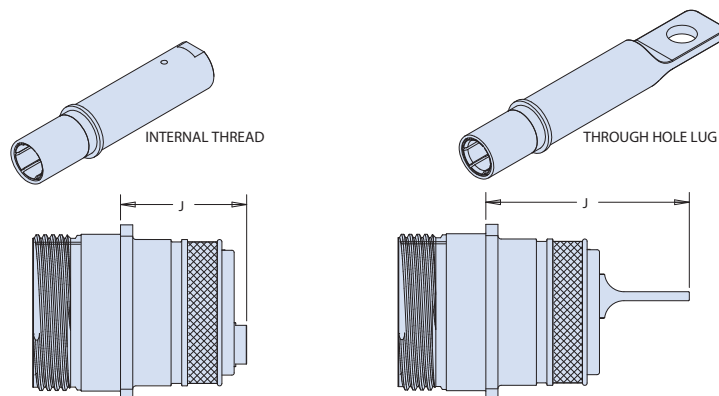


Additional Dimensions for Style C Lug Configuration			
Contact Size	K	ØL	M Flat
0	.115 (2.92)	.330 (8.38)	.836 (21.23)
2	.115 (2.92)	.269 (6.83)	.836 (21.23)
4	.085 (2.16)	.198 (5.03)	.552 (14.02)
8	.075 (1.90)	.173 (4.39)	.468 (11.89)

Part Number	Contact Size	Termination Style	ØA ±.005 (.127)	ØB ±.005 (.127)	C	D	E Flat (ref.)	F Thread	G	H Max.	J ±.025 Sq. Flange
850-324-0-A	0	Internal Thread Style A	.516 (13.11)	.613 (15.57)	.046 (1.17)	1.753 (44.53)	.495 (12.57)	5/16-24 UNF 2B	.539 (13.69)	N/A	1.620 (41.15)
850-324-2-A	2		.420 (10.67)	.505 (12.83)		1.747 (44.37)	.370 (9.40)	1/4-28 UNF 2B	.453 (11.51)		1.495 (37.97)
850-324-4-A	4		.328 (8.33)	.415 (10.54)		1.628 (41.35)	.307 (7.80)	10-32 UNF 2B	.460 (11.68)		1.620 (41.15)
850-324-8-A	8		.250 (6.35)	.305 (7.75)		1.747 (44.37)	.245 (6.22)	8-36 UNF 2B	.407 (10.34)		1.620 (41.15)
850-324-0-C	0	Lug Style C	.516 (13.11)	.613 (15.57)	.046 (1.17)	2.738 (69.55)	N/A	N/A	N/A	N/A	2.605 (66.17)
850-324-2-C	2		.420 (10.67)	.505 (12.83)		2.723 (69.16)					2.596 (65.94)
850-324-4-C	4		.328 (8.33)	.415 (10.54)		2.309 (58.65)					2.176 (55.27)
850-324-8-C	8		.250 (6.35)	.305 (7.75)		2.288 (58.12)					2.161 (54.89)

SUGGESTED HARDWARE TORQUE (Termination style A and B)	
Thread Size	Torque (In-lb.)
5/16-24 UNF	90-140
1/4-28 UNF	60-70
10-32 UNF	20-29
8-36 UNF	11-19

CONNECTOR HOLDING TOOL	
Contact size	Tool P/N
#0	
#2	
#4	
#8	



Contact extension from front of shell flange. 972-012 square flange banding porch housing shown for reference. Orientation of contacts shown for reference. Contacts are not keyed into the insert.

POWERLOAD CONNECTORS - BUS BAR / LUG CONTACTS