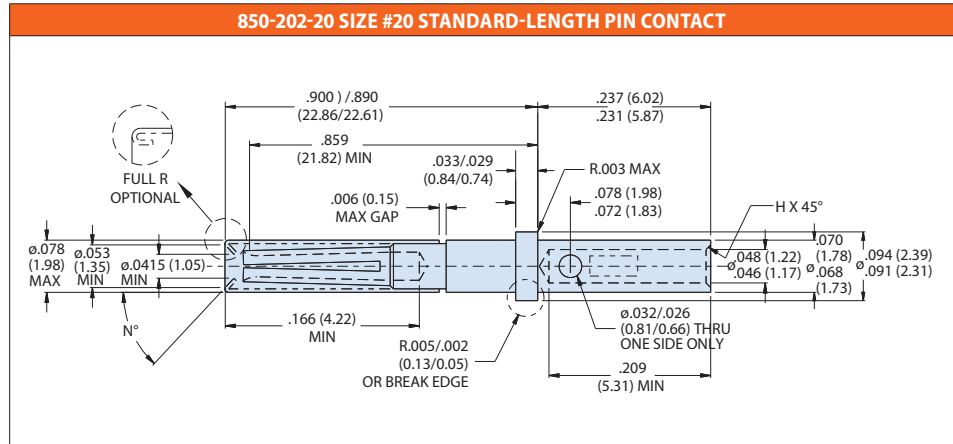


850-347-20 AS39029/56 Type Crimp Socket Contact for Micro-Crimp PowerPlay and SuperNine I and III PowerPlay

CONTACTS



850-347-20 AS39029/56 TYPE CRIMP SOCKET CONTACT



MATERIAL/FINISH

- Contact body: copper alloy / gold plated over nickel (selective plating acceptable).
- Hood: 305 CRES, passivated.

NOTES

- Socket contacts shall meet or exceed the applicable dimensional, electrical and mechanical requirements specified in SAE-AS39029 & AS39029/56 before and after 500 durability cycles.
- Crimp tooling shall be per AS39029/56.