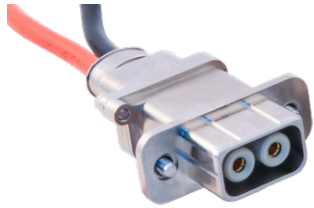




971-010 Micro-Crimp PowerPlay Rectangular Plug with Safe-Touch Crimp-Removable Contacts

MICRO-CRIMP POWERPLAY RECTANGULAR



MATERIAL/FINISH

- Shell: per How to Order Table
- Seal/Grommet: hi-temp silicone rubber
- Contacts: copper alloy / gold with stainless steel Crown Ring and thermoplastic safe-touch tip
- Insulator: hi-temp composite

NOTES

- 971-010 plugs mate with 971-011/-012/-013 receptacles of the same size, layout and the opposite contact gender.
- See contact drawings for crimp and removal tools.
- Electrical performance:
 - DWV: 5000 VAC pin-pin and pin-shell (sea level)
 - Insulation resistance: 5000 megohm min at 500 VDC

FINGER-PROOF CONTACTS		
Size	Pin	Socket
8	Yes	Yes
4	Yes	Yes
2	Yes	Yes
1/0	Yes	No

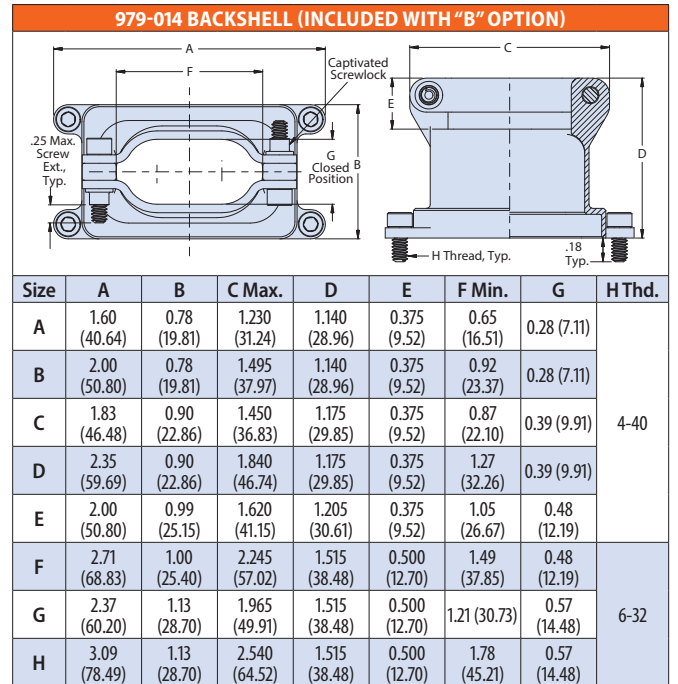
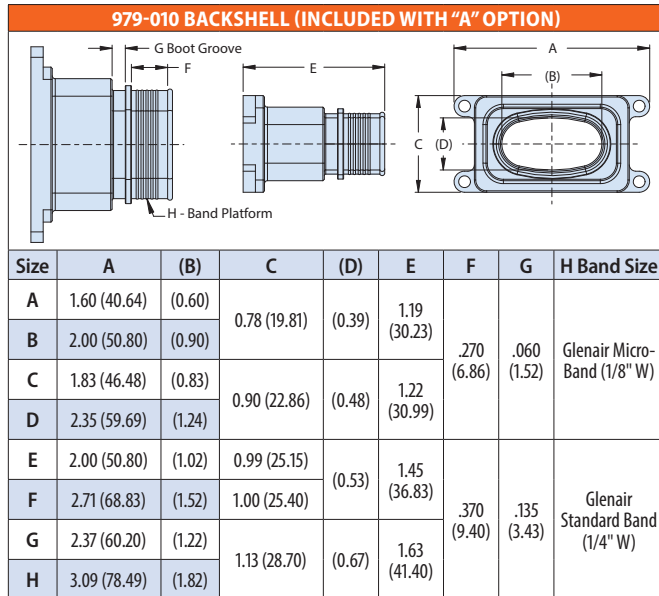
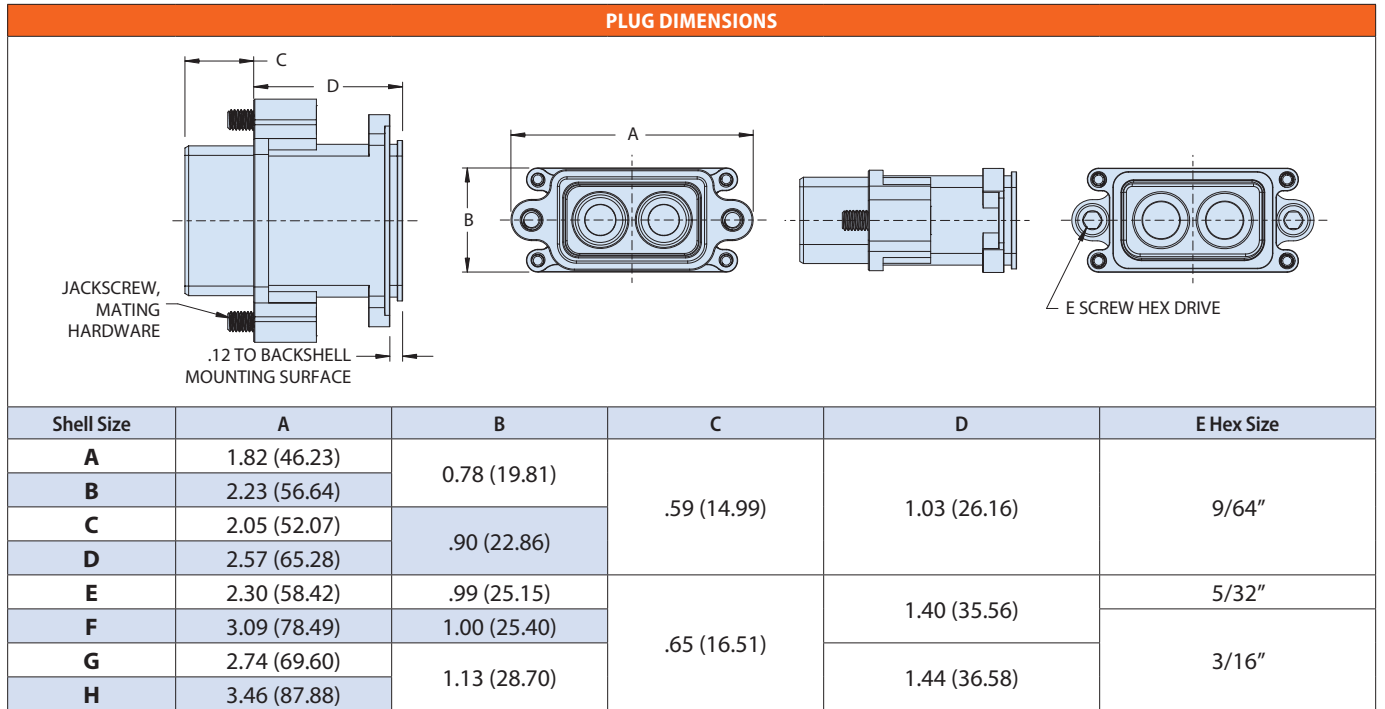
Finger-proof to IEC 60529 Level IP2X (Rated voltages Not exceeding 1,000 VAC or 1500 VDC)

HOW TO ORDER					
Sample Part Number	971-010	-ME	E-2	S	-A
Basic Part Number	Rectangular Plug with Crimp Removable Contacts				
Connector Finish and Material	MT = Aluminum, Nickel-PTFE ME = Aluminum, Electroless Nickel TZ = Aluminum, Tin-Zinc Z1 = Stainless, Passivated				
Shell Size and Insert Arrangement	See Shell Size and Insert Arrangement Table				
Contact Type	See Contact Type Table				
Backshell Style	A = Environmental, with Banding Platform; (P/N 979-010) B = Strain Relief (979-014) Omit = Supplied Without Backshell				

SHELL SIZE / CONTACT ARRANGEMENTS - FACE VIEW, PIN INSERT		
<p>A-2 2X Size #8</p>	<p>B-3 3X Size #8</p>	<p>B-4 2X Size #8 / 2X Size #20</p>
<p>C-2 2X Size #4</p>	<p>D-3 3X Size #4</p>	<p>E-2 2X Size #2</p>
<p>F-3 3X Size #2</p>	<p>G-2 2X Size #0</p>	<p>H-3 3X Size #0</p>

CONNECTOR CONTACT TYPE		
Contact Code	Description	Contact P/N
A	Pin Connector, No Contacts	N/A
P	Pin Connector, Crown Ring Pin Contacts	850-325
	Pin Connector, Crown Ring Pin Contacts and 39029 type Size #20 contacts (insert arrangement B-4 only)	850-325 and 850-202-20
G	Pin Connector, Reduced Crimp Barrel Crown Ring Pin Contacts (for Size #8 and Size #4 contacts only)	850-325
B	Socket Connector, No Contacts	N/A
S	Socket Connector, Crown Ring Socket Contacts	850-326
	Socket Connector, Crown Ring Socket Contacts and 39029 type Size #20 contacts (insert arrangement B-4 only)	850-326 and AS39029/56-351
H	Socket Connector, Reduced Crimp Barrel Crown Ring Socket Contacts (for Size #8 and Size #4 contacts only)	850-326

971-010 Micro-Crimp PowerPlay Rectangular Plug with Safe-Touch Crimp-Removable Contacts



MICRO-CRIMP POWERPLAY RECTANGULAR