

971-012 Rear-Mount Rectangular Receptacle with Lug Contacts

MICRO-CRIMP POWERPLAY RECTANGULAR

MATERIAL/FINISH

- Shell: per How to Order Table
- Seal/Grommet: hi-temp silicone rubber
- Contacts: copper alloy / gold
- Insulator: hi-temp composite

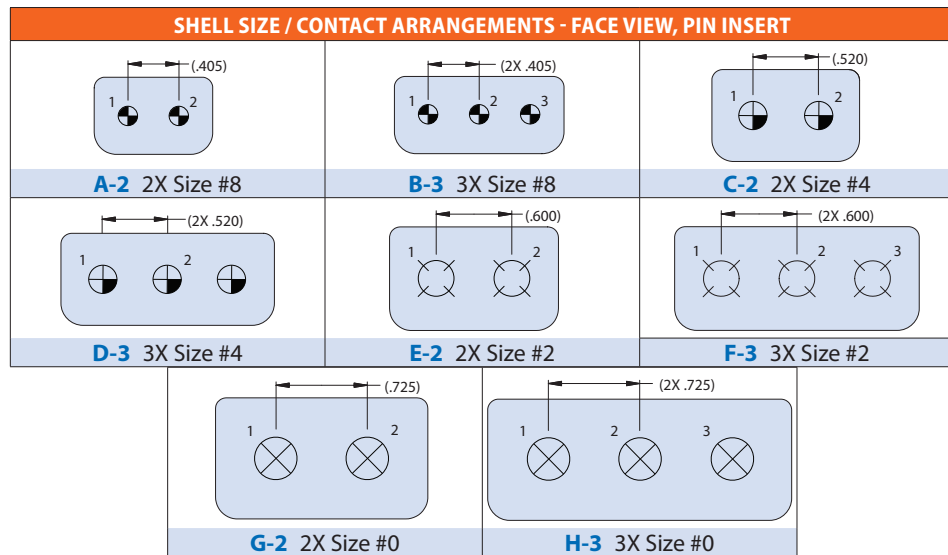
NOTES

- Glenair 971-012 receptacles are designed to mate with 971-010 plugs of the same size, layout and the opposite contact gender.
- Pin contacts with protective tips are finger proof to IEC 60529 level ip2x (rated voltages not exceeding 1,000vac or 1500vdc). Contacts are Glenair high conductivity crown ring contacts.
- Electrical performance:
 - DWV: 5000 VAC pin-pin and pin-shell (sea level)
 - Insulation resistance: 5000 megohm min at 500 VDC

FINGER-PROOF CONTACTS		
Size	Pin	Socket
8	Yes	Yes
4	Yes	Yes
2	Yes	Yes
1/0	Yes	No

Finger-proof to IEC 60529 Level IP2X (Rated voltages Not exceeding 1,000 VAC or 1500 VDC)

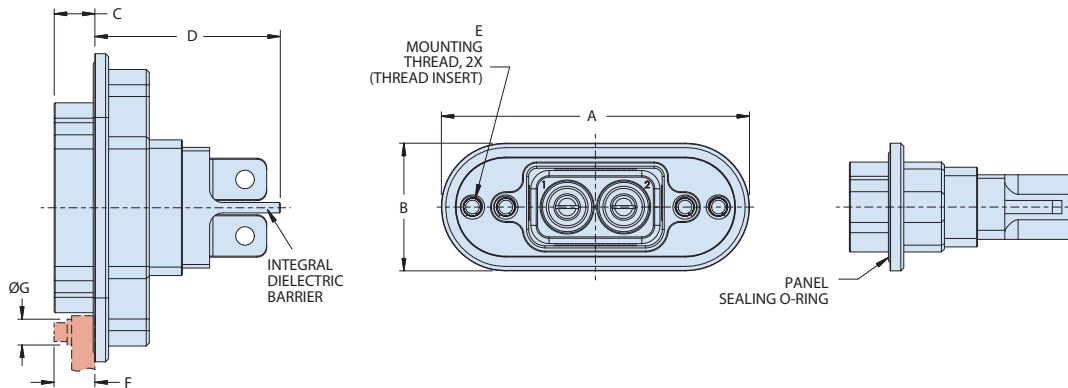
HOW TO ORDER					
Sample Part Number	971-012	-	ME	E-2	P
Basic Part Number	Rear-Mount Rectangular Receptacle with Lug Contacts				
Lug Type	- = Lug with Thru Hole T = Lug with Threaded Insert See Contact Features Table				
Connector Finish and Material	MT = Aluminum, Nickel-PTFE ME = Aluminum, Electroless Nickel TZ = Aluminum, Tin-Zinc Z1 = Stainless, Passivated				
Shell Size and Insert Arrangement	See Shell Size and Insert Arrangement Table				
Contact Type	P = Pins S = Sockets				



CONNECTOR CONTACT TYPE		
Contact Code	Description	Contact P/N
A	Pin Connector, No Contacts	N/A
P	Pin Connector, Crown Ring Pin Contacts	850-325
	Pin Connector, Crown Ring Pin Contacts and 39029 type Size #20 contacts (insert arrangement B-4 only)	850-325 and 850-202-20
G	Pin Connector, Reduced Crimp Barrel Crown Ring Pin Contacts (for Size #8 and Size #4 contacts only)	850-325
B	Socket Connector, No Contacts	N/A
S	Socket Connector, Crown Ring Socket Contacts	850-326
	Socket Connector, Crown Ring Socket Contacts and 39029 type Size #20 contacts (insert arrangement B-4 only)	850-326 and AS39029/56-351
H	Socket Connector, Reduced Crimp Barrel Crown Ring Socket Contacts (for Size #8 and Size #4 contacts only)	850-326

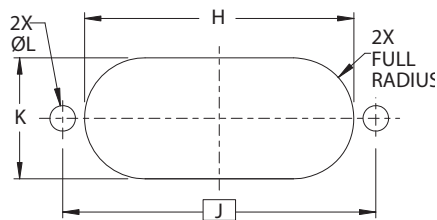
971-012 Rear-Mount Rectangular Receptacle with Lug Contacts

CONNECTOR DIMENSIONS / PANEL CUTOUT



Shell Size	A	B	C	D	E		F (Panel + Mtg. Hardware)	ØG (Screw Head or Washer)
					Thread	Hole Depth		
A	2.73 (69.34)	1.15 (29.21)	.37 (9.40)	1.63 Max	8-32 UNC	.360 (9.14) Min	.350 (8.89) Max	.325 (8.25) Max
B	3.14 (79.76)			1.84 Max				
C	2.96 (75.18)	2.00 Max						
D	3.48 (88.39)			1.86 Max				
E	3.27 (83.06)	1.36 (34.54)	.43 (10.92)	2.00 Max	10-24 UNC	.440 (11.18) Min	.420 (10.67) Max	.375 (9.52) Max
F	4.22 (107.19)	1.37 (34.80)	.57 (14.48)	1.86 Max	1/4-20 UNC	.560 (14.22) Min	.560 (14.22) Min	.490 (12.45) Max
G	3.88 (98.55)	1.50 (38.10)		2.04 Max				
H	4.61 (117.09)							

PANEL CUTOUT



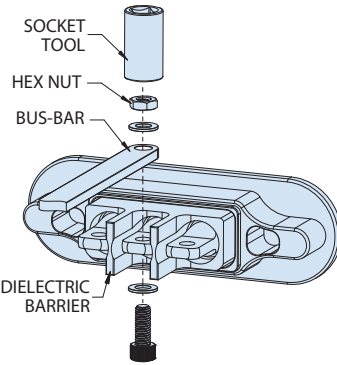
Shell Size	H ±.012	J Basic	K ±.012	ØL ±.004
A	1.782 (45.26)	(2.09)	.776 (19.71)	.173 (4.39)
B	2.187 (55.55)	(2.50)		
C	2.014 (51.16)	(2.32)		
D	2.534 (64.36)	(2.84)	.893 (22.68)	.199 (5.05)
E	2.252 (57.20)	(2.61)	.986 (25.04)	
F	3.026 (76.86)	(3.50)	1.000 (25.40)	.259 (6.58)
G	2.681 (68.10)	(3.16)	1.125 (28.58)	
H	3.406 (86.51)	(3.88)		

MICRO-CRIMP POWERPLAY RECTANGULAR

971-012-Rear Mount Rectangular Receptacle with Lug Contacts

MICRO-CRIMP POWERPLAY RECTANGULAR

BUS-BAR ATTACHMENT, FOR THRU HOLE CONTACTS

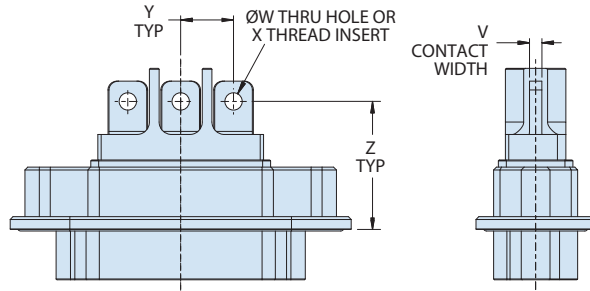


Contact Size	Socket O.D. Max	Hex Nut Size *
8AWG	5/16"	3/16"
4AWG	13/32"	1/4"
2AWG	15/32"	5/16"
1/0	9/16"	5/16" to 3/8"

RECOMMENDED TORQUE FOR CONTACTS WITH THREAD INSERTS

Contact Size	Torque (In-Lb)
8AWG	2.8-3.4
4AWG	11-17
2AWG	20-29
1/0	

CONTACT FEATURES



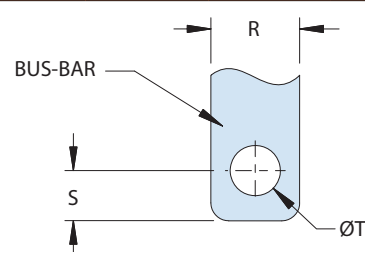
Contact Size	V		ØW	or	X	Y
	Thru Hole	Threaded	Thru Hole ±.005		Insert Thread	
8AWG	(.075)	(.173)	.119		4-40UNC	(.405)
4AWG	(.115)	(.230)	.171		8-32UNC	(.520)
2AWG	(.140)	(.260)	.197		10-32UNF	(.600)
1/0	(.200)			(.725)		

(See p/n development for thru hole or thread insert option)

HOLE TO PANEL DIMENSIONS

Insert Arrangement	Z
A-2	(1.25)
B-3	(1.39)
C-2	
D-3	
E-2	(1.59)
F-3	(1.45)
G-2	(1.42)
H-3	

BUS-BAR DIMENSIONS FOR CONTACT CONNECTION



Contact Size	R	S Basic	T ±.004
8AWG	.250 MAX	.130 MAX	.119
4AWG	.335 MAX	.180 MAX	.171
2AWG	.425 MAX	.260 MAX	.197
1/0	.520 MAX		