

SuperNine Series I Bayonet PowerPlay
390H*055 EMI+Environmental Backshell, Self-Locking

SUPER NINE SERIES I POWERPLAY BAYONET



PROFILE SELECTION GUIDE

<p>S Straight</p>	<p>A 90°</p>
<p>H 45°</p>	<p>M 45°</p>
<p>J 90°</p>	<p>N 90°</p>

Shell Size	A Thread	øB Max
11	M15X1.0-6H	1.06 (26.9)
13	M18X1.0-6H	1.17 (29.7)
15	M22X1.0-6H	1.29 (32.7)
17	M25X1.0-6H	1.42 (36.1)
19	M28X1.0-6H	1.54 (39.1)
21	M31X1.0-6H	1.67 (42.4)
23	M34X1.0-6H	2.01 (51.1)
25	M37X1.0-6H	2.12 (53.8)

HOW TO ORDER

Sample Part Number 390H*055 MT 17 10 D 3

Basic Part Number
 390HS055= Straight
 390HA055= 90° Low Profile
 390HH055= 45° Cut/Weld
 390HJ055= 90° Cut/Weld
 390HM055= 45° Full Radius
 390HN055= 90° Full Radius

Material/Finish
 M = Aluminum/ Electroless Nickel
 MT = Aluminum/ Nickel-PTFE
 NF = Aluminum/ Olive Drab Cadmium
 ZR = Aluminum/ Black Zinc-Nickel
 TZ = Aluminum/ Tin-Zinc
 Z1 = SST/ Passivated (Profiles H, J, M, N, S only)

Shell Size 11, 13, 15, 17, 19, 21, 23, 25

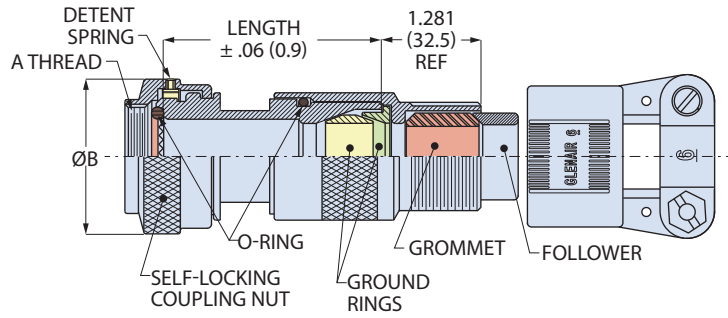
Entry Size

Entry Size	Max. Cable Dia.	Shell Size*
03	.250 (7.9)	09-25
04	.312 (7.9)	11-25
06	.437 (11.1)	13-25
08	.562 (14.3)	15-25
10	.625 (15.9)	15-25
12	.750 (19.1)	17-25

* If selected entry size exceeds shell size range, a Style 2 transition adapter will be included. See Maximum Entry Size for details.

Strain Relief
 H= Saddle Clamp
 D = Nut

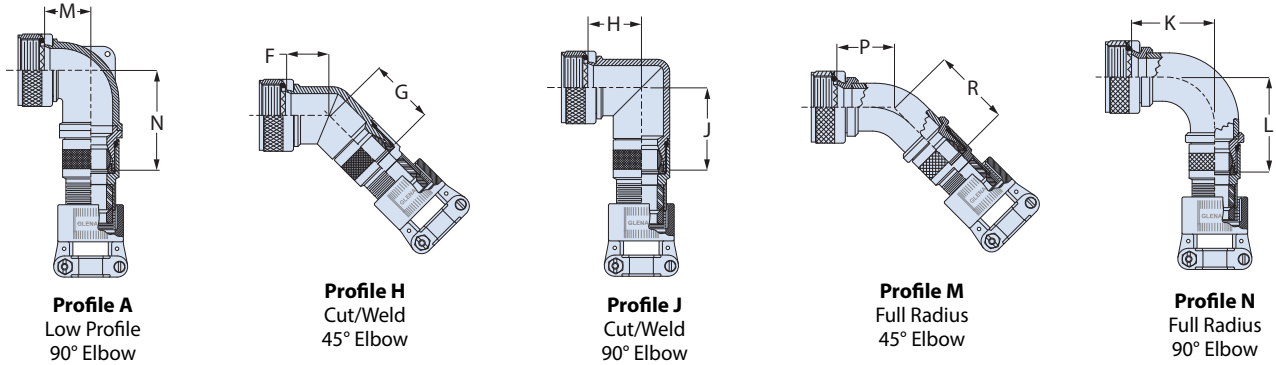
Length
 3 = 1.5 inches
 4 = 2.0 inches
 6 = 3.0 inches
 8 = 4.0 inches
 Applies to Profile S only.
 If Entry Size is greater than "Maximum Entry Size" (see next page), then 2 inch minimum applies.



SuperNine Series I Bayonet PowerPlay
390H*055 EMI+Environmental Backshell, Self-Locking

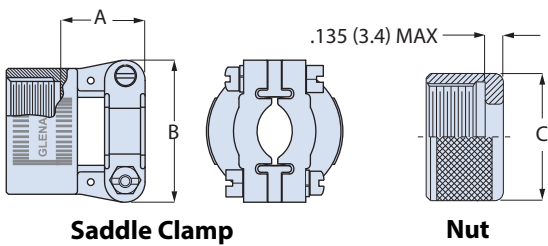
SUPER NINE SERIES I POWERPLAY BAYONET

CONNECTOR DIMENSIONS



Shell Size	F Max	G Max	H Max	J Max	K Max	L Max	M Max	N Max	P Max	R Max
11	.820 (20.8)	1.063 (27.0)	.966 (24.5)	1.217 (30.9)	1.406 (35.7)	1.411 (35.8)	.750 (19.1)	1.990 (50.5)	1.031 (26.2)	1.145 (29.1)
13	.844 (21.4)	1.094 (27.8)	1.026 (26.1)	1.277 (32.4)	1.531 (38.9)	1.537 (39.0)	.765 (19.4)	2.020 (51.3)	1.094 (27.8)	1.195 (30.4)
15	.961 (21.9)	1.119 (28.4)	1.076 (27.3)	1.347 (34.2)	1.656 (42.1)	1.761 (44.7)	.855 (21.7)	2.154 (54.7)	1.156 (29.4)	1.245 (31.6)
17	.888 (22.6)	1.147 (29.1)	1.136 (28.9)	1.407 (35.7)	1.781 (45.2)	1.787 (45.4)	1.040 (26.4)	2.244 (57.0)	1.218 (30.9)	1.300 (33.0)
19	.904 (23.0)	1.157 (29.4)	1.176 (29.9)	1.427 (36.2)	1.906 (48.4)	1.911 (48.5)	1.130 (28.7)	2.414 (61.3)	1.250 (31.8)	1.350 (34.3)
21	.929 (23.6)	1.177 (29.9)	1.236 (31.4)	1.487 (37.8)	2.031 (51.6)	2.037 (51.7)	1.130 (28.7)	2.414 (61.3)	1.312 (33.3)	1.400 (35.6)
23	.956 (24.3)	1.217 (30.9)	1.296 (32.9)	1.567 (39.8)	2.156 (54.8)	2.161 (54.9)	1.280 (32.5)	2.587 (65.7)	1.344 (34.1)	1.455 (37.0)
25	.979 (24.9)	1.247 (31.7)	1.356 (34.4)	1.637 (41.6)	2.281 (57.9)	2.287 (58.1)	1.280 (32.5)	2.587 (65.7)	1.406 (35.7)	1.505 (38.1)

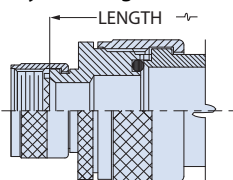
STRAIN RELIEF DIMENSIONS



Entry Size	A Max	B Max	øC Max	Cable Range	
				Min	Max
03	.780 (19.8)	.957 (24.3)	.630 (16.0)	.125 (3.2)	.250 (6.4)
04	.780 (19.8)	.957 (24.3)	.755 (19.2)	.125 (3.2)	.312 (7.9)
06	.780 (19.8)	1.145 (29.1)	.942 (23.9)	.250 (6.4)	.437 (11.1)
08	.780 (19.8)	1.332 (33.8)	1.067 (27.1)	.312 (7.9)	.562 (14.3)
10	.780 (19.8)	1.332 (33.8)	1.192 (30.3)	.350 (8.9)	.625 (15.9)
12	.811 (20.6)	1.551 (39.4)	1.380 (35.1)	.500 (12.7)	.750 (19.1)
16	.905 (23.0)	1.770 (45.0)	1.535 (39.0)	.625 (15.9)	.937 (23.8)
20	1.092 (27.7)	2.113 (53.7)	1.848 (46.9)	.875 (22.2)	1.250 (31.8)
24	1.124 (28.5)	2.363 (60.0)	2.255 (57.3)	1.000 (25.4)	1.375 (34.9)
28	1.399 (35.5)	2.770 (70.4)	2.505 (63.6)	1.250 (31.8)	1.625 (41.3)
32	1.399 (35.5)	3.020 (76.7)	2.755 (70.0)	1.437 (36.5)	1.875 (47.6)

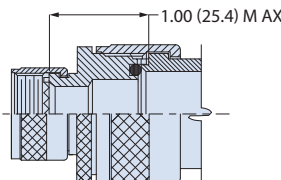
MAXIMUM ENTRY SIZE

Style 2 Straight Backshell*



The minimum length code increases from 3 (1 1/2 inches) to 4 (2 inches).

Style 2 45° and 90° Backshells**



For 45° and 90° backshells, the length increases by 1.00 inches.

If the selected entry size exceeds the maximum size in this table, the backshell will have a front adapter. This is called a Style 2 backshell.

Shell Size	Maximum Entry Size
11	04
13	06
15	10
17	12
19	12
21	16
23	16
25	20