

973-001 SuperNine Series III PowerPlay Triple-Start 07 Jam-Nut Receptacle

SUPERNINE SERIES III POWERPLAY TRIPLE-START



**MATERIAL/FINISH**

- Housing and coupling ring per How to Order Table
- Seal/grommet: silicone blend
- Contacts: copper alloy / gold
- Insulator: High-Temp composite

**NOTES**

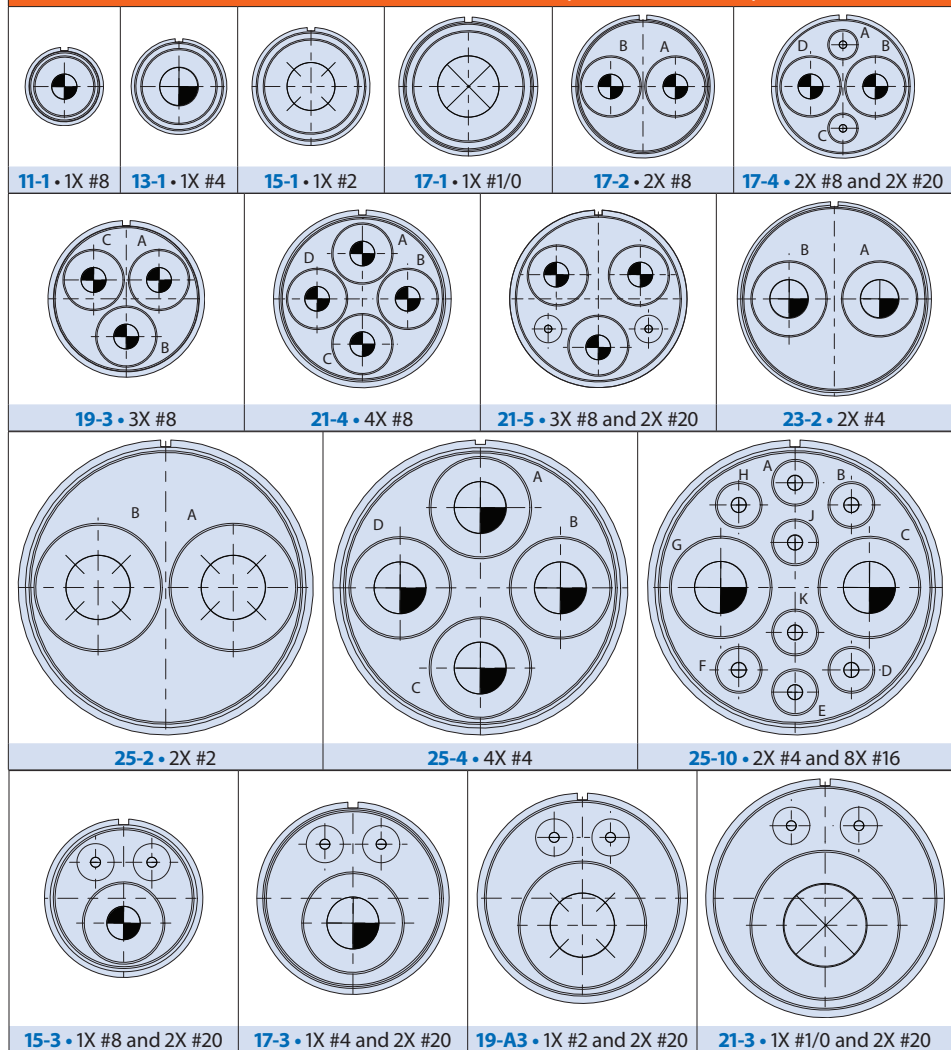
- 973-001 mates with 973-001 of the same size layout, polarization, and opposite gender. Plugs are designed to also mate with 973-002, 973-003, 973-005, and 973-006.
- Standard mounting cutouts and accessory threads / teeth per MIL-DTL-38999 Series III.
- Electrical Performance:
  - DWV: 5000 VAC pin-pin and pin-shell (sea level)
  - Insulation resistance: 5000 megohm min at 500 VDC

**POLARIZATION KEYS AND KEYWAYS**

Shell Size	Polarization Code	Minor Key/Keyway Rotation				
		A°	B°	C°	D°	
11	N	95	141	208	236	
	A	113	156	182	292	
	B	90	145	195	252	
	C	53	156	220	255	
	D	119	146	176	298	
	15	E	51	141	184	242
		F	77	141	220	273
G		66	156	176	236	
N		80	142	196	293	
A		135	170	200	310	
B		49	169	200	244	
C		66	140	200	257	
21	D	62	145	180	280	
	E	79	153	197	272	
25	F	95	150	180	235	
	G	115	157	185	270	

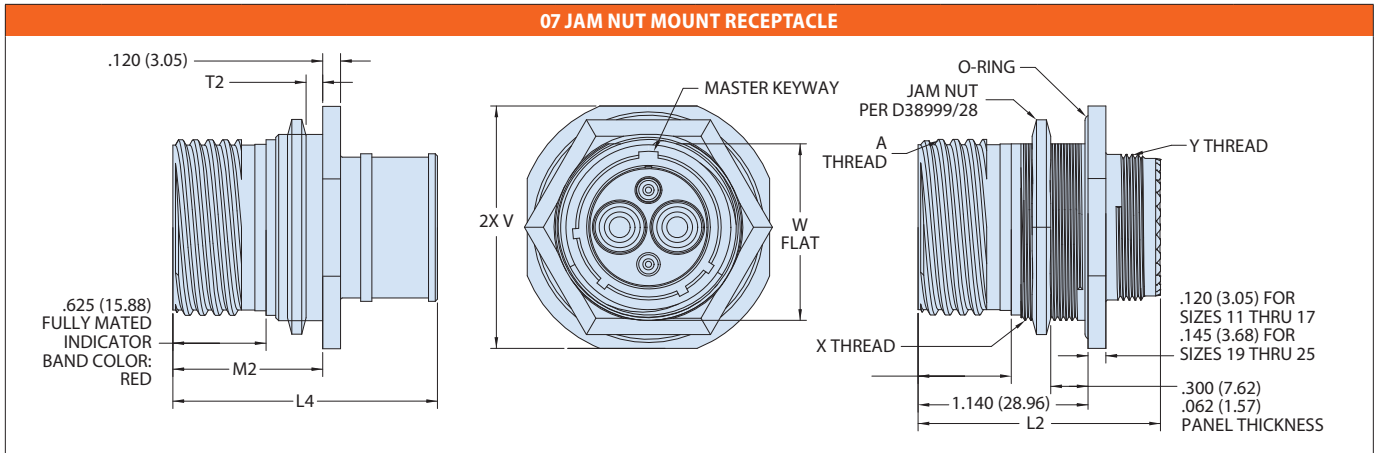
HOW TO ORDER						
<b>Sample Part Number</b>	973-001	-	07	ME	13-1	P N
<b>Basic Part Number</b>	973-001 SuperNine PowerPlay Connector					
<b>Rear Accessory Option</b>	- = Accessory Thread and Teeth B = Banding Porch with Shrink Boot Groove					
<b>Connector Style</b>	07 = Receptacle, Jam Nut					
<b>Connector Material / Finish</b>	NF = Aluminum, CAD/O.D. Over Electroless Nickel MT = Aluminum, Nickel-PTFE ME = Aluminum, Electroless Nickel TZ = Aluminum, Tin Zinc Z1 = Stainless Steel, Passivate					
<b>Size and Layout</b>	See Shell Size / Contact Arrangements Table					
<b>Contact Style</b>	See Contact Style Table					
<b>Polarization</b>	A, B, C, D, E, F, G, N (see Polarization Keys and Keyways table)					

**SHELL SIZE / CONTACT ARRANGEMENTS (FACE OF PIN INSERT)**



973-001 SuperNine Series III PowerPlay Triple-Start 07 Jam-Nut Receptacle

SUPERNINE SERIES III POWERPLAY TRIPLE-START



Shell Size-Contact Arr.	A Thread	U	V	W Flat	X Thread	Y Thread	L2 Max	L4 Max	M1	M2	T2
11-1	.7500-1P-.3L-TS-2A	1.386 (35.20) 1.362 (34.59)	1.268 (32.21) 1.236 (31.39)	0.755 (19.18) 0.745 (18.92)	M20 X 1.0-6g 0.100R	M15 X 1.0-6g 0.100R	1.650 (41.91)	1.800 (45.72)	0.821 (20.85)	1.005 (25.53)	.125-.062 (3.18-1.57)
13-1	.8750-1P-.3L-TS-2A	1.512 (38.40) 1.488 (37.80)	1.390 (35.31) 1.358 (34.49)	0.942 (23.93) 0.932 (23.67)	M25 X 1.0-6g 0.100R	M18 X 1.0-6g 0.100R	1.650 (41.91)	1.800 (45.72)	0.821 (20.85)	1.005 (25.53)	.125-.062 (3.18-1.57)
15-1	1.0000-1P-.3L-TS-2A	1.638 (41.61)	1.516 (38.51)	1.066 (27.08)	M28 X 1.0-6g 0.100R	M22 X 1.0-6g 0.100R	2.000 (50.80)	2.000 (50.80)	0.821 (20.85)	1.140 (28.96)	.300-.062 (7.62-1.57)
15-3		1.614 (41.00)	1.484 (37.69)	1.056 (26.82)			1.650 (41.91)	1.800 (45.72)	0.821 (20.85)	1.005 (25.53)	.125-.062 (3.18-1.57)
17-1	1.1875-1P-.3L-TS-2A	1.764 (44.81) 1.740 (44.20)	1.642 (41.71) 1.610 (40.89)	1.191 (30.25) 1.181 (30.00)	M32 X 1.0-6g 0.100R	M25 X 1.0-6g 0.100R	2.000 (50.80)	2.000 (50.80)	0.821 (20.85)	1.140 (28.96)	.300-.062 (7.62-1.57)
17-2							1.650 (41.91)	1.800 (45.72)	0.821 (20.85)	1.005 (25.53)	.125-.062 (3.18-1.57)
17-3							1.650 (41.91)	1.800 (45.72)	0.821 (20.85)	1.005 (25.53)	.125-.062 (3.18-1.57)
17-4							1.650 (41.91)	1.800 (45.72)	0.821 (20.85)	1.005 (25.53)	.125-.062 (3.18-1.57)
19-3	1.2500-1P-.3L-TS-2A	1.949 (49.50)	1.827 (46.41)	1.316 (33.43)	M35 X 1.0-6g 0.100R	M28 X 1.0-6g 0.100R	1.650 (41.91)	1.800 (45.72)	0.821 (20.85)	1.005 (25.53)	.125-.062 (3.18-1.57)
19-A3		1.925 (48.90)	1.795 (45.59)	1.306 (33.17)			2.000 (50.80)	2.000 (50.80)	0.821 (20.85)	1.140 (28.96)	.300-.062 (7.62-1.57)
21-3	1.3750-1P-.3L-TS-2A	2.075 (52.71)	1.953 (49.61)	1.441 (36.60)	M38 X 1.0-6g 0.100R	M31 X 1.0-6g 0.100R	2.000 (50.80)	2.000 (50.80)	0.791 (20.09)	1.140 (28.96)	.300-.062 (7.62-1.57)
21-4		2.051 (52.10)	1.921 (48.79)	1.431 (36.35)			1.650 (41.91)	1.800 (45.72)	0.791 (20.09)	1.005 (25.53)	.125-.062 (3.18-1.57)
23-2	1.5000-1P-.3L-TS-2A	2.201 (55.91)	2.079 (52.81)	1.566 (39.78)	M41 X 1.0-6g 0.100R	M34 X 1.0-6g 0.100R	1.650 (41.91)	1.800 (45.72)	0.791 (20.09)	1.005 (25.53)	.125-.062 (3.18-1.57)
25-2		2.177 (55.30)	2.047 (51.99)	1.556 (39.52)			2.000 (50.80)	2.000 (50.80)	0.791 (20.09)	1.140 (28.96)	.300-.062 (7.62-1.57)
25-4	1.6250-1P-.3L-TS-2A	2.323 (59.00)	2.205 (56.01)	1.691 (42.95)	M44 X 1.0-6g 0.100R	M37 X 1.0-6g 0.100R	1.650 (41.91)	1.800 (45.72)	0.791 (20.09)	1.005 (25.53)	.125-.062 (3.18-1.57)
25-10		2.299 (58.39)	2.173 (55.19)	1.681 (42.70)			1.650 (41.91)	1.800 (45.72)	0.791 (20.09)	1.005 (25.53)	.125-.062 (3.18-1.57)

WIRE SEALING	
Contact Size	Wire Diameter
20	.040-.083 (1.02-2.11)
16	.065-.109 (1.65-2.77)
8	.209-.277 (5.31-7.04)
4	.323-.391 (8.20-9.93)
2	.400-.477 (10.16-12.12)
0	.486-.572 (12.34-14.53)

FINGER-PROOF CONTACTS		
Size	Pin	Socket
8	Yes	Yes
4	Yes	Yes
2	Yes	Yes
1/0	Yes	No
2/0	No	Yes

Finger-proof to IEC 60529 Level IP2X (Rated voltages Not exceeding 1,000 VAC or 1500 VDC)

CONTACT STYLE		
Code	Description	P/N
A	Pin Connector, No Contacts	
P	Pin Connector, Crown Ring Pin Contacts	850-325
	Pin Connector, Size #4 Crown Ring Pin Contacts and 39029 type Size #16 Pin Contacts (ins. arr. 25-10 only)	850-325 and 850-344-16
	Pin Connector, Size #8 or #4 Crown Ring Pin Contacts and 39029 type #20 Pin Contacts (arr. 17-4, 21-5, 15-3, 17-3)	850-325 and 850-202-20
	Pin Connector, Size #2 or #0 Crown Ring Pin Contacts and 39029 type #20 Pin Contacts (arr. 19-A3, 21-3)	850-325 and 850-346-20
G	Pin Connector, Reduced Crimp Barrel Crown Ring Pin Contacts (for Size #8 and Size #4 contacts only)	850-325
B	Socket Connector, No Contacts	
S	Socket Connector, Crown Ring Socket Contacts	850-326
	Socket Connector, Size #4 Crown Ring Socket Contacts and 39029 type Size #16 Socket Contacts (arr. 25-10 only)	850-326 and 850-309
	Socket Connector, Size #8 or #4 Crown Ring Socket Contacts and 39029 type #20 Socket Contacts (arr. 17-4, 21-5, 15-3, 17-3)	850-326 and AS39029/56-351
	Socket Connector, Size #2 or #0 Crown Ring Socket Contacts and 39029 type #20 Socket Contacts (arr. 19-A3, 21-3)	850-326 and 850-347-20
	Socket Connector, Reduced Crimp Barrel Crown Ring Socket Contacts (for Size #8 and Size #4 contacts only)	850-326
H	Socket Connector, Reduced Crimp Barrel Crown Ring Socket Contacts (for Size #8 and Size #4 contacts only)	850-326

PANEL CUT OUT FOR JAM NUT RECEPTACLE		
Shell Size	Ø AA	BB Flat
11	0.835 (21.21); 0.825 (20.96)	0.771 (19.58); 0.761 (19.33)
13	1.020 (25.91); 1.010 (25.65)	0.955 (24.26); 0.945 (24.00)
15	1.145 (29.08); 1.135 (28.83)	1.085 (27.56); 1.075 (27.30)
17	1.270 (32.26); 1.260 (32.00)	1.210 (30.73); 1.200 (30.48)
19	1.395 (35.43); 1.385 (35.18)	1.335 (33.91); 1.325 (33.65)
21	1.520 (38.61); 1.510 (38.35)	1.460 (37.08); 1.450 (36.83)
23	1.645 (41.78); 1.635 (41.53)	1.585 (40.26); 1.575 (40.00)
25	1.770 (44.96); 1.760 (44.70)	1.710 (43.43); 1.700 (43.18)