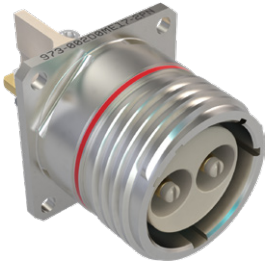


973-002 SuperNine Series III PowerPlay with Lug Style Contact
00, D0, CS Panel-Mount Receptacles

SUPERNINE SERIES III POWERPLAY TRIPLE-START



MATERIAL/FINISH

- Housing and coupling ring per How to Order Table.
- Seal/grommet: silicone blend
- Contacts: copper alloy / gold
- Insulator: hi-temp composite.

NOTES

- 973-002 mates with only 973-001 of the same size, layout, polarization and the opposite gender.
- Connector is supplied with contacts pre-installed.
- Connectors use standard mounting cutouts per MIL-DTL-38999 Series III.
- Electrical Performance:
 - DWV: 5000 VAC pin-pin and pin-shell
 - (Sea level) insulation resistance: 5000 megohm min at 500 VDC
- Customer shall analyze bus-bar design and attachment hardware, to ensure proper clearances are maintained for the intended application (max voltage, environmental conditions, etc.)

FINGER-PROOF CONTACTS

Size	Pin	Socket
8	Yes	Yes
4	Yes	Yes
2	Yes	Yes
1/0	Yes	No
2/0	No	Yes

Finger-proof to IEC 60529 Level IP2X
(Rated voltages Not exceeding 1,000 VAC or 1500 VDC)

HOW TO ORDER

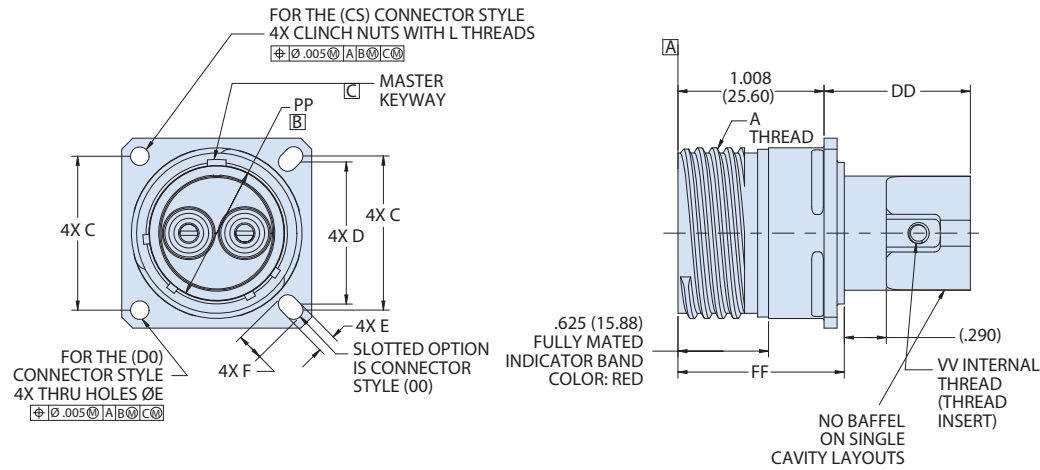
Sample Part Number	973-002 - 00 ME 17-2 P N
Basic Part Number	Receptacle with Lug Style Contact
Lug Type	- = Lug with Thru Hole (See Contact Layouts table for Availability) T = Lug with Threaded Insert
Connector Style	00 = Receptacle, Panel-Mount with Slotted Holes D0 = Receptacle, Panel-Mount with Round Holes CS = Receptacle, Panel-Mount with Standard Clinch Nuts
Connector Finish	NF = Aluminum, CAD/O.D. Over Electroless Nickel MT = Aluminum, Nickel-PTFE Z1 = Stainless, Passivated ME = Aluminum, Electroless Nickel TZ = Aluminum, Tin Zinc
Size and Layout	See Contact Layouts Table
Contact Style	P = Pin S = Socket
Polarization:	A, B, C, D, E, F, G, N (see Polarization Keys and Keyways table)

SHELL SIZE / CONTACT ARRANGEMENTS (FACE OF PIN INSERT)

11-1 • 1X #8	13-1 • 1X #4	15-1 • 1X #2	17-1 • 1X #1/0
17-2 • 2X #8	19-3 • 3X #8	21-4 • 4X #8	
23-2 • 2X #4	25-2 • 2X #2	25-4 • 4X #4	
15-3 • 1X #8 and 2X #20	17-3 • 1X #4 and 2X #20	19-A3 • 1X #2 and 2X #20	21-3 • 1X #1/0 and 2X #20

973-002 SuperNine Series III PowerPlay with Lug Style Contact
00, D0, CS Panel-Mount Receptacles

00, D0 AND CS PANEL-MOUNT AND IN-LINE RECEPTACLES



Shell Size	A Thread	B SQ	B' SQ	C BSC	D BSC	Ø PP	E	F	L Thread	Ø M Max	DD Max.	FF 0.025	VV Thread
11-1	.7500-.1P-.3L-TS-2A	1.043 (26.49) 1.019 (25.88)	1.187 (30.15) 1.147 (29.13)	0.812 (20.62)	0.719 (18.26)	0.447 (11.35) 0.441 (11.20)	0.136 (3.45) 0.120 (3.05)	0.202 (5.13) 0.186 (4.72)	.112-40 UNC-3B	0.984 (24.99)	N/A	1.148 (29.16)	4-40 UNC
13-1	.8750-.1P-.3L-TS-2A	1.138 (28.91) 1.114 (28.30)	1.281 (32.54) 1.241 (31.52)	0.906 (23.01)	0.812 (20.62)	0.687 (17.45) 0.681 (17.30)				1.157 (29.39)	N/A	1.148 (29.16)	8-32 UNC
15-1	1.0000-.1P-.3L-TS-2A	1.232 (31.29) 1.208 (30.68)	1.293 (32.84) 1.253 (31.83)	0.969 (24.61)	0.906 (23.01)	0.812 (20.62) 0.804 (20.42)				1.280 (32.51)	N/A	1.310 (33.27)	10-32 UNF
15-3											N/A	1.148 (29.16)	4-40 UNC
17-1	1.1875-.1P-.3L-TS-2A	1.323 (33.60) 1.299 (32.99)	1.386 (35.20) 1.346 (34.19)	1.062 (26.97)	0.969 (24.61)	0.937 (23.80) 0.930 (23.62)				1.406 (35.71)	N/A	1.310 (33.27)	10-32 UNF
17-2											1.040 (26.42)	1.148 (29.16)	4-40 UNC
17-3											N/A	1.148 (29.16)	8-32 UNC
19-3	1.2500-.1P-.3L-TS-2A	1.449 (36.80) 1.425 (36.20)	1.531 (38.89) 1.491 (37.87)	1.156 (29.36)	1.062 (26.97)	1.042 (26.47) 1.036 (26.31)				1.516 (38.51)	1.040 (26.42)	1.148 (29.16)	4-40 UNC
19-A3											N/A	1.310 (33.27)	10-32 UNF
21-3	1.3750-.1P-.3L-TS-2A	1.575 (40.01) 1.551 (39.40)	1.625 (41.28) 1.585 (40.26)	1.250 (31.75)	1.156 (29.36)	1.167 (29.64) 1.161 (29.49)				1.642 (41.71)	N/A	1.310 (33.27)	10-32 UNF
21-4							1.040 (26.42)	1.148 (29.16)	4-40 UNC				
23-2	1.5000-.1P-.3L-TS-2A	1.701 (43.21) 1.677 (42.60)	1.750 (44.45) 1.710 (43.43)	1.375 (34.93)	1.250 (31.75)	1.295 (32.89) 1.286 (32.66)	0.162 (4.11) 0.146 (3.71)	0.250 (6.35) 0.234 (5.94)	.138-32 UNC-3B	1.768 (44.91)	1.150 (29.21)	1.148 (29.16)	8-32 UNC
25-2	1.6250-.1P-.3L-TS-2A	1.823 (46.30) 1.799 (45.69)	1.875 (47.63) 1.835 (46.61)	1.500 (38.10)	1.375 (34.93)	1.417 (35.99) 1.411 (35.84)				1.890 (48.01)	1.372 (34.85)	1.310 (33.27)	10-32 UNF
25-4											1.150 (29.21)	1.148 (29.16)	8-32 UNC

SUPER NINE SERIES III POWERPLAY TRIPLE-START

973-002 SuperNine Series III PowerPlay with Lug Style Contact
00, D0, CS Panel-Mount Receptacles

SUPERNINE SERIES III POWERPLAY TRIPLE-START

PANEL-MOUNT MOUNTING HOLES						
	Shell Size	Ø N Min.	Ø P Min.	Ø R Holes	S1 Bsc	S2 Bsc
	11	0.796 (20.22)	0.625 (15.88)	0.133 (3.38) 0.123 (3.12)	0.812 (20.62)	0.719 (18.26)
	13	0.922 (23.42)	0.750 (19.05)		0.906 (23.01)	0.812 (20.62)
	15	1.047 (26.59)	0.906 (23.01)		1.062 (26.97)	0.906 (23.01)
	17	1.219 (30.96)	1.016 (25.81)		1.156 (29.36)	0.969 (24.61)
	19	1.297 (32.94)	1.141 (28.98)	1.250 (31.75)	1.062 (26.97)	1.062 (26.97)
	21	1.422 (36.12)	1.266 (32.16)	1.375 (34.92)	1.250 (31.75)	1.156 (29.36)
	23	1.547 (39.29)	1.375 (34.92)	1.500 (38.10)	1.375 (34.92)	1.250 (31.75)
	25	1.672 (42.47)	1.484 (37.69)	1.500 (38.10)	1.500 (38.10)	1.375 (34.92)

HARDWARE AND BUS-BAR (SHOWN FOR REFERENCE)

CONTACT POTTED IN THIS POSITION FOR 11-1, 13-1, 15-1, 17-1, 15-3, 17-3, 19-A3, AND 21-3

CONTACT POTTED IN THIS POSITION FOR LAYOUT 19-3

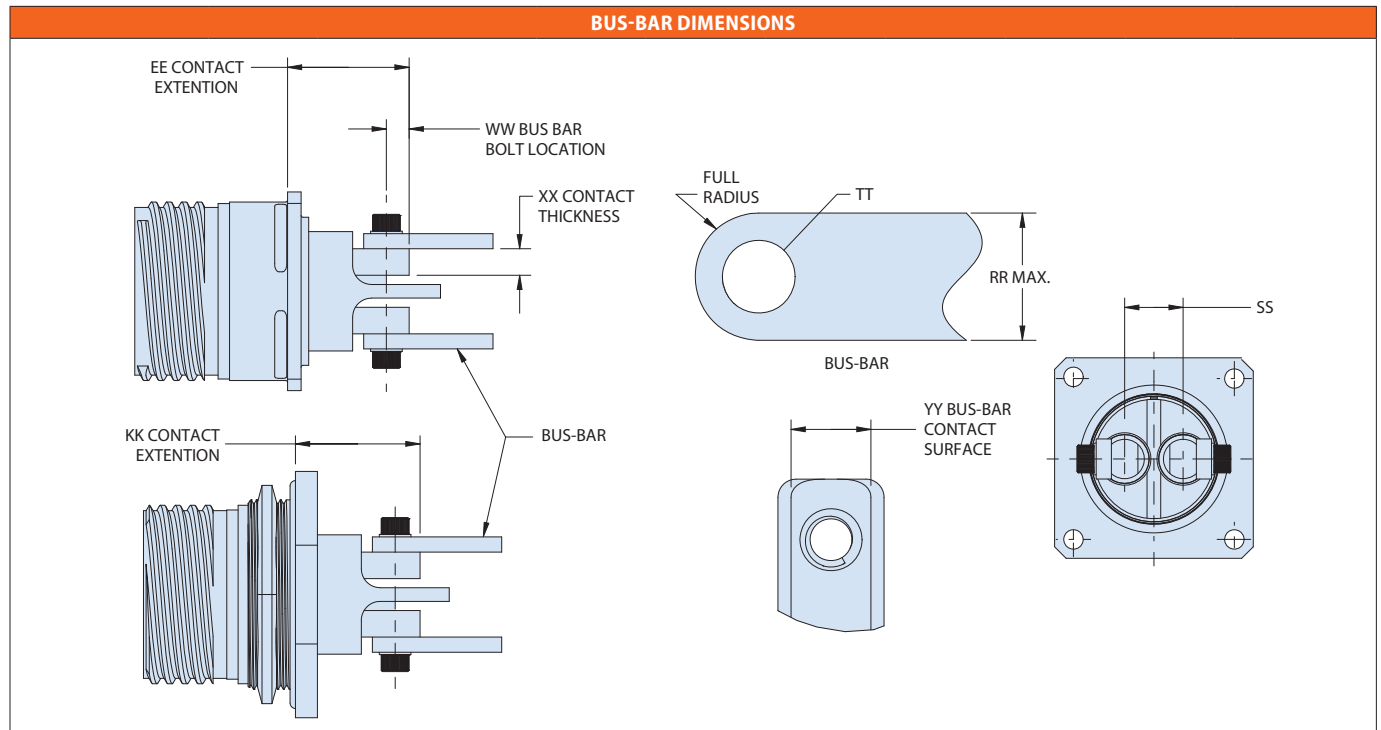
CONTACT POTTED IN THIS POSITION FOR LAYOUT 17-2, 23-2 AND 25-2

CONTACT POTTED IN THIS POSITION FOR LAYOUT 21-4 AND 25-4

POLARIZATION KEYS AND KEYWAYS

Shell Size	Polarization Code	Minor Key/Keyway Rotation			
		A°	B°	C°	D°
11	N	95	141	208	236
	A	113	156	182	292
	B	90	145	195	252
	C	53	156	220	255
13	D	119	146	176	298
	E	51	141	184	242
15	F	77	141	220	273
	G	66	156	176	236
	N	80	142	196	293
17	A	135	170	200	310
	B	49	169	200	244
19	C	66	140	200	257
	D	62	145	180	280
21	E	79	153	197	272
	F	95	150	180	235
23	G	115	157	185	270
	N	80	142	196	293
25	A	135	170	200	310
	B	49	169	200	244

973-002 SuperNine Series III PowerPlay with Lug Style Contact
00, D0, CS Panel-Mount Receptacles



Shell Size	EE ±.015	KK ±.015	RR Max	TT ±.005	WW	XX		YY ±.015		SS	Rec. Torque in Lbs
						Threaded Insert	Thru Hole	Threaded Insert	Thru Hole		
11-1	0.803 (20.40)	0.808 (20.52)	0.265 (6.73)	0.119 (3.02)	0.150 (3.81)	0.173 (4.39)	0.075 (1.90)	0.192 (4.88)	0.249 (6.32)	N/A	2.85-3.35
13-1	0.896 (22.76)	0.901 (22.89)	0.385 (9.78)	0.171 (4.34)	0.200 (5.08)	0.230 (5.84)	0.085 (2.16)	0.264 (6.71)	0.340 (8.64)	N/A	11-17
15-1	1.193 (30.30)	1.044 (26.52)	0.475 (12.07)	0.197 (5.00)	0.230 (5.84)	0.260 (6.60)	0.085 (2.16)	0.367 (9.32)	0.442 (11.23)	N/A	20-29
15-3	0.803 (20.40)	0.808 (20.52)	0.265 (6.73)	0.119 (3.02)	0.150 (3.81)	0.173 (4.39)	0.075 (1.90)	0.192 (4.88)	0.249 (6.32)	N/A	2.85-3.35
17-1	1.193 (30.30)	1.044 (26.52)	0.595 (15.11)	0.197 (5.00)	0.230 (5.84)	0.260 (6.60)	0.085 (2.16)	0.484 (12.29)	0.543 (13.79)	N/A	20-29
17-2	0.803 (20.40)	0.808 (20.52)	0.265 (6.73)	0.119 (3.02)	0.150 (3.81)	0.173 (4.39)	0.075 (1.90)	0.192 (4.88)	0.249 (6.32)	0.386 (9.80)	2.85-3.35
17-3	0.896 (22.76)	0.901 (22.89)	0.385 (9.78)	0.171 (4.34)	0.200 (5.08)	0.230 (5.84)	0.085 (2.16)	0.264 (6.71)	0.340 (8.64)	N/A	11-17
19-3	0.803 (20.40)	0.808 (20.52)	0.265 (6.73)	0.119 (3.02)	0.150 (3.81)	0.173 (4.39)	0.075 (1.90)	0.192 (4.88)	0.249 (6.32)	0.390 (9.91)	2.85-3.35
19-A3	1.193 (30.30)	1.044 (26.52)	0.475 (12.07)	0.197 (5.00)	0.230 (5.84)	0.260 (6.60)	0.085 (2.16)	0.367 (9.32)	0.442 (11.23)	N/A	20-29
21-3	1.193 (30.30)	1.044 (26.52)	0.595 (15.11)	0.197 (5.00)	0.230 (5.84)	0.260 (6.60)	0.085 (2.16)	0.484 (12.29)	0.543 (13.79)	N/A	20-29
21-4	0.803 (20.40)	0.808 (20.52)	0.265 (6.73)	0.119 (3.02)	0.150 (3.81)	0.173 (4.39)	0.075 (1.90)	0.192 (4.88)	0.249 (6.32)	0.381 (9.68)	2.85-3.35
23-2	0.896 (22.76)	0.901 (22.89)	0.385 (9.78)	0.171 (4.34)	0.200 (5.08)	0.230 (5.84)	0.085 (2.16)	0.264 (6.71)	0.340 (8.64)	0.540 (13.72)	11-17
25-2	1.193 (30.30)	1.044 (26.52)	0.475 (12.07)	0.197 (5.00)	0.230 (5.84)	0.260 (6.60)	0.085 (2.16)	0.367 (9.32)	0.442 (11.23)	0.600 (15.24)	20-29
25-4	0.896 (22.76)	0.901 (22.89)	0.385 (9.78)	0.171 (4.34)	0.200 (5.08)	0.230 (5.84)	0.085 (2.16)	0.264 (6.71)	0.340 (8.64)	0.503 (12.78)	11-17

SUPERNINE SERIES III POWERPLAY TRIPLE-START