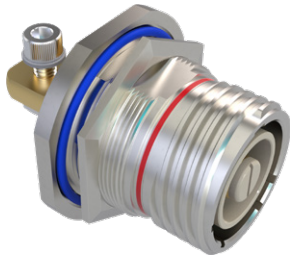


973-002 SuperNine Series III PowerPlay with Lug Style Contact 07 Jam-Nut Mount Receptacle

SUPERNINE SERIES III POWERPLAY TRIPLE-START



MATERIAL/FINISH

- Housing and coupling ring per How to Order Table.
- Seal/Grommet: silicone blend
- Contacts: copper alloy / gold
- Insulator: hi-temp composite.

NOTES

- 973-002 mates with only 973-001 of the same size, layout, polarization and the opposite gender.
- Connector is supplied with contacts pre-installed.
- Connectors use standard mounting cutouts per MIL-DTL-38999 Series III.
- Electrical Performance:
 - DWV: 5000 VAC pin-pin and pin-shell
 - (Sea level) insulation resistance: 5000 megohm min at 500 VDC
- Customer shall analyze bus-bar design and attachment hardware, to ensure proper clearances are maintained for the intended application (max voltage, environmental conditions, etc.)

| FINGER-PROOF CONTACTS | | |
|-----------------------|-----|--------|
| Size | Pin | Socket |
| 8 | Yes | Yes |
| 4 | Yes | Yes |
| 2 | Yes | Yes |
| 1/0 | Yes | No |
| 2/0 | No | Yes |

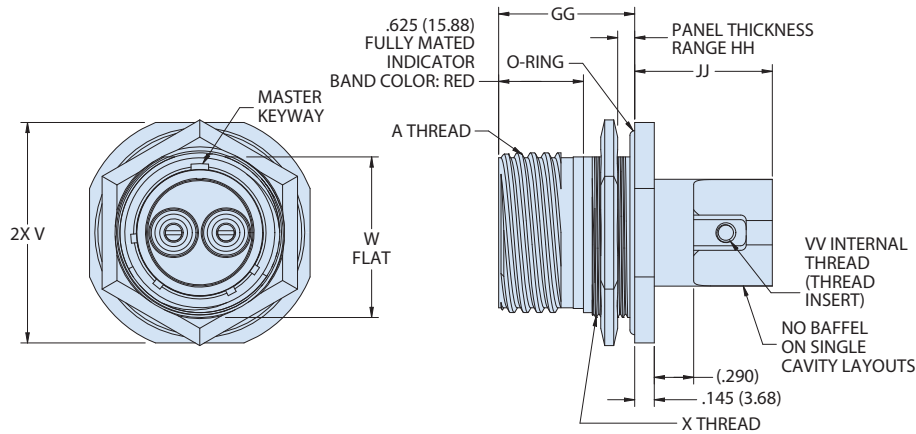
Finger-proof to IEC 60529 Level IP2X
(Rated voltages Not exceeding 1,000 VAC or 1500 VDC)

| HOW TO ORDER | | | | | | | |
|---------------------------|---|---|----|----|------|---|---|
| Sample Part Number | 973-002 | - | 07 | ME | 17-2 | P | N |
| Basic Part Number | Receptacle with Lug Style Contact | | | | | | |
| Lug Type | - = Lug with Thru Hole (See Contact Layouts table for Availability) T = Lug with Threaded Insert | | | | | | |
| Connector Style | 07 = Receptacle, Jam Nut | | | | | | |
| Connector Finish | NF = Aluminum, CAD/O.D. Over Electroless Nickel MT = Aluminum, Nickel-PTFE Z1 = Stainless, Passivated ME = Aluminum, Electroless Nickel TZ = Aluminum, Tin Zinc | | | | | | |
| Size and Layout | See Contact Layouts Table | | | | | | |
| Contact Style | P = Pin S = Socket | | | | | | |
| Polarization: | A, B, C, D, E, F, G, N (see Polarization Keys and Keyways table) | | | | | | |

| SHELL SIZE / CONTACT ARRANGEMENTS (FACE OF PIN INSERT) | | | |
|--|-------------------------|--------------------------|---------------------------|
| | | | |
| 11-1 • 1X #8 | 13-1 • 1X #4 | 15-1 • 1X #2 | 17-1 • 1X #1/0 |
| | | | |
| 17-2 • 2X #8 | 19-3 • 3X #8 | 21-4 • 4X #8 | |
| | | | |
| 23-2 • 2X #4 | 25-2 • 2X #2 | 25-4 • 4X #4 | |
| | | | |
| 15-3 • 1X #8 and 2X #20 | 17-3 • 1X #4 and 2X #20 | 19-A3 • 1X #2 and 2X #20 | 21-3 • 1X #1/0 and 2X #20 |

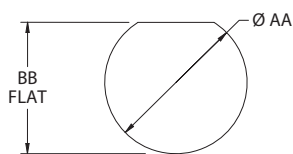
973-002 SuperNine Series III PowerPlay with Lug Style Contact
07 Jam-Nut Mount Receptacle

07 JAM-NUT MOUNT RECEPTACLE



| Shell Size | A Thread | Ø U | V | W Flat | X Thread | GG .005 | HH | JJ Max. | VV Thread |
|--------------|----------------------|--------------------------------|--------------------------------|--------------------------------|---------------------|---------------|----------------------------|---------------|-----------|
| 11-1 | .7500-.1P-.3L-TS-2A | 1.386 (35.20) 1.362 (34.59) | 1.268 (32.21) 1.236 (31.39) | 0.755 (19.18) 0.745 (18.92) | M20 X 1.0-6g 0.100R | 1.003 (25.48) | 0.135 (3.43); 0.062 (1.57) | N/A | 4-40 UNC |
| 13-1 | .8750-.1P-.3L-TS-2A | 1.512 (38.40) 1.488 (37.80) | 1.390 (35.31) 1.358 (34.49) | 0.942 (23.93) 0.932 (23.67) | M25 X 1.0-6g 0.100R | 1.003 (25.48) | 0.135 (3.43) 0.062 (1.57) | N/A | 8-32 UNC |
| 15-1 | 1.0000-.1P-.3L-TS-2A | 1.638 (41.61) | 1.516 (38.51) | 1.066 (27.08) | M28 X 1.0-6g 0.100R | 1.157 (29.39) | 0.300 (7.62) 0.062 (1.57) | N/A | 10-32 UNF |
| 15-3 | | 1.614 (41.00) | 1.484 (37.69) | 1.056 (26.82) | | 1.003 (25.48) | 0.135 (3.43) 0.062 (1.57) | N/A | 4-40 UNC |
| 17-1 | 1.1875-.1P-.3L-TS-2A | 1.764 (44.81) | 1.642 (41.71) | 1.191 (30.25) | M32 X 1.0-6g 0.100R | 1.157 (29.39) | 0.300 (7.62) 0.062 (1.57) | N/A | 10-32 UNF |
| 17-2 | | 1.740 (44.20) | 1.610 (40.89) | 1.181 (30.00) | | 1.003 (25.48) | 0.135 (3.43) 0.062 (1.57) | 1.045 (26.54) | 4-40 UNC |
| 17-3 | | | | | | 1.003 (25.48) | 0.135 (3.43) 0.062 (1.57) | N/A | 8-32 UNC |
| 19-3 | 1.2500-.1P-.3L-TS-2A | 1.949 (49.50) | 1.827 (46.41) | 1.316 (33.43) | M35 X 1.0-6g 0.100R | 1.003 (25.48) | 0.135 (3.43) 0.062 (1.57) | 1.045 (26.54) | 4-40 UNC |
| 19-A3 | | 1.925 (48.90) | 1.795 (45.59) | 1.306 (33.17) | | 1.157 (29.39) | 0.300 (7.62) 0.062 (1.57) | N/A | 10-32 UNF |
| 21-3 | 1.3750-.1P-.3L-TS-2A | 2.075 (52.71) | 1.953 (49.61) | 1.441 (36.60) | M38 X 1.0-6g 0.100R | 1.157 (29.39) | 0.300 (7.62) 0.062 (1.57) | N/A | 10-32 UNF |
| 21-4 | | 2.051 (52.10) | 1.921 (48.79) | 1.431 (36.35) | | 1.003 (25.48) | 0.135 (3.43) 0.062 (1.57) | 1.045 (26.54) | 4-40 UNC |
| 23-2 | 1.5000-.1P-.3L-TS-2A | 2.201 (55.91) 2.177 (55.30) | 2.079 (52.81) 2.047 (51.99) | 1.566 (39.78) 1.556 (39.52) | M41 X 1.0-6g 0.100R | 1.003 (25.48) | 0.135 (3.43) 0.062 (1.57) | 1.155 (29.34) | 8-32 UNC |
| 25-2 | 1.6250-.1P-.3L-TS-2A | 2.323 (59.00) | 2.205 (56.01) | 1.691 (42.95) | M44 X 1.0-6g 0.100R | 1.157 (29.39) | 0.300 (7.62) 0.062 (1.57) | 1.223 (31.06) | 10-32 UNF |
| 25-4 | | 2.299 (58.39) | 2.173 (55.19) | 1.681 (42.70) | | 1.003 (25.48) | 0.135 (3.43) 0.062 (1.57) | 1.155 (29.34) | 8-32 UNC |

JAM NUT CUT OUT



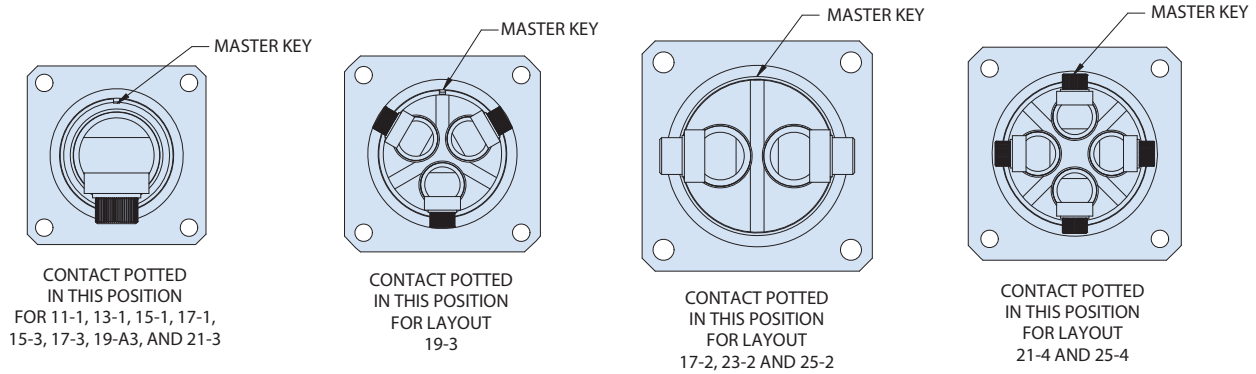
| Shell Size | Ø AA | BB Flat |
|------------|------------------------------|------------------------------|
| 11 | 0.835 (21.21); 0.825 (20.96) | 0.771 (19.58); 0.761 (19.33) |
| 13 | 1.020 (25.91); 1.010 (25.65) | 0.955 (24.26); 0.945 (24.00) |
| 15 | 1.145 (29.08); 1.135 (28.83) | 1.085 (27.56); 1.075 (27.30) |
| 17 | 1.270 (32.26); 1.260 (32.00) | 1.210 (30.73); 1.200 (30.48) |
| 19 | 1.395 (35.43); 1.385 (35.18) | 1.335 (33.91); 1.325 (33.65) |
| 21 | 1.520 (38.61); 1.510 (38.35) | 1.460 (37.08); 1.450 (36.83) |
| 23 | 1.645 (41.78); 1.635 (41.53) | 1.585 (40.26); 1.575 (40.00) |
| 25 | 1.770 (44.96); 1.760 (44.70) | 1.710 (43.43); 1.700 (43.18) |

SUPER NINE SERIES III POWERPLAY TRIPLE-START

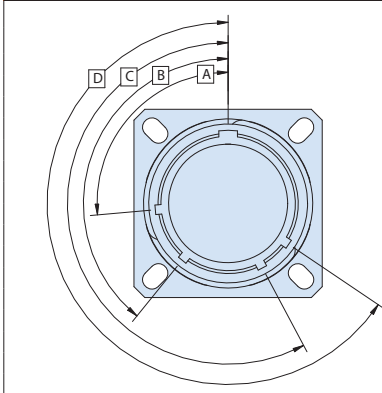
973-002 SuperNine Series III PowerPlay with Lug Style Contact
07 Jam-Nut Mount Receptacle

SUPER NINE SERIES III POWERPLAY TRIPLE-START

HARDWARE AND BUS-BAR (SHOWN FOR REFERENCE)

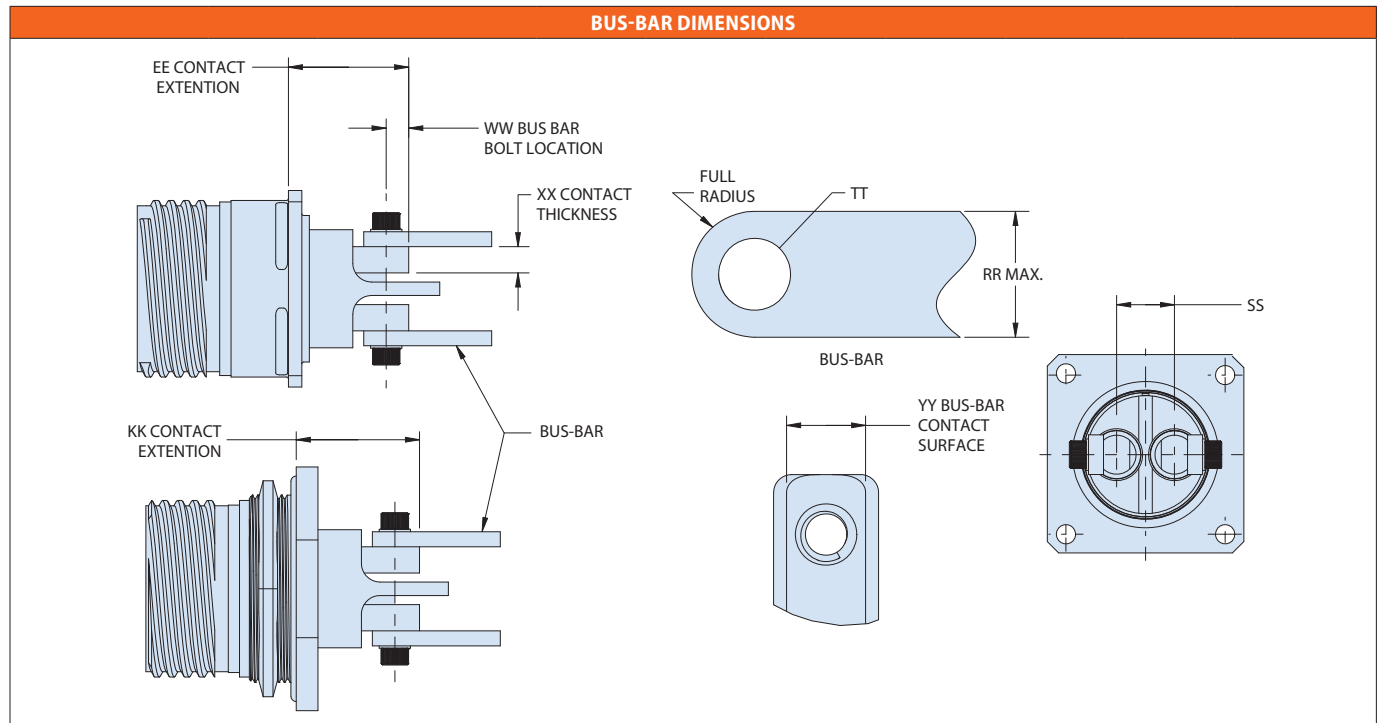


POLARIZATION KEYS AND KEYWAYS



| Shell Size | Polarization Code | Minor Key/Keyway Rotation | | | |
|------------|-------------------|---------------------------|-----|-----|-----|
| | | A° | B° | C° | D° |
| 11 | N | 95 | 141 | 208 | 236 |
| | A | 113 | 156 | 182 | 292 |
| | B | 90 | 145 | 195 | 252 |
| | C | 53 | 156 | 220 | 255 |
| 13 | D | 119 | 146 | 176 | 298 |
| | E | 51 | 141 | 184 | 242 |
| 15 | F | 77 | 141 | 220 | 273 |
| | G | 66 | 156 | 176 | 236 |
| | N | 80 | 142 | 196 | 293 |
| 17 | A | 135 | 170 | 200 | 310 |
| 19 | B | 49 | 169 | 200 | 244 |
| | C | 66 | 140 | 200 | 257 |
| 21 | D | 62 | 145 | 180 | 280 |
| 23 | E | 79 | 153 | 197 | 272 |
| | F | 95 | 150 | 180 | 235 |
| 25 | G | 115 | 157 | 185 | 270 |

973-002 SuperNine Series III PowerPlay with Lug Style Contact
07 Jam-Nut Mount Receptacle



| Shell Size | EE ±.015 | KK ±.015 | RR Max | TT ±.005 | WW | XX | | YY ± .015 | | SS | Rec. Torque in Lbs |
|------------|------------------|------------------|------------------|-----------------|-----------------|-----------------|-----------------|------------------|------------------|------------------|--------------------|
| | | | | | | Threaded Insert | Thru Hole | Threaded Insert | Thru Hole | | |
| 11-1 | 0.803 (20.40) | 0.808 (20.52) | 0.265 (6.73) | 0.119 (3.02) | 0.150 (3.81) | 0.173 (4.39) | 0.075 (1.90) | 0.192 (4.88) | 0.249 (6.32) | N/A | 2.85-3.35 |
| 13-1 | 0.896 (22.76) | 0.901 (22.89) | 0.385 (9.78) | 0.171 (4.34) | 0.200 (5.08) | 0.230 (5.84) | 0.085 (2.16) | 0.264 (6.71) | 0.340 (8.64) | N/A | 11-17 |
| 15-1 | 1.193 (30.30) | 1.044 (26.52) | 0.475 (12.07) | 0.197 (5.00) | 0.230 (5.84) | 0.260 (6.60) | 0.085 (2.16) | 0.367 (9.32) | 0.442 (11.23) | N/A | 20-29 |
| 15-3 | 0.803 (20.40) | 0.808 (20.52) | 0.265 (6.73) | 0.119 (3.02) | 0.150 (3.81) | 0.173 (4.39) | 0.075 (1.90) | 0.192 (4.88) | 0.249 (6.32) | N/A | 2.85-3.35 |
| 17-1 | 1.193 (30.30) | 1.044 (26.52) | 0.595 (15.11) | 0.197 (5.00) | 0.230 (5.84) | 0.260 (6.60) | 0.085 (2.16) | 0.484 (12.29) | 0.543 (13.79) | N/A | 20-29 |
| 17-2 | 0.803 (20.40) | 0.808 (20.52) | 0.265 (6.73) | 0.119 (3.02) | 0.150 (3.81) | 0.173 (4.39) | 0.075 (1.90) | 0.192 (4.88) | 0.249 (6.32) | 0.386 (9.80) | 2.85-3.35 |
| 17-3 | 0.896 (22.76) | 0.901 (22.89) | 0.385 (9.78) | 0.171 (4.34) | 0.200 (5.08) | 0.230 (5.84) | 0.085 (2.16) | 0.264 (6.71) | 0.340 (8.64) | N/A | 11-17 |
| 19-3 | 0.803 (20.40) | 0.808 (20.52) | 0.265 (6.73) | 0.119 (3.02) | 0.150 (3.81) | 0.173 (4.39) | 0.075 (1.90) | 0.192 (4.88) | 0.249 (6.32) | 0.390 (9.91) | 2.85-3.35 |
| 19-A3 | 1.193 (30.30) | 1.044 (26.52) | 0.475 (12.07) | 0.197 (5.00) | 0.230 (5.84) | 0.260 (6.60) | 0.085 (2.16) | 0.367 (9.32) | 0.442 (11.23) | N/A | 20-29 |
| 21-3 | 1.193 (30.30) | 1.044 (26.52) | 0.595 (15.11) | 0.197 (5.00) | 0.230 (5.84) | 0.260 (6.60) | 0.085 (2.16) | 0.484 (12.29) | 0.543 (13.79) | N/A | 20-29 |
| 21-4 | 0.803 (20.40) | 0.808 (20.52) | 0.265 (6.73) | 0.119 (3.02) | 0.150 (3.81) | 0.173 (4.39) | 0.075 (1.90) | 0.192 (4.88) | 0.249 (6.32) | 0.381 (9.68) | 2.85-3.35 |
| 23-2 | 0.896 (22.76) | 0.901 (22.89) | 0.385 (9.78) | 0.171 (4.34) | 0.200 (5.08) | 0.230 (5.84) | 0.085 (2.16) | 0.264 (6.71) | 0.340 (8.64) | 0.540 (13.72) | 11-17 |
| 25-2 | 1.193 (30.30) | 1.044 (26.52) | 0.475 (12.07) | 0.197 (5.00) | 0.230 (5.84) | 0.260 (6.60) | 0.085 (2.16) | 0.367 (9.32) | 0.442 (11.23) | 0.600 (15.24) | 20-29 |
| 25-4 | 0.896 (22.76) | 0.901 (22.89) | 0.385 (9.78) | 0.171 (4.34) | 0.200 (5.08) | 0.230 (5.84) | 0.085 (2.16) | 0.264 (6.71) | 0.340 (8.64) | 0.503 (12.78) | 11-17 |

SUPER NINE SERIES III POWERPLAY TRIPLE-START