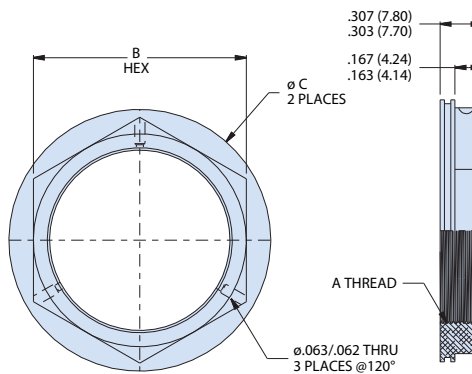


Connectors and Accessories

809-532 Hex Jam Nut with Anti-Rotation Feature

HOW TO ORDER			
Sample Part Number	809-532	-M	25
Basic Number	809-532 Hex Jam Nut with Anti-Rotation Feature		
Material/Finish	ME = Electroless Nickel, Aluminum ZR = Zink Nickel, Black (Tri-Valent CR), Aluminum Z1 = Passivate, Stainless Steel ZL = Electrodeposited Nickel, Stainless Steel		
Shell Size	See Dimensions Table		



DIMENSIONS					
Shell Size	A Thread	ø B		ø C	
		In.	mm.	In.	mm.
18	1.250-18UNEF-2B	1.438	36.53	1.838	46.69
20	1.4375-18UNEF-2B	1.625	41.28	2.025	51.43
24	1.625-18UNEF-2B	1.822	46.28	2.225	56.52
28	1.9375-18UNEF-2B	2.188	55.58	2.585	65.66
32	2.125-18UNEF-2B	2.375	60.33	2.775	70.49
36	2.375-18UNEF-2B	2.625	66.68	3.150	80.01
40	2.625-18UNEF-2B	2.875	73.02	3.450	87.63