

# RECEPTACLE CONNECTORS

## Series 970 PowerTrip™

### Connectors and Accessories 970-031 Jam Nut Receptacle

#### MATERIAL AND FINISH

- Shell - See Table 1
- Insulator - High grade rigid dielectric / N/A
- Seal - Fluorosilicone / N/A
- Contacts - Copper alloy / see part number development

#### NOTES

- Contacts furnished loose with the connector
- For customer termination and installation.
- Spare contacts, hole plugs, crimp tools, and installation
- And extraction tools ordered separately per drawing 979-003.
- See 979-001 for product specifications.
- DWV: 2000 VAC without breakdown or flashover
- IR: 5000 MEGOHM minimum
- Current rating: See Max Current Table

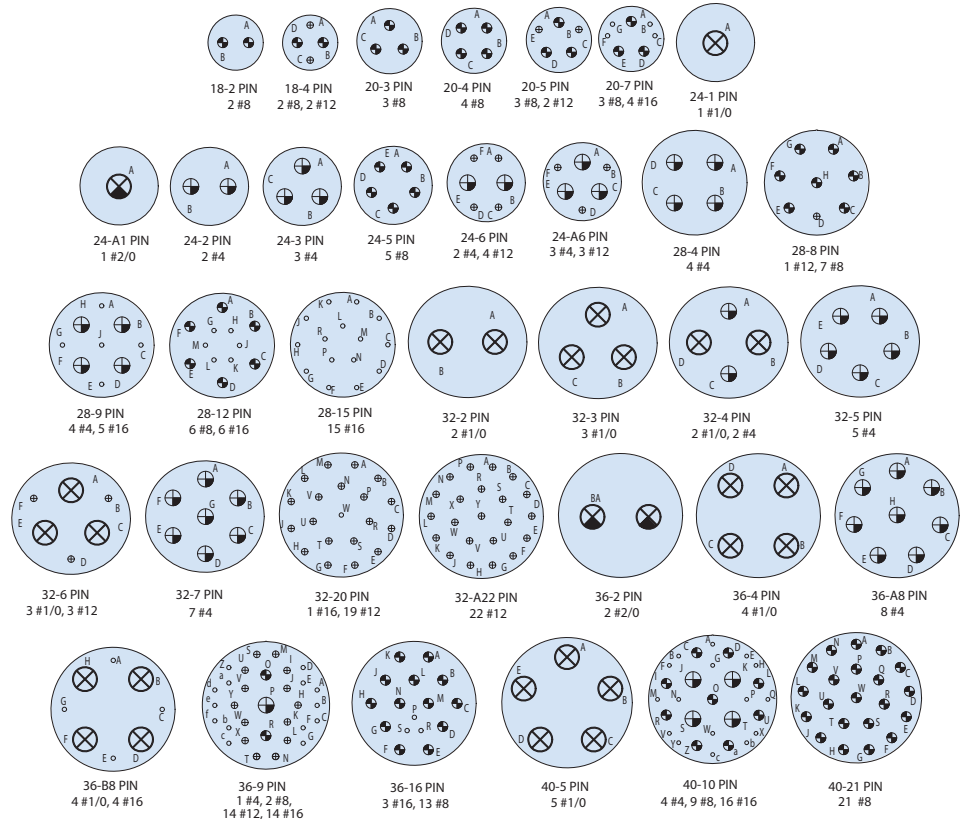
#### MAX CURRENT RATING

Contact Size	Max Current
16	13
12	23
8	60
4	100
1/0	175
2/0	205

#### HOW TO ORDER

<b>Sample Part Number</b>	<b>970-031</b>	<b>MT</b>	<b>32</b>	<b>-6</b>	<b>P</b>	<b>1</b>	<b>-1</b>
<b>Basic Number</b>	970-031 Jam Nut Receptacle with Banding Porch						
<b>Material/Finish</b>	See Material/Finish Table						
<b>Shell Size</b>	See Dimensions Table						
<b>Insert Arrangement</b>	See Insert Arrangements Table						
<b>Insert Designation</b>	<b>P</b> = Pin Contact <b>S</b> = Socket Contact <b>A</b> = Pin Insulator Less Pin Contacts <b>B</b> = Socket Insulator Less Socket Contacts						
<b>Contact Plating</b>	<b>1</b> = Silver (Size <b>8</b> , <b>4</b> , <b>0</b> , and <b>2/0</b> only) <b>2</b> = Gold (Applies to "P" and "S" insert designators only. Omit for "A" and "B" designators)						
<b>Alternate Key Position</b>	<b>1, 2, 3, 4, 5, or 6</b> See Key Positions Table						

#### INSERT ARRANGEMENTS



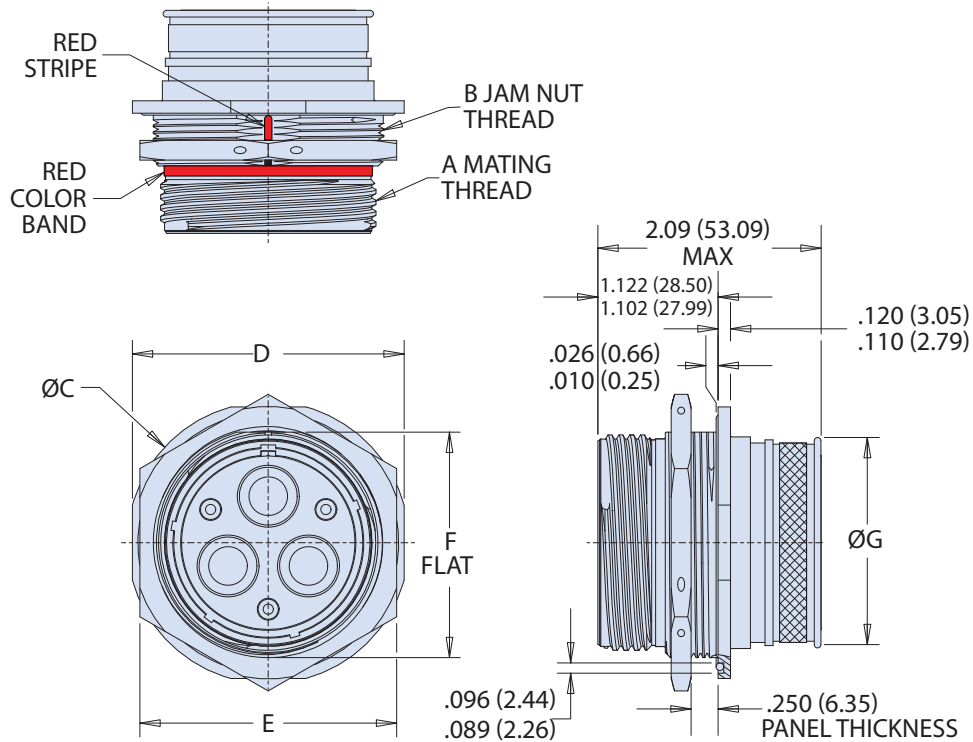
# RECEPTACLE CONNECTORS

## Series 970 PowerTrip™

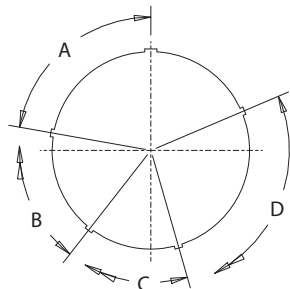


### Connectors and Accessories

#### 970-031 Jam Nut Receptacle



DIMENSIONS																
Shell Size	A Mating Thread	B Jam Nut Thread	Ø C		D		E		F		Ø G		Ø H MTG. Hole		J Hole Flat	
			In.	mm.	In.	mm.	In.	mm.	In.	mm.	In.	mm.	In.	mm.	In.	mm.
18	1.125-0.1P-0.3L-TS-2A	1.250-18UNEF-2A	1.733	44.02	1.639	41.63	1.438	36.53	1.212	30.78	1.037	26.34	1.265	32.13	1.217	30.91
20	1.250-0.1P-0.3L-TS-2A	1.4375-18UNEF-2A	1.921	48.79	1.827	46.41	1.625	41.28	1.399	35.53	1.163	29.54	1.452	36.88	1.409	35.79
24	1.500-0.1P-0.3L-TS-2A	1.625-18UNEF-2A	2.108	53.54	2.014	51.16	1.822	46.28	1.587	40.31	1.350	34.29	1.640	41.66	1.596	40.54
28	1.750-0.1P-0.3L-TS-2A	1.9375-16UN-2A	2.425	61.60	2.327	59.11	2.188	55.58	1.899	48.23	1.670	42.42	1.952	49.58	1.910	48.51
32	2.000-0.1P-0.3L-TS-2A	2.125-16UN-2A	2.607	66.22	2.513	63.83	2.375	60.33	2.084	52.93	1.945	49.40	2.140	54.36	2.092	53.14
36	2.250-0.1P-0.3L-TS-2A	2.375-16UN-2A	2.857	72.57	2.763	70.18	2.625	66.68	2.323	59.00	2.176	55.27	2.390	60.71	2.342	59.49
40	2.500-0.1P-0.3L-TS-2A	2.625-16UN-2A	3.107	78.92	3.013	76.53	2.875	73.03	2.548	64.72	2.350	59.69	2.640	67.06	2.557	64.95



KEY POSITIONS				
Position	A°	B°	C°	D°
1	80	142	196	293
2	135	170	200	310
3	49	169	200	244
4	66	140	200	257
5	62	145	180	280
6	79	153	197	272