

# Series 970 PowerTrip™

## Connectors and Accessories

### 970-032 Square Flange Receptacle Crimp Rear Release

#### MATERIAL AND FINISH

- Shell - See Table 1
- Insulator - High grade rigid dielectric / N/A
- Seal - Fluorosilicone / N/A
- Contacts - Copper alloy / see part number development

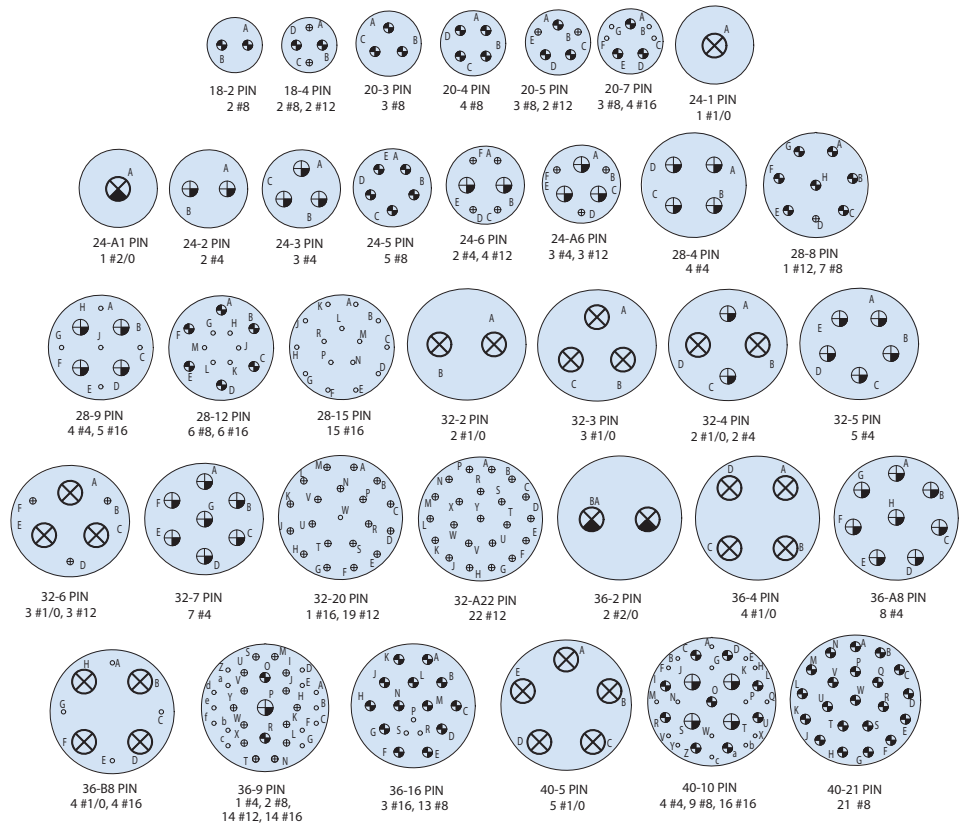
#### NOTES

- Contacts furnished loose with the connector
- For customer termination and installation.
- Spare contacts, hole plugs, crimp tools, and installation
- And extraction tools ordered separately per drawing 979-003.
- See 979-001 for product specifications.
- DWV: 2000 VAC without breakdown or flashover
- IR: 5000 MEGOHM minimum
- Current rating: See table 3

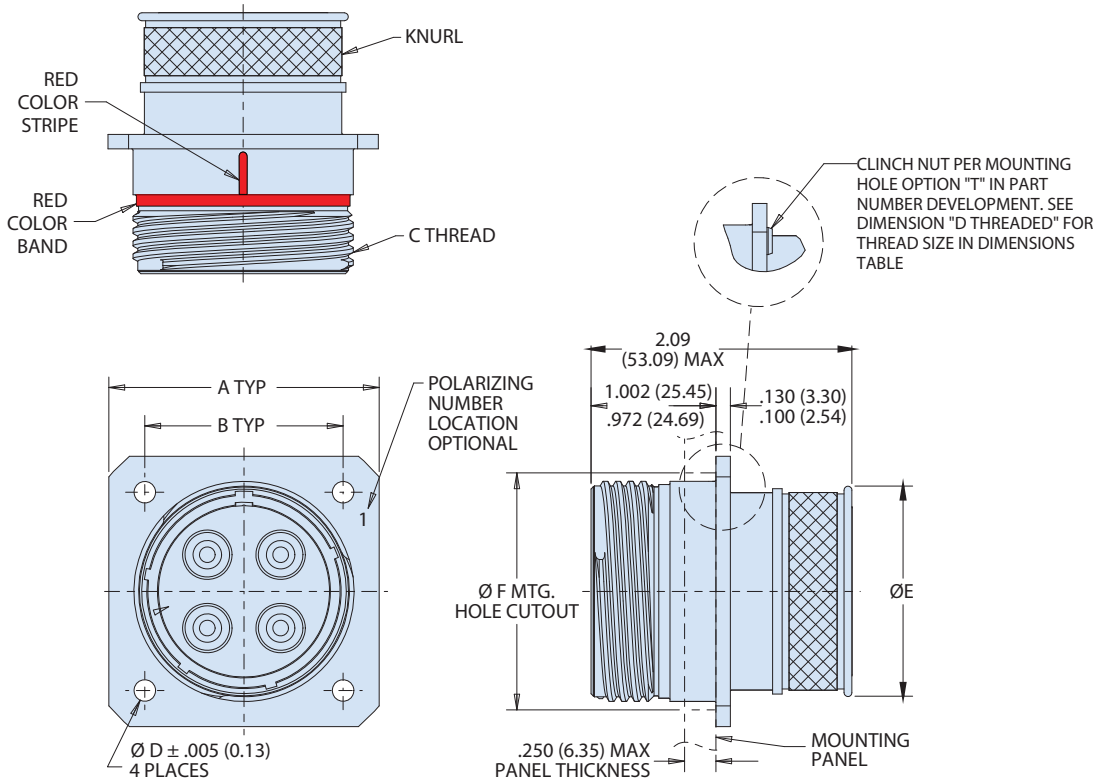
MAX CURRENT RATING	
Contact Size	Max Current
16	13
12	23
8	60
4	100
1/0	175
2/0	205

HOW TO ORDER							
<b>Sample Part Number</b>	<b>970-032</b>	<b>MT</b>	<b>32</b>	<b>-4</b>	<b>P</b>	<b>1</b>	<b>N -1</b>
<b>Basic Number</b>	970-032 Square Flange Receptacle Crimp Rear Release Banding Porch						
<b>Material/Finish</b>	See Material/Finish Table						
<b>Shell Size</b>	See Dimensions Table						
<b>Insert Arrangement</b>	See Insert Arrangements Table						
<b>Insert Designation</b>	<b>P</b> = Pin Contact <b>S</b> = Socket Contact <b>A</b> = Pin Insulator Less Pin Contacts <b>B</b> = Socket Insulator Less Socket Contacts						
<b>Contact Plating</b>	<b>1</b> = Silver (Size <b>8, 4, 0,</b> And <b>2/0</b> Only) <b>2</b> = Gold (Applies to " <b>P</b> " and " <b>S</b> " insert designators only. Omit for " <b>A</b> " and " <b>B</b> " designators)						
<b>Mounting Hole Option</b>	<b>N</b> = Thru Hole <b>T</b> = Threaded - Clinch Nut, Self Locking Per NASM45938/7						
<b>Alternate Key Position</b>	<b>1, 2, 3, 4, 5, or 6</b> See Key Positions Table						

#### INSERT ARRANGEMENTS

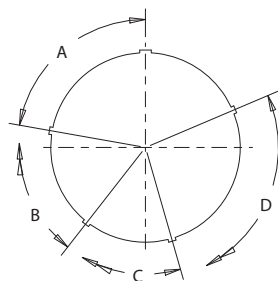


Connectors and Accessories  
**970-032 Square Flange Receptacle Crimp Rear Release**



**DIMENSIONS**

Shell Size	A		B		C Mating Thread	ø D Thru		D Threaded	ø E		ø F MTG. Hole	
	In.	mm.	In.	mm.		In.	mm.		In.	mm.	In.	mm.
<b>18</b>	1.383	35.13	1.015	25.78	1.125-0.1P-0.3L-TS-2A	0.146	3.7	#6-32UNC-2B	1.037	26.34	1.187	30.15
<b>20</b>	1.508	38.30	1.140	28.96	1.250-0.1P-0.3L-TS-2A				1.163	29.54	1.374	34.90
<b>24</b>	1.718	43.64	1.281	32.54	1.500-0.1P-0.3L-TS-2A				1.350	34.29	1.562	39.67
<b>28</b>	2.138	54.31	1.568	39.83	1.750-0.1P-0.3L-TS-2A	0.170	4.3	#8-32UNC-2B	1.670	42.42	1.835	46.61
<b>32</b>	2.328	59.13	1.734	44.04	2.000-0.1P-0.3L-TS-2A				1.945	49.40	2.093	53.16
<b>36</b>	2.578	65.48	1.984	50.39	2.250-0.1P-0.3L-TS-2A				2.176	55.27	2.302	58.47
<b>40</b>	2.828	71.83	2.234	56.74	2.500-0.1P-0.3L-TS-2A				2.350	59.69	2.562	65.07



**KEY POSITIONS**

Position	A°	B°	C°	D°
1	80	142	196	293
2	135	170	200	310
3	49	169	200	244
4	66	140	200	257
5	62	145	180	280
6	79	153	197	272