

RECEPTACLE CONNECTORS

Series 970 PowerTrip™

Connectors and Accessories

970-033 In-Line Receptacle Crimp Rear Release Banding Porch

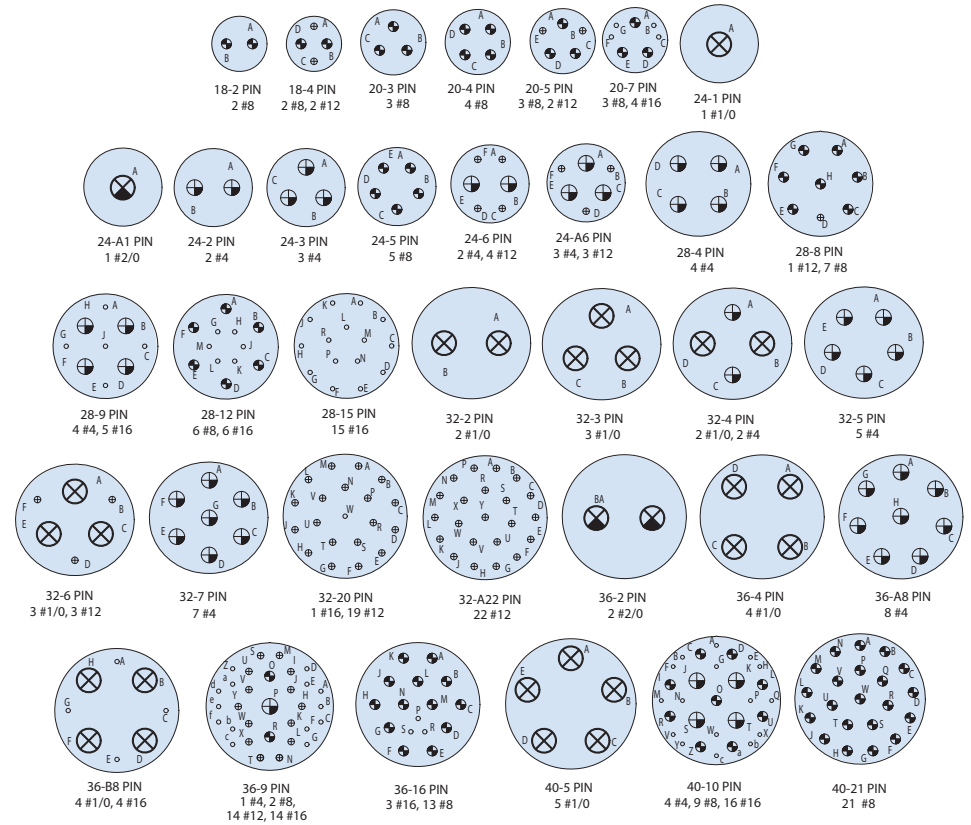
- MATERIAL AND FINISH**
- Shell - See Table 1
 - Insulator - High grade rigid dielectric / N/A
 - Seal - Fluorosilicone / N/A
 - Contacts - Copper alloy / see part number development

- NOTES**
- Contacts furnished loose with the connector
 - For customer termination and installation. Spare contacts, hole plugs, crimp tools, and installation and extraction tools ordered separately per drawing 979-003.
 - See 979-001 for product specifications.
 - DWV: 2000 VAC without breakdown or flashover
 - IR: 5000 MEGOHM minimum
 - Current rating: See Max Current Rating Table

MAX CURRENT RATING	
Contact Size	Max Current
16	13
12	23
8	60
4	100
1/0	175
2/0	205

HOW TO ORDER							
Sample Part Number	970-033	MT	32	-4	P	1	-1
Basic Number	970-033 In-Line Receptacle Crimp Rear Release Banding Porch						
Material/Finish	See Table I						
Shell Size	See Dimensions Table						
Insert Arrangement	See Insert Arrangements Table						
Insert Designation	P = Pin Contact S = Socket Contact A = Pin Insulator Less Pin Contacts B = Socket Insulator Less Socket Contacts						
Contact Plating	1 = Silver (Size 8 , 4 , 0 , And 2/0 Only) 2 = Gold (Applies to "P" and "S" insert designators only. Omit for "A" and "B" designators)						
Key Position	1, 2, 3, 4, 5, or 6 See Key Positions Table						

INSERT ARRANGEMENTS



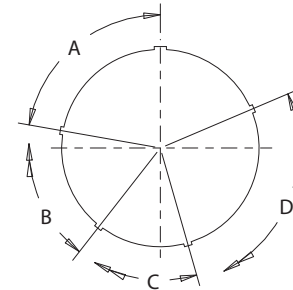
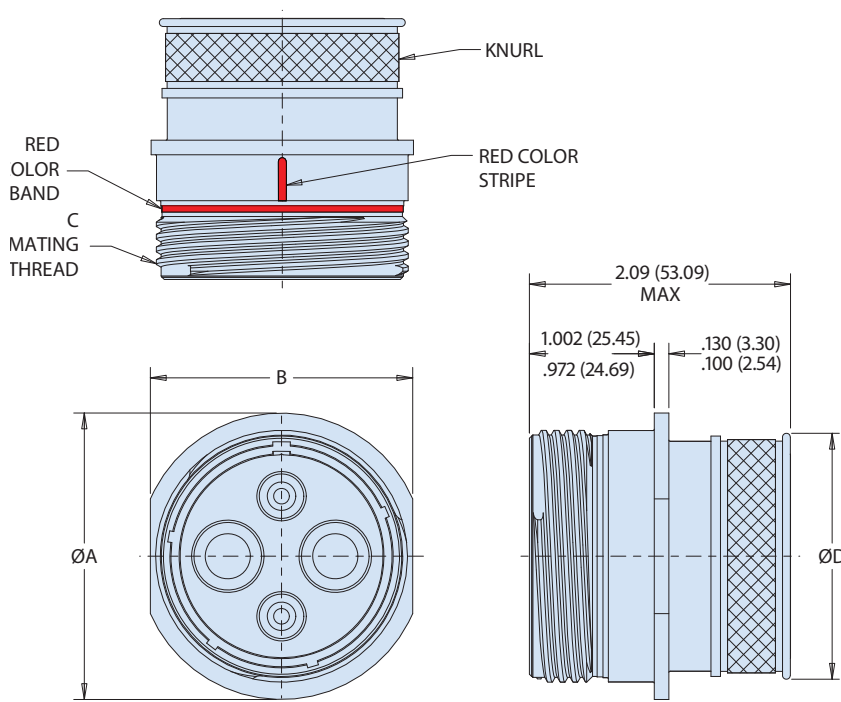
RECEPTACLE CONNECTORS

Series 970 PowerTrip™



Connectors and Accessories

970-033 In-Line Receptacle Crimp Rear Release Banding Porch



KEY POSITIONS				
Position	A°	B°	C°	D°
1	80	142	196	293
2	135	170	200	310
3	49	169	200	244
4	66	140	200	257
5	62	145	180	280
6	79	153	197	272

SCALE 1.500

Shell Size	DIMENSIONS						
	Ø A ±.010		B ±.005		C Mating Thread	Ø D	
	In.	mm.	In.	mm.		In.	mm.
18	1.328	33.73	1.138	28.91	1.125-0.1P-0.3L-TS-2A	1.037	26.34
20	1.515	38.48	1.325	33.66	1.250-0.1P-0.3L-TS-2A	1.163	29.54
24	1.703	43.26	1.513	38.43	1.500-0.1P-0.3L-TS-2A	1.350	34.29
28	2.078	52.02	1.888	47.96	1.750-0.1P-0.3L-TS-2A	1.670	42.42
32	2.265	57.53	2.075	52.71	2.000-0.1P-0.3L-TS-2A	1.945	49.40
36	2.515	63.89	2.325	58.94	2.250-0.1P-0.3L-TS-2A	2.176	55.27
40	2.765	70.23	2.575	65.41	2.500-0.1P-0.3L-TS-2A	2.390	60.71