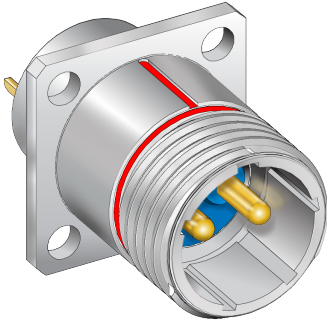


Series 970 PowerTrip™ Connectors and Accessories  
 Receptacle Connectors  
 970-012 Square Flange Mount, Solder Cup Hermetic



**970-012 HERMETIC REAR PANEL MOUNT, SQUARE FLANGE RECEPTACLE**



Series 970 PowerTrip™ hermetic receptacles feature 316L stainless steel shells and compression glass insulators. Solder cup contacts are nickel-iron alloy and are non-removable. Coupling threads are triple-start ACME type. Contacts are silver plated high conductivity copper alloy, or choose gold-plated contacts. Fluorosilicone rubber face seal on pin connector. Stainless steel shells are passivated, or choose nickel plating for improved shell-to-shell conductivity and EMI protection. Hermeticity is  $1 \times 10^{-7}$  cc/sec maximum helium leak rate with one atmosphere pressure differential.

- **Compression Glass Seal**
- **$1 \times 10^{-7}$  cc/sec He leak rate**
- **Both Pin and Socket Versions**
- **Stainless Steel Shell**

PRODUCT FACTS
2000 VAC Sea Level DWV Rating
-65°C to +200°C Operating Temperature
6 Feet Water Immersion, 48 Hours
65 dB min. Attenuation, up to 10GHz
500 Cycles Mating Durability
MIL-S 901 Grade A High-Impact Shock
43 g Random Vibration

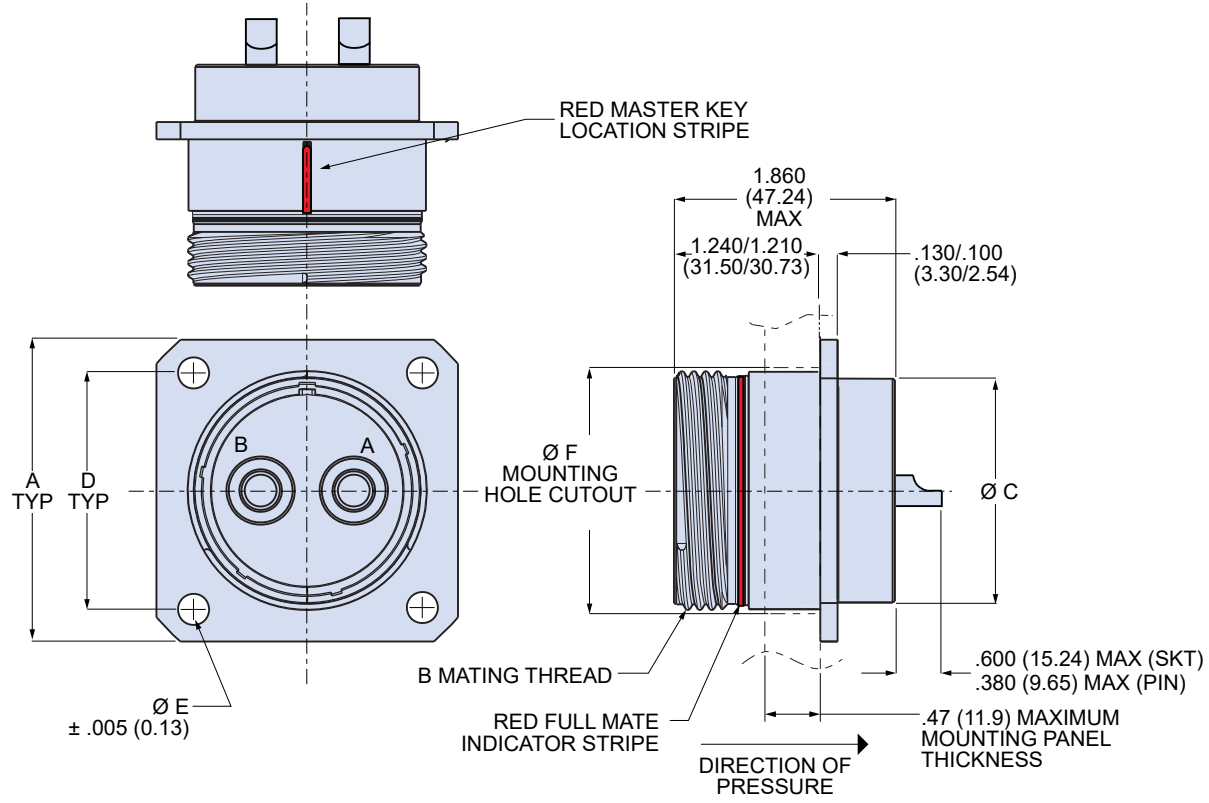
**HOW TO ORDER**

SERIES	SHELL MATL AND FINISH	SHELL SIZE - INSERT ARRANGEMENT	CONTACT TYPE AND PLATING	MOUNTING HOLE OPTION	KEY POSITION			
<b>970-012</b> Hermetic Square Flange Panel Mount Receptacle  If Required, uses Flange Gasket 930-014-** (Not Included)	<b>Z1</b> Passivated Stainless Steel	Contact Arr.      Contact Size and Qty #16   #12   #8   #4   #1/0	<b>P1</b> Pin Contacts, Silver Plating	<b>N</b> Thru-Hole	<b>-1</b> Position 1			
		18-2				2		
		18-4				2	2	
		20-3					3	
		20-4					4	
		20-5				2	3	
		20-7				4	3	
		24-2						2
		24-3						3
		24-5					5	
	24-6	4		2				
	24-A6		3	3				
	28-4			4				
	28-8		1	7				
	28-9	5		4				
	28-15	15						
	32-2				2			
	32-3				3			
	32-4			2	2			
	32-5			5				
	32-6		3		3			
32-20	1	19						
36-4				4				
36-16	3		13					
40-5				5				
40-21			21					
<b>Sample Part Number</b>								
<b>970-012</b>	<b>Z1</b>	<b>20-4</b>	<b>P1</b>	<b>N</b>	<b>-1</b>			

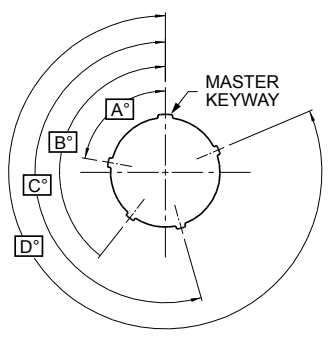


**Series 970 PowerTrip™ Connectors and Accessories**  
**Receptacle Connectors**  
**970-012 Solder Cup Hermetic**

**970-012 HERMETIC REAR PANEL MOUNT, SQUARE FLANGE RECEPTACLE**



DIMENSIONS											
Shell Size	A		B Mating Thread	C		D		Ø E Thru Hole		Ø F	
	In.	mm.		In.	mm.	In.	mm.	In.	mm.	In.	mm.
18	1.383	35.13	1.125-.1P-.3L-TS-2A	.972	24.69	1.015	25.78	.146	3.71	1.187	30.15
20	1.508	38.30	1.250-.1P-.3L-TS-2A	1.116	28.35	1.140	28.96	.146	3.71	1.374	34.90
24	1.718	43.64	1.500-.1P-.3L-TS-2A	1.300	33.02	1.281	32.54	.146	3.71	1.562	39.67
28	2.138	54.31	1.750-.1P-.3L-TS-2A	1.604	40.74	1.568	39.83	.170	4.32	1.874	47.60
32	2.328	59.13	2.000-.1P-.3L-TS-2A	1.875	47.63	1.734	44.04	.170	4.32	2.062	52.37
36	2.578	65.48	2.250-.1P-.3L-TS-2A	2.093	53.16	1.984	50.39	.170	4.32	2.302	58.47
40	2.828	71.83	2.500-.1P-.3L-TS-2A	2.310	58.67	2.234	56.74	.170	4.32	2.562	65.07



KEY POSITIONS				
Position	A°	B°	C°	D°
1	80	142	196	293
2	135	170	200	310
3	49	169	200	244
4	66	140	200	257
5	62	145	180	280
6	79	153	197	272

MAX CURRENT RATING	
Contact Size	Max Current
16	10
12	17
8	33
4	60
1/0	125