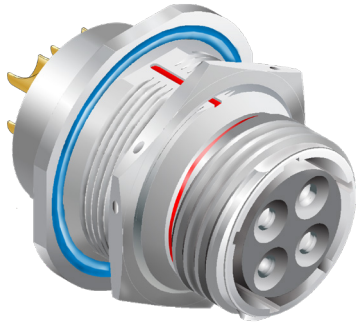


Series 970 PowerTrip™ Connectors and Accessories
 Receptacle Connectors
 970-025 Hermetic, Solder Cup, Jam-Nut Receptacle



970-025 HERMETIC, REAR PANEL MOUNT JAM-NUT RECEPTACLE



Series 970 PowerTrip™ hermetic solder cup receptacles can be ordered with pin or socket contacts. Mates with 970-001 or 970-011 plug of the same shell size, contact layout and polarization. Compression glass hermetic seal. 100% tested to meet helium leak rate of 1×10^{-7} cc/second at 15 psi pressure differential. Contacts are factory-installed and are non-removable. Standard gold-plated contacts for improved corrosion protection. Silver plated contacts available for contact sizes 0, 4, and 8 only. Jam-nut rear panel mounting, for panel thicknesses from 1/16 inch (1.58mm) to 1/2 inch (12.7mm).

- **Submersible**
- **Harsh Environment**

PRODUCT FACTS
2000 VAC Sea Level DWV Rating
-65°C to +200°C Operating Temperature
6 Feet Water Immersion, 48 Hours
65 dB min. Attenuation, up to 10GHz
500 Cycles Mating Durability
MIL-S 901 Grade A High-Impact Shock
43 g Random Vibration

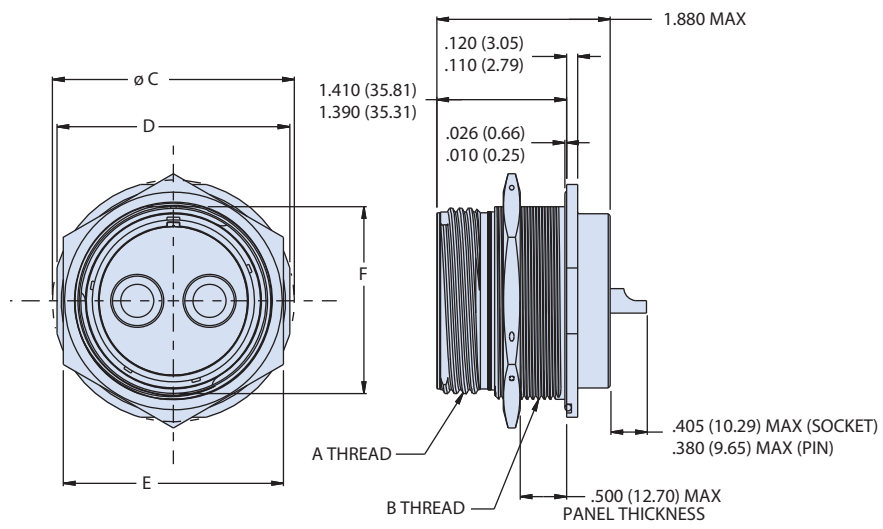
HOW TO ORDER

SERIES	SHELL MATL AND FINISH	SHELL SIZE - INSERT ARRANGEMENT					CONTACT TYPE	CONTACT PLATING	KEY POSITION		
		Cont. Arr.	Contact Size and Qty								
			#16	#12	#8	#4	#1/0				
970-025 Series 970 Hermetic Jam-nut Receptacle with Solder Cup Termination	Stainless Steel Shell Z1 Passivated ZL Electrodeposited Nickel							P Pin, Solder Cup	1 Silver Plated Contacts	-1 Position 1	
		18-2			2						
		18-4		2	2						
		20-3			3						
		20-4			4						
		20-5		2	3						
		20-7	4		3						
		24-2					2				
		24-3					3				
		24-5				5					
		24-6		4		2					
		24-A6		3		3					
		28-4				4					
		28-8		1	7						
		28-9	5			4					
		28-15	15								
		32-2						2			
		32-3						3			
		32-4					2	2			
		32-5					5				
32-6			3			3					
32-20	1	19									
36-4						4					
36-16	3		13								
40-5						5					
40-21				21							
Sample Part Number											
970-025	Z1			32-4			S	2	-1		



Series 970 PowerTrip™ Connectors and Accessories
Receptacle Connectors
970-025 Jam-Nut Mount, Solder Cup Hermetic

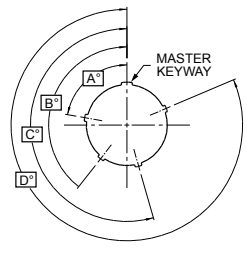
970-025 HERMETIC REAR PANEL MOUNT, JAM-NUT RECEPTACLE



DIMENSIONS										
Shell Size	A Mating Thd.	B Jam-nut Thd.	ø C		D		E		F	
			In.	mm.	In.	mm.	In.	mm.	In.	mm.
18	1.125-.1P-.3L-TS-2A	1.250-18 UNEF-2A	1.733	44.02	1.639	41.63	1.438	36.53	1.212	30.78
20	1.250-.1P-.3L-TS-2A	1.4375-18 UNEF-2A	1.921	48.79	1.827	46.41	1.625	41.28	1.399	35.53
24	1.500-.1P-.3L-TS-2A	1.625-18 UNEF-2A	2.108	53.54	2.014	51.16	1.822	46.28	1.587	40.31
28	1.750-.1P-.3L-TS-2A	1.9375-16 UN-2A	2.425	61.60	2.327	59.11	2.188	55.58	1.899	48.23
32	2.000-.1P-.3L-TS-2A	2.125-16 UN-2A	2.607	66.24	2.513	63.86	2.375	60.33	2.084	53.01
36	2.250-.1P-.3L-TS-2A	2.375-16 UN-2A	2.857	72.57	2.763	70.18	2.625	66.68	2.323	59.00
40	2.500-.1P-.3L-TS-2A	2.625-16 UN-2A	3.107	78.92	3.013	76.53	2.875	73.03	2.548	64.72

E

KEY POSITIONS				
Position	A°	B°	C°	D°
1	80	142	196	293
2	135	170	200	310
3	49	169	200	244
4	66	140	200	257
5	62	145	180	280
6	79	153	197	272



PANEL CUTOUT				
Shell Size	Diameter		Flat	
	In.	mm.	In.	mm.
		-.000 +.010	-.00 +0.25	-.000 +.010
18	1.265	32.13	1.217	30.91
20	1.452	36.88	1.409	35.79
24	1.640	41.66	1.596	40.54
28	1.952	49.58	1.910	48.51
32	2.140	54.36	2.092	53.14
36	2.390	60.71	2.342	59.49
40	2.640	67.06	2.557	64.95