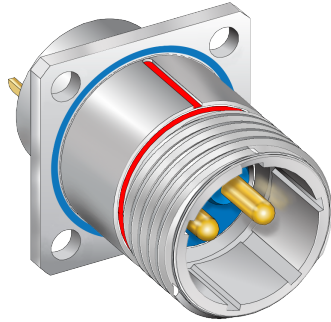


Series 970 PowerTrip™ Connectors and Accessories  
 Receptacle Connectors  
 970-030 Solder Cup Hermetic with O-ring Seal



**970-030 HERMETIC REAR PANEL MOUNT, SQUARE FLANGE RECEPTACLE**



Series 970 PowerTrip™ hermetic rear panel mount (RPM) receptacles feature stainless steel shells and compression glass insulators. Solder cup contacts are nickel-iron alloy and are non-removable. Coupling threads are triple-start ACME type. Contacts are silver plated high conductivity copper alloy, or choose gold-plated contacts. Fluorosilicone rubber face seal on pin connector. Choose passivated stainless steel shells, or nickel plating for improved shell-to-shell conductivity and EMI protection. Hermeticity is  $1 \times 10^{-7}$  cc/sec maximum helium leak rate with one atmosphere pressure differential.

- **Compression Glass Seal**
- **$1 \times 10^{-7}$  cc/sec He leak rate**
- **Pin and Socket Versions**
- **Stainless Steel Shell**

PRODUCT FACTS
2000 VAC Sea Level DWV Rating
-65°C to +200°C Operating Temperature
6 Feet Water Immersion, 48 Hours
65 dB min. Attenuation, up to 10GHz
500 Cycles Mating Durability
MIL-S 901 Grade A High-Impact Shock
43 g Random Vibration

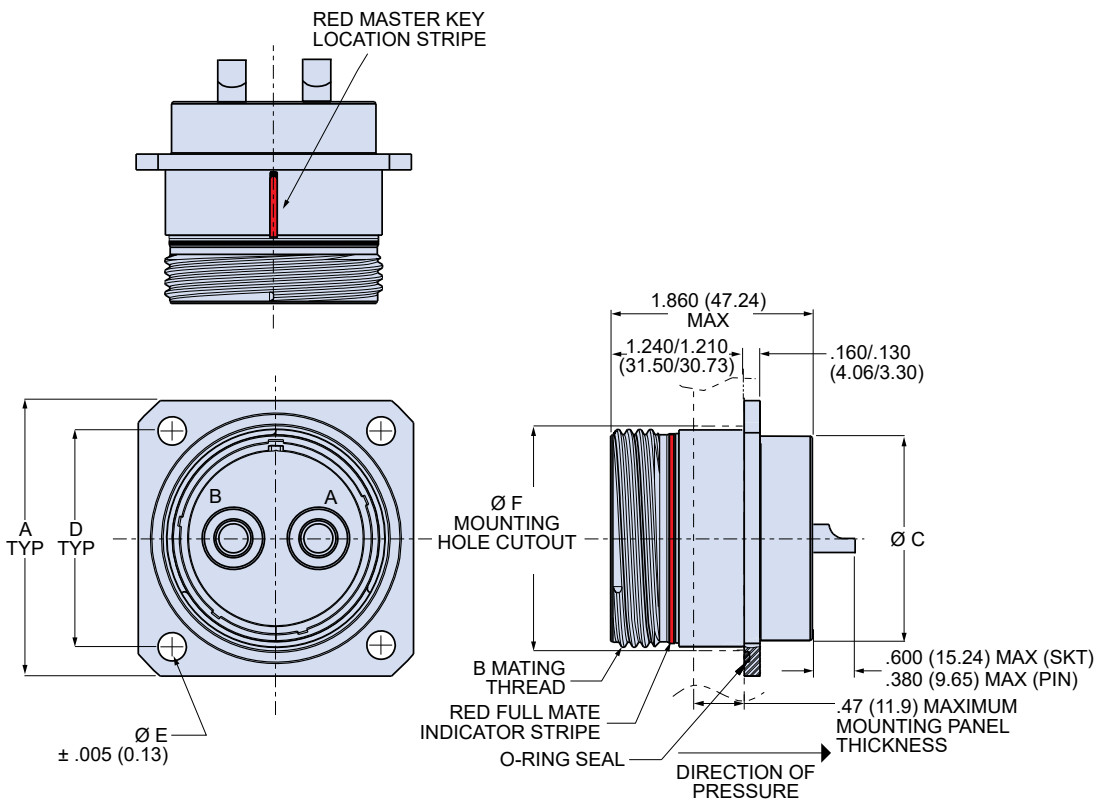
**HOW TO ORDER**

SERIES	SHELL MATL AND FINISH	SHELL SIZE - INSERT ARRANGEMENT					CONTACT TYPE	CONTACT PLATING OPTION	MOUNTING HOLE OPTION	KEY POSITION	
<b>970-030</b> Hermetic Square Flange Panel Mount Receptacle	<b>Z1</b> Passivated Stainless Steel	Contact Arr.	Contact Size and Qty					<b>P</b> Pin, Solder Cup	<b>1</b> (Size 0, 4, 8) Silver	<b>N</b> Thru-Hole	<b>-1</b> Position 1
		#16	#12	#8	#4	#1/0					
		<b>18-2</b>		2							
		<b>18-4</b>		2	2						
		<b>20-3</b>			3						
		<b>20-4</b>			4						
		<b>20-5</b>		2	3						
		<b>20-7</b>	4		3						
		<b>24-2</b>				2					
		<b>24-3</b>				3					
	<b>24-5</b>			5							
	<b>24-6</b>		4		2						
	<b>24-A6</b>		3		3						
	<b>28-4</b>				4						
	<b>28-8</b>		1	7							
	<b>28-9</b>	5			4						
	<b>28-15</b>	15									
	<b>32-2</b>					2					
	<b>32-3</b>					3					
	<b>32-4</b>				2	2					
<b>32-5</b>				5							
<b>32-6</b>			3		3						
<b>32-20</b>	1	19									
<b>36-4</b>					4						
<b>36-16</b>	3		13								
<b>40-5</b>					5						
<b>40-21</b>			21								
<b>Sample Part Number</b>											
<b>970-030</b>	<b>Z1</b>	<b>20-4</b>					<b>P</b>	<b>2</b>	<b>N</b>	<b>-1</b>	

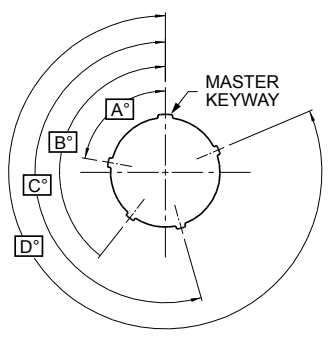


**Series 970 PowerTrip™ Connectors and Accessories**  
**Receptacle Connectors**  
**970-030 Solder Cup Hermetic with O-ring Seal**

**970-030 REAR PANEL MOUNT, HERMETIC RECEPTACLE WITH O-RING SEAL**



DIMENSIONS											
Shell Size	A		B Mating Thread	C		D		Ø E Thru Hole		Ø F	
	In.	mm.		In.	mm.	In.	mm.	In.	mm.	In.	mm.
18	1.591	40.41	1.125-.1P-.3L-TS-2A	.972	24.69	1.275	32.38	.146	3.71	1.187	30.15
20	1.779	45.19	1.250-.1P-.3L-TS-2A	1.116	28.35	1.408	35.76	.146	3.71	1.374	34.90
24	2.029	51.54	1.500-.1P-.3L-TS-2A	1.300	33.02	1.585	40.26	.146	3.71	1.562	39.67
28	2.404	61.06	1.750-.1P-.3L-TS-2A	1.604	40.74	1.905	48.39	.170	4.32	1.874	47.60
32	2.529	64.24	2.000-.1P-.3L-TS-2A	1.875	47.63	1.993	50.62	.170	4.32	2.062	52.37
36	2.654	67.41	2.250-.1P-.3L-TS-2A	2.093	53.16	2.081	52.86	.170	4.32	2.302	58.47
40	3.029	76.94	2.500-.1P-.3L-TS-2A	2.310	58.67	2.347	59.61	.170	4.32	2.562	65.07



KEY POSITIONS				
Position	A°	B°	C°	D°
1	80	142	196	293
2	135	170	200	310
3	49	169	200	244
4	66	140	200	257
5	62	145	180	280
6	79	153	197	272

MAX CURRENT RATING	
Contact Size	Max Current
16	10
12	17
8	33
4	60
1/0	125