

CONTACT CONNECTORS

Series 970 PowerTrip™

Connectors and Accessories

970-041 LIGHT WEIGHT HERMETIC, BULKHEAD, JAM NUT FEEDTHROUGH



PowerTrip™



CODE RED

TABLE I: HOW TO ORDER	
Sample Part Number	970-041 ME 28 -4 P 2 -1
Basic Number	970-041 Light Weight Hermetic, Bulkhead, Jam Nut Feedthrough
Material/Finish	ME = Electroless Nickel, Aluminum NF = Olive Drab Cadmium (+175° C MAX), Aluminum ZR = Black Zinc Nickel (+175° C MAX), Aluminum Z1 = Passivated, Stainless Steel
Shell Size	See Dimensions Table
Insert Arrangement	See Below
Insert Designator	P = Pin Contact On Jamnut Side (Socket Opposite) S = Socket Contact On Jamnut Side (Pin Opposite)
Contact Plating	2 = Gold
Key Position	1, 2, 3, 4, 5, or 6 (See Table II)

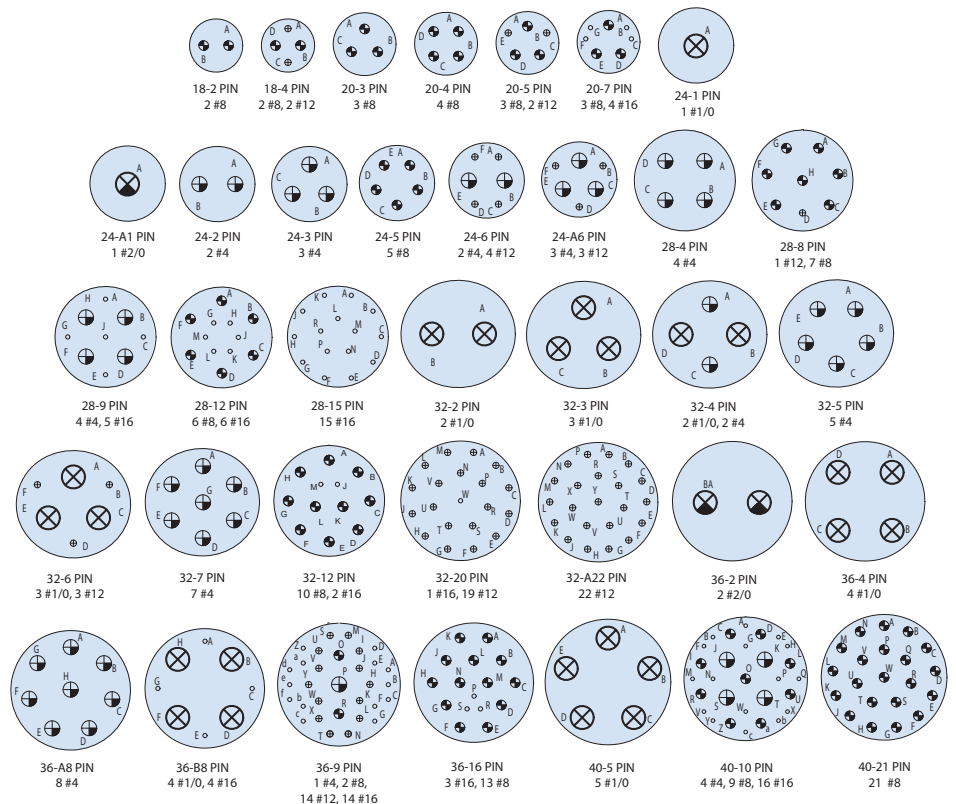
MATERIALS / FINISHES

- Sealing Compound - Polymer Encapsulant
- Contacts - Copper Alloy / Gold Over Nickel
- Seal - Interfacial/O-Ring: Fluorosilicone
- Insulator - High Grade Rigid Dielectric
- Shell, Jam Nut - See Table 1

NOTES

- Insert arrangement 28-4, shown for reference. Standard arrangement shown here. Consult factory for additional options.
- Performance
 - See 979-001 for additional product specifications
 - IR: 5000 megohms min @ 500 VDC
 - DWV: 2000 VAC RMS
 - Leak rate: 1×10^{-7} cc/s max helium, 1 ATM
 - Operating temperature range: -65° C to +200° C

INSERT ARRANGEMENTS



CONTACT CONNECTORS

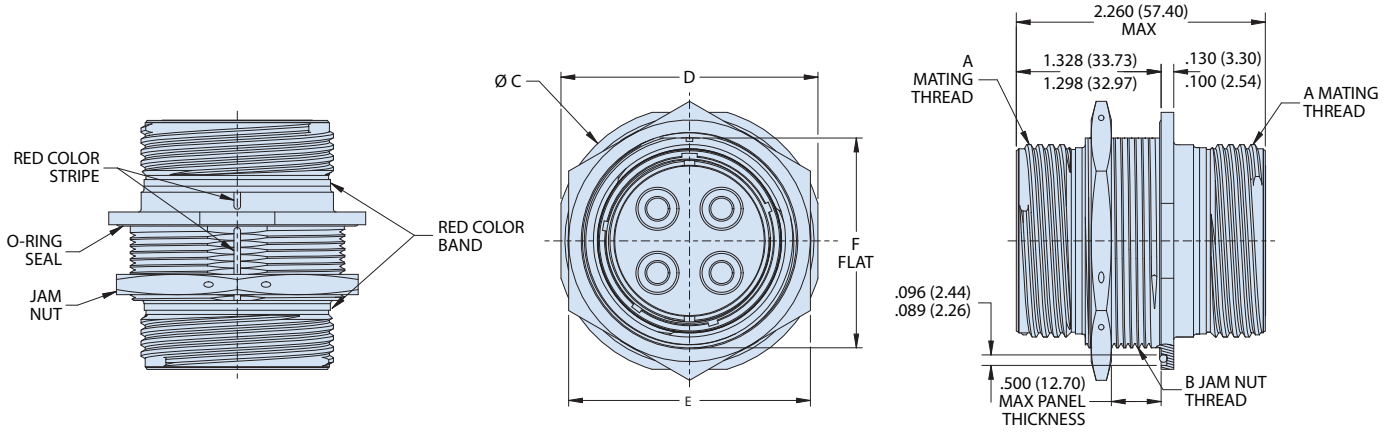
Series 970 PowerTrip™

Connectors and Accessories

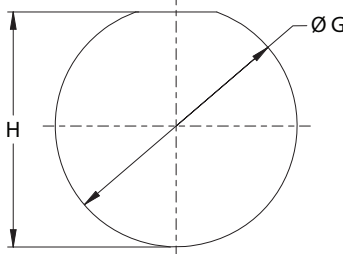
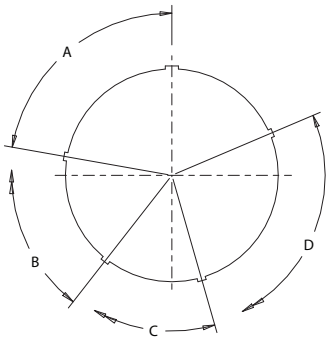
970-041 LIGHT WEIGHT HERMETIC, BULKHEAD, JAM NUT FEEDTHROUGH



PowerTrip™



DIMENSIONS														
Shell Size	A Mating Thread	B Jam Nut Thread	ø C		D		E		F		ø G MTG. Hole		H Hole Flat	
			In.	mm.	In.	mm.	In.	mm.	In.	mm.	In.	mm.	In.	mm.
18	1.125-0.1P-0.3L-TS-2A	1.250-18UNEF-2A	1.733	44.02	1.639	41.63	1.438	36.53	1.212	30.78	1.265	32.13	1.217	30.91
20	1.250-0.1P-0.3L-TS-2A	1.4375-18UNEF-2A	1.921	48.79	1.827	46.41	1.625	41.28	1.399	35.53	1.452	36.88	1.409	35.79
24	1.500-0.1P-0.3L-TS-2A	1.625-18UNEF-2A	2.108	53.54	2.014	51.16	1.822	46.28	1.587	40.31	1.640	41.66	1.596	40.54
28	1.750-0.1P-0.3L-TS-2A	1.9375-16UN-2A	2.425	61.60	2.327	59.11	2.188	55.58	1.899	48.23	1.952	49.58	1.910	48.51
32	2.000-0.1P-0.3L-TS-2A	2.125-16UN-2A	2.607	66.24	2.513	63.86	2.375	60.33	2.084	53.00	2.140	54.36	2.092	53.14
36	2.250-0.1P-0.3L-TS-2A	2.375-16UN-2A	2.857	72.57	2.763	70.18	2.625	66.68	2.323	59.00	2.390	60.71	2.342	59.49
40	2.500-0.1P-0.3L-TS-2A	2.625-16UN-2A	3.107	78.92	3.013	76.53	2.875	73.03	2.548	64.72	2.640	67.06	2.557	64.95



RECOMMENDED PANEL HOLE

Position	A°	B°	C°	D°
1	80	142	196	293
2	135	170	200	310
3	49	169	200	244
4	66	140	200	257
5	62	145	180	280
6	79	153	197	272