



Backshells and Accessories

310P*001 Shrink Boot Adapter

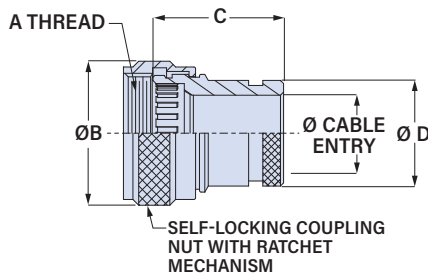


Self-Locking

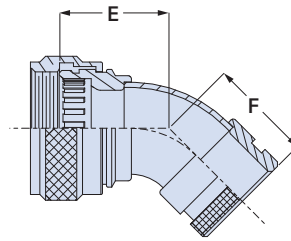
310P*001 shrink boot adapter fits Series 970 PowerTrip Connectors. Use with unshielded cable. Adapter has groove for lipped shrink boot. Self-locking coupling nut has ratchet mechanism to prevent loosening under vibration. Supplied as adapter only or with shrink boot. Aluminum or stainless steel, silicone O-ring, thermoplastic ratchet spring. SST adapter has SST ratchet spring.

HOW TO ORDER	
Sample Part Number → 310PS001 ME 32 T	
Basic Number	Base Part No. Profile
	310PS001 S Straight
	310PM001 M 45°
	310PN001 N 90°
Material / Finish	ME = Aluminum / Electroless Nickel
	MT = Aluminum / Nickel PTFE
	NF = Aluminum / Olive Drab Cadmium
	TZ = Aluminum / Tin-Zinc
	ZR = Aluminum / Black Zinc-Nickel
	Z1 = Stainless Steel / Passivated
Shell Size	18 20 24 28 32 36 40
Shrink Boot	Omit if not required
	T = Shrink Boot Included
	S = Zero Halogen Shrink Boot Included

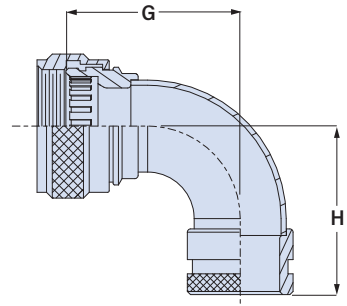
BACKSHELLS AND ACCESSORIES



S Straight



M 45°



N 90°

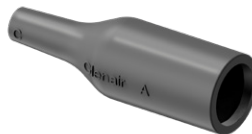
DIMENSIONS																			
Shell Size	A Thread	ø B Max		C Max		D Max		E Max		F Max		G Max		H Max		R Max		Cable Entry Min	
		in	mm	in	mm	in	mm	in	mm	in	mm	in	mm	in	mm	in	mm	in	mm
18	1.125-18 UNEF-2B	1.39	35.3	1.250	31.8	1.005	25.5	1.250	31.8	1.00	25.4	1.906	48.4	1.63	41.4	.880	22.4	.724	18.4
20	1.250-18 UNEF-2B	1.53	38.9	1.250	31.8	1.139	28.9	1.312	33.3	1.06	26.9	2.031	51.6	1.75	44.5	1.00	25.4	.858	21.8
24	1.4375-18 UNEF-2B	1.72	43.7	1.250	31.8	1.324	33.6	1.406	35.7	1.19	30.2	2.281	57.9	2.00	50.8	1.25	31.8	1.043	26.5
28	1.8125-16 UN-2B	2.13	54.1	1.250	31.8	1.625	41.2	1.500	38.1	1.25	31.8	2.531	64.3	2.44	62.0	1.50	38.1	1.353	34.4
32	2.0625-16 UNS-2B	2.35	59.7	1.315	33.4	1.901	48.3	1.675	42.5	1.38	35.1	2.625	66.7	2.75	69.9	1.75	44.5	1.620	41.4
36	2.250-16 UN-2B	2.59	65.8	1.315	33.4	2.104	53.4	1.799	45.7	1.75	44.5	2.875	73.0	2.88	73.2	2.25	57.2	1.823	46.3
40	2.500-16 UN-2B	2.87	70.6	1.315	33.4	2.331	59.2	1.861	47.3	1.75	44.5	3.025	76.8	2.88	73.2	2.25	57.2	2.050	52.1

SHRINK BOOT

Optional heatshrink boot provides cable strain relief and environmental protection.

Standard Type 1 high-performance semi-rigid elastomer resists fuels and oils and withstands temperature extremes. Operating temperature range -75 to +150 °C.

Zero Halogen Type 2 high-performance semi-flexible polyolefin meets low smoke and toxicity requirements. Operating temperature range -40 to +130 °C.



Shell Size	Shrink Boot Part Number	
	Standard (T)	Zero Halogen (S)
18	770-001S105	770-001S205
20	770-001S105	770-001S205
24	770-001S106	770-001S206
28	770-001S107	770-001S207
32	770-001S108	770-001S208
36	770-001S109	770-001S209
40	770-001S109	770-001S209