

## Backshells and Accessories

### 390PS086 EMI Cable Sealing Backshell w/ SST Cordgrip

BACKSHELLS AND ACCESSORIES

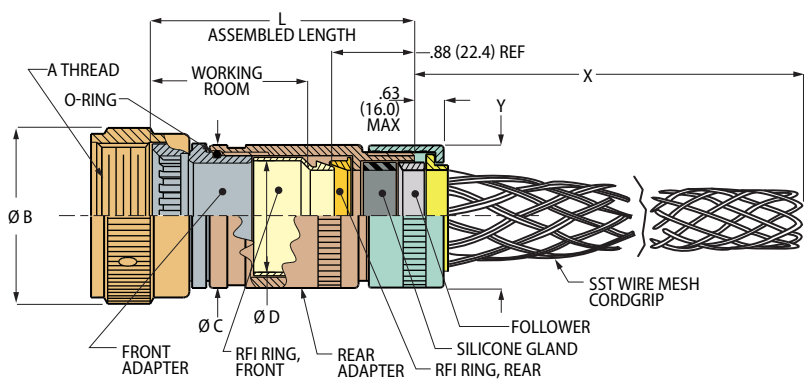


- EMI environmental backshell for Series 970 PowerTrip® connectors
- SST wire mesh cord grip

Heavy duty 390PS086 backshell with stainless steel wire mesh cordgrip fits Glenair Series 970 PowerTrip connectors. For use with shielded jacketed cable. Cone-and-ring shield termination. Withstands MIL-S-901 Grade A high impact shock. Type H saddle clamp has stainless steel telescoping fillister head screws and lockwashers. Meets AS85049 Category 1A water immersion (6 ft/48 hrs).

HOW TO ORDER			
Sample Part Number →	<b>390PS086</b>	<b>TZ</b>	<b>3224</b>
Base P/N	<b>390PS086</b>		
Material/Finish	<b>ME</b> = Aluminum / Electroless Nickel <b>MT</b> = Aluminum / Nickel PTFE <b>NF</b> = Aluminum / Olive Drab Cadmium <b>TZ</b> = Aluminum / Tin-Zinc <b>ZR</b> = Aluminum / Black Zinc-Nickel <b>Z1</b> = Stainless Steel / Passivated		
Size Code	See Table below		

CONSTRUCTION	
Coupling nut, body, ground rings, saddle clamp, follower:	aluminum or SST
Hardware:	stainless steel/passivated
Anti-decoupling spring:	thermoplastic (aluminum body) or SST (SST body)
O-ring, grommet:	silicone
Cord grip:	stainless steel



DIMENSIONS																				
Size Code	Shell Size	Cable Range				L Length ±.12 (3.0)		Working Room		A Thread Class 2B	Ø B Max.		Ø C Max.		Ø D Min.		X Ref.		Y Max.	
		Min. In.	Max. In.	Min. mm.	Max. mm.	In.	mm.	In.	mm.		In.	mm.	In.	mm.	In.	mm.	In.	mm.	In.	mm.
1810	18	.500	12.7	.625	15.9	4.62	117.4	3.00	76.2	1.125-18 UNEF	1.44	36.6	1.406	35.71	1.000	25.40	4.37	111.0	1.16	29.5
1812		.625	15.9	.750	19.1	4.62	117.4	3.00	76.2	1.125-18 UNEF	1.44	36.6	1.406	35.71	1.000	25.40	6.00	152.4	1.34	34.0
1814		.750	19.1	.875	22.2	4.62	117.4	3.00	76.2	1.125-18 UNEF	1.44	36.6	1.531	38.89	1.125	28.58	5.00	127.0	1.59	40.4
2010	20	.500	12.7	.625	15.9	4.62	117.4	3.00	76.2	1.250-18 UNEF	1.54	39.1	1.531	38.89	1.125	28.58	4.37	111.0	1.16	29.5
2012		.625	15.9	.750	19.1	4.62	117.4	3.00	76.2	1.250-18 UNEF	1.54	39.1	1.531	38.89	1.125	28.58	6.00	152.4	1.34	34.0
2014		.750	19.1	.875	22.2	4.62	117.4	3.00	76.2	1.250-18 UNEF	1.54	39.1	1.656	42.06	1.250	31.75	5.00	127.0	1.59	40.4
2412	24	.625	15.9	.750	19.1	5.12	130.1	3.50	88.9	1.438-18 UNEF	1.73	43.9	1.656	42.06	1.250	31.75	6.00	152.4	1.34	34.0
2414		.750	19.1	.875	22.2	5.12	130.1	3.50	88.9	1.438-18 UNEF	1.73	43.9	1.781	45.24	1.375	34.93	5.00	127.0	1.59	40.4
2420		1.000	25.4	1.250	31.8	5.12	130.1	3.50	88.9	1.438-18 UNEF	1.73	43.9	1.781	45.24	1.375	34.93	6.25	158.8	1.94	49.3
2814	28	.750	19.1	.875	22.2	5.12	130.1	3.50	88.9	1.812-16 UN	2.14	54.4	2.156	54.76	1.750	44.45	5.00	127.0	1.59	40.4
2820		1.000	25.4	1.250	31.8	5.12	130.1	3.50	88.9	1.812-16 UN	2.14	54.4	2.156	54.76	1.750	44.45	6.25	158.8	1.94	49.3
2824		1.125	28.6	1.375	34.9	5.12	130.1	3.50	88.9	1.812-16 UN	2.14	54.4	2.156	54.76	1.750	44.45	7.25	184.2	2.19	55.6
3224	32	1.125	28.6	1.375	34.9	5.12	130.1	3.50	88.9	2.062-16 UNS	2.37	60.2	2.281	57.94	1.875	47.63	7.25	184.2	2.19	55.6
3228		1.375	34.9	1.625	41.3	6.12	155.5	4.50	114.3	2.062-16 UNS	2.37	60.2	2.281	57.94	1.875	47.63	8.00	203.2	2.43	61.7
3232		1.625	41.3	1.875	47.6	6.12	155.5	4.50	114.3	2.062-16 UNS	2.37	60.2	2.281	57.94	1.875	47.63	10.00	254.0	2.69	68.3
3624	36	1.125	28.6	1.375	34.9	6.12	155.5	4.50	114.3	2.250-16 UN	2.63	66.8	2.531	64.29	2.125	53.98	7.25	184.2	2.19	55.6
3628		1.375	34.9	1.625	41.3	6.12	155.5	4.50	114.3	2.250-16 UN	2.63	66.8	2.531	64.29	2.125	53.98	8.00	203.2	2.43	61.7
3632		1.625	41.3	1.875	47.6	6.12	155.5	4.50	114.3	2.250-16 UN	2.63	66.8	2.531	64.29	2.125	53.98	10.00	254.0	2.69	68.3
3640	40	2.125	54.0	2.375	60.3	6.62	168.2	5.00	127.0	2.250-16 UN	2.63	66.8	3.031	76.99	2.625	66.68	12.60	320.0	3.19	81.0
4024		1.125	28.6	1.375	34.9	6.12	155.5	4.50	114.3	2.500-16 UN	2.93	74.4	2.781	70.64	2.375	60.33	7.25	184.2	2.19	55.6
4028		1.375	34.9	1.625	41.3	6.12	155.5	4.50	114.3	2.500-16 UN	2.93	74.4	2.781	70.64	2.375	60.33	8.00	203.2	2.43	61.7
4032	40	1.625	41.3	1.875	47.6	6.12	155.5	4.50	114.3	2.500-16 UN	2.93	74.4	2.781	70.64	2.375	60.33	10.00	254.0	2.69	68.3
4040		2.125	54.0	2.375	60.3	6.62	168.2	5.00	127.0	2.500-16 UN	2.93	74.4	3.031	76.99	2.625	66.68	12.60	320.0	3.19	81.0