



Backshells and Accessories

620PS097 Plug Protective Cover

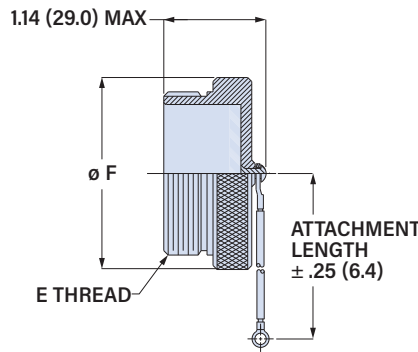


660PS097 protective cover fits Glenair Series 970 PowerTrip plug connectors. Available in aluminum or stainless steel. Stainless steel fittings.

HOW TO ORDER						
Sample Part Number	→	660PS097	NF	40	H	6 -06
Basic Number	660PS097 = Protective Cover for Series 970 Plug Connectors					
Material / Finish	ME = Aluminum / Electroless Nickel MT = Aluminum / Nickel PTFE NF = Aluminum / Olive Drab Cadmium TZ = Aluminum / Tin-Zinc ZR = Aluminum / Black Zinc-Nickel Z1 = Stainless Steel / Passivated					
Shell Size	18 20 24 28 32 36 40					
Attachment Type	N = No Attachment See Table 1 for Attachment Types					
Attachment Length	Omit if no Attachment Length in 1 Inch Increments ("6" = six inch length)					
Attachment Ring	Omit if no Attachment or Type SK Slip Knot 00 = No Ring See Table 2 for Ring Options					

TABLE 1 ATTACHMENT TYPE

D		SST Bead Chain .125 (3.2) diameter, size 6, -65° to +200°C
F		Wire Rope, Blue Nylon Jacket 6/6 nylon over stainless steel rope, fair flexibility, good abrasion resistance, -55 to +100°C
G		Black Nylon Rope Very flexible, good abrasion and fuel resistance, .094 (2.4) diameter, -55 to +100°C
H		Wire Rope, Clear FEP Jacket Clear FEP jacket over SST rope, fair flexibility, good abrasion resistance, .100" diameter, -65° to +200°C
S		Sash Chain #8 sash chain, stainless steel. Length tolerance is ± one link. 280 (71)
SK		Nylon Rope with Slip Knot Very flexible, good abrasion and fuel resistance, .094 (2.4) diameter. Length includes .5" (13mm) dia. loop, -55 to +100°C
T		SST Wire Rope, No Jacket Good flexibility, good abrasion resistance, .047 (1.2) diameter, passivated, -65° to +200°C
U		Wire Rope, Black Polyurethane Stainless steel rope with black polyurethane coating, flexible, excellent abrasion resistance and resistance to fuels, .080" (2mm) diameter, -55 to +125°C



DIMENSIONS

Shell Size	E Thread	ø F Max.	
		In.	mm.
18	1.125-18 UNEF-2A	1.417	36.0
20	1.250-18 UNEF-2A	1.535	39.0
24	1.4375-18 UNEF-2A	1.772	45.0
28	1.8125-16 UN-2A	2.007	51.0
32	2.0625-16 UNS-2A	2.244	57.0
36	2.250-16 UN-2A	2.480	63.0
40	2.500-16 UN-2A	2.716	69.0

TABLE 2 RING OPTIONS

EYELET		STYLE A RING		STYLE B RING		SPLIT RING	
Code	Eyelet I.D.	Code	Ring I.D.	Code	Ring I.D.	Code	Ring I.D.
-06	.125 (3.2)	-095	.312 (7.9)	-10	.593 (15.1)	-50	.425 (10.8)
-01	.145 (3.7)	-100	.391 (9.9)	-12	.718 (18.2)	-52	.485 (12.3)
-09	.156 (4.0)	-101	.516 (13.1)	-13	.765 (19.4)	-54	.640 (16.3)
-05	.167 (4.2)	-103	.641 (16.3)	-14	.844 (21.4)	-56	.750 (19.1)
-02	.182 (4.6)	-104	.708 (18)	-15	.890 (22.6)	-58	.890 (22.6)
-03	.191 (4.9)	-105	.766 (19.5)	-17	1.015 (25.8)	-60	1.015 (25.8)
-04	.197 (5.0)	-106	.896 (22.8)	-19	1.140 (29.0)	-62	1.095 (27.8)
-07	.218 (5.5)	-107	1.016 (25.8)	-20	1.203 (30.6)	-64	1.130 (28.7)
		-108	1.141 (29.0)	-21	1.265 (32.1)	-66	1.250 (31.8)
		-208	1.203 (30.6)	-22	1.343 (34.1)	-68	1.350 (34.3)
		-109	1.266 (32.2)	-24	1.484 (37.7)	-70	1.375 (34.9)
		-110	1.391 (35.3)	-27	1.640 (41.7)	-72	1.485 (37.7)
		-111	1.521 (38.6)	-29	1.765 (44.8)	-74	1.625 (41.3)
		-112	1.641 (41.7)	-30	1.890 (48.0)	-76	1.750 (44.5)
		-113	1.766 (44.9)	-31	1.953 (49.6)	-80	1.985 (50.3)
		-114	1.891 (48.0)	-33	2.077 (52.8)	-84	2.235 (56.8)
		-115	2.078 (52.8)	-36	2.187 (55.5)	-86	2.310 (58.7)
		-116	2.406 (61.1)	-40	2.406 (61.1)	-88	2.475 (62.9)
		-117	2.510 (63.8)	-44	2.656 (67.5)	-90	2.655 (67.4)