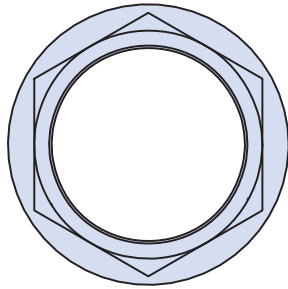


Connectors and Accessories

809-532 Self-Locking Jam Nut

BACKSHELLS AND ACCESSORIES

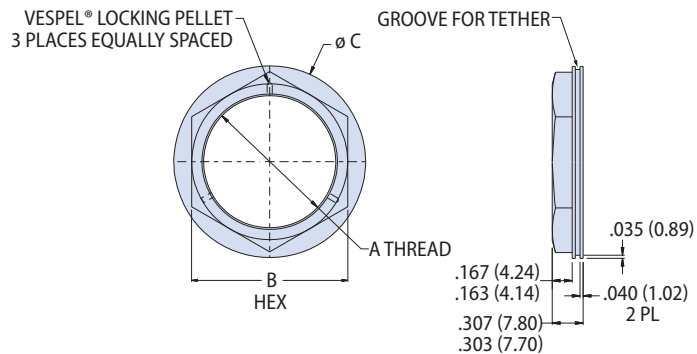
809-532 SELF-LOCKING JAM NUT



Self-Locking 809-532 jam nut fits Series 970 receptacles. Jam nut has three Vespel® inserts installed with RTV sealant. Originally used on manned space vehicles, this jam nut eliminates the need for safety wire or threadlocking compound. Nut has groove for attaching a tether if required.

® Vespel is a registered trademark of Dupont Polymers, Inc.

HOW TO ORDER			
Sample Part Number →		809-532	-ME 20
Basic Number	809-532 = Self-Locking Jam Nut for Series 970 Connectors		
Material / Finish	ME = Aluminum / Electroless Nickel MT = Aluminum / Nickel PTFE NF = Aluminum / Olive Drab Cadmium TZ = Aluminum / Tin-Zinc ZR = Aluminum / Black Zinc-Nickel Z1 = Stainless Steel / Passivated		
Shell Size	18 20 24 28 32 36 40		



DIMENSIONS					
Shell Size	A Thread	Ø B		Ø C	
		In.	mm.	In.	mm.
18	1.250-18UNEF-2B	1.438	36.53	1.838	46.69
20	1.4375-18UNEF-2B	1.625	41.28	2.025	51.43
24	1.625-18UNEF-2B	1.822	46.28	2.225	56.52
28	1.9375-18UNEF-2B	2.188	55.58	2.585	65.66
32	2.125-18UNEF-2B	2.375	60.33	2.775	70.49
36	2.375-18UNEF-2B	2.625	66.68	3.150	80.01
40	2.625-18UNEF-2B	2.875	73.02	3.450	87.63