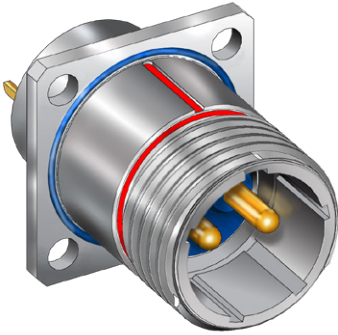




## Hermetic and Filter Receptacles

### 970-030 Square Flange Hermetic Receptacle with O-ring



970-030 hermetic receptacle has stainless steel shell, fused glass insulator and iron-nickel alloy solder cup contacts. Square flange shell has fluorosilicone O-ring for rear panel mounting. Coupling threads are triple-start ACME quick-disconnect. PowerTrip connectors feature low resistance LouverBand contacts and are designed to withstand extreme environments.

- Quick-disconnect self-locking aerospace-grade power connector
- 2000 VAC (DWV)
- -65° to +200°C
- Fused glass hermetic seal
- High shock, high vibration

INSERT ARRANGEMENTS						
Insert Arr.	Contact Size and Quantity					
	#16	#12	#8	#4	#1/0	#2/0
18-2			2			
18-4		2	2			
20-3			3			
20-4			4			
20-5		2	3			
20-7	4		3			
24-1					1	
24-2				2		
24-3				3		
24-5			5			
24-6		4		2		
24-A1						1
24-A6		3		3		
28-12	6		6			
28-15	15					
28-4				4		
28-8		1	7			
28-9	5			4		
32-12	2		10			
32-2					2	
32-20	1	19				
32-3					3	
32-4				2	2	
32-5				5		
32-6		3			3	
32-7				7		
32-A22		22				
36-16	3		13			
36-2						2
36-4					4	
36-9	14	14	2	1		
36-A8				8		
36-B8	4				4	
40-10	16		9	4		
40-21			21			
40-5					5	

HOW TO ORDER								
Sample Part Number →		970-030	Z1	24-2	P	2	N	-1
<b>Basic Part Number</b>	970-030 Hermetic Square Flange Receptacle with O-ring							
<b>Material/Finish</b>	Z1 = Stainless Steel / Passivated ZL = Stainless Steel / Electrodeposited Nickel							
<b>Shell Size-Insert Arr.</b>	See "Insert Arrangements" Table							
<b>Contact Type</b>	P = Pin Contacts, Solder Cup S = Socket Contacts, Solder Cup							
<b>Contact Plating</b>	1 = Silver 2 = Gold							
<b>Mounting Hole Option</b>	N = Thru-Hole							
<b>Keyway Position</b>	-1, -2, -3, -4, -5, or -6							

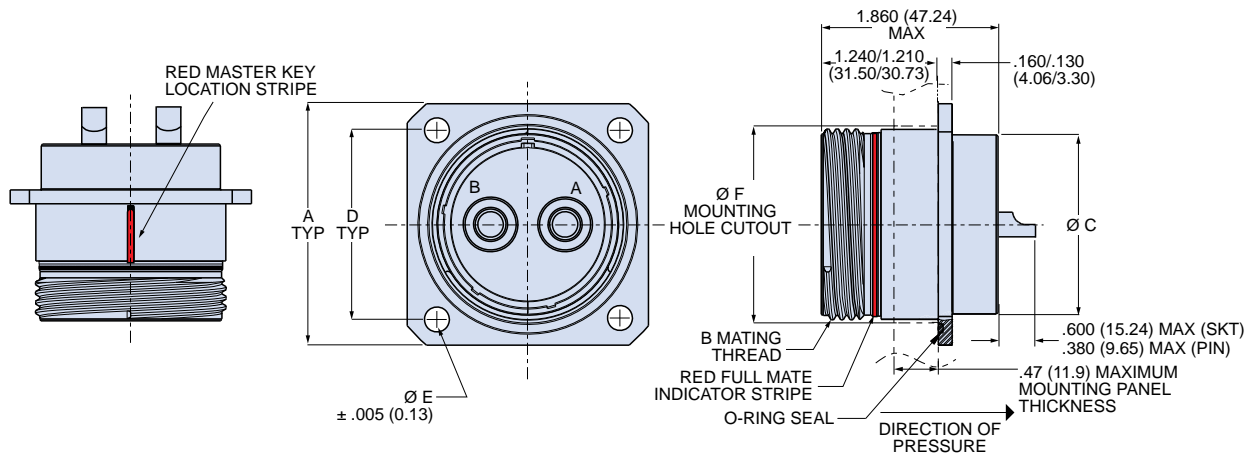
RATINGS
<b>Voltage (DWV):</b> 2000 Volts AC
<b>Current:</b> Size 16 contact 10 amps Size 12 contact 17 amps Size 8 contact 30 amps Size 4 contact 60 amps Size 1/0 contact 125 amps Size 2/0 contact 150 amps
<b>Operating temperature:</b> -65° to +200°C
<b>Hermeticity:</b> 1E-7 cm <sup>3</sup> /s max leak rate @ 1 atmos
<b>Durability:</b> 500 mating cycles
<b>EMI shielding effectiveness:</b> 65 dB min. 100 MHz to 10 GHz
<b>Shock:</b> 50 g
<b>Vibration:</b> per MIL-DTL-38999 Series III MIL-S-901 high impact shock: Grade A
<b>Blowing sand and dust:</b> MIL-STD-810, method 510.5
<b>Altitude immersion:</b> 75,000 feet
<b>Ingress protection:</b> IP67
<b>Pressure rating:</b> 200 PSI

CONSTRUCTION
<b>Contacts:</b> iron-nickel alloy, gold or silver plated. Socket contacts have BeCu springs.
<b>Shell:</b> stainless steel, passivated or electrodeposited nickel
<b>Insulator:</b> vitreous glass. Socket connectors have additional thermoplastic insulator.
<b>Seals:</b> fluorosilicone

HERMETIC AND FILTER RECEPTACLES

Hermetic and Filter Receptacles

970-030 Square Flange Hermetic Receptacle with O-ring



HERMETIC AND FILTER RECEPTACLES

DIMENSIONS											
Shell Size	A		B Mating Thread	C		D		ø E		ø F	
	In.	mm.		In.	mm.	In.	mm.	In.	mm.	In.	mm.
18	1.591	40.41	1.125-1P-3L-TS-2A	.972	24.69	1.275	32.38	.146	3.71	1.187	30.15
20	1.779	45.19	1.250-1P-3L-TS-2A	1.116	28.35	1.408	35.76	.146	3.71	1.374	34.90
24	2.029	51.54	1.500-1P-3L-TS-2A	1.300	33.02	1.585	40.26	.146	3.71	1.562	39.67
28	2.404	61.06	1.750-1P-3L-TS-2A	1.604	40.74	1.905	48.39	.170	4.32	1.874	47.60
32	2.529	64.24	2.000-1P-3L-TS-2A	1.875	47.63	1.993	50.62	.170	4.32	2.062	52.37
36	2.654	67.41	2.250-1P-3L-TS-2A	2.093	53.16	2.081	52.86	.170	4.32	2.302	58.47
40	3.029	76.94	2.500-1P-3L-TS-2A	2.310	58.67	2.347	59.61	.170	4.32	2.562	65.07

KEY POSITIONS				
Position	A°	B°	C°	D°
1	80	142	196	293
2	135	170	200	310
3	49	169	200	244
4	66	140	200	257
5	62	145	180	280
6	79	153	197	272