

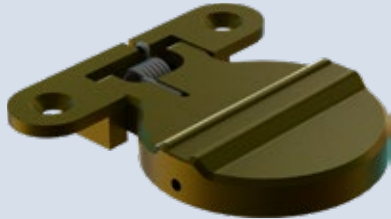
SPRING ACTION

ProSeal™ environmental connector covers



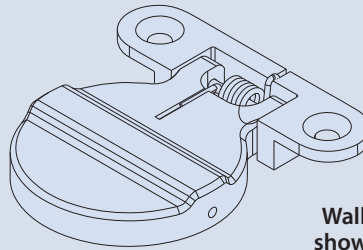
for Mighty Mouse Series 804 Wall Mount connectors
Pressure seal, dust and immersion resistant

667-392 PROSEAL PROTECTIVE COVER FOR MIGHTY MOUSE SERIES 804 WALL MOUNT CONNECTORS

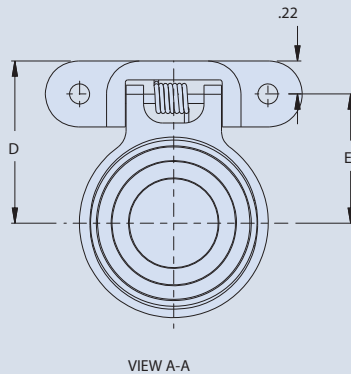
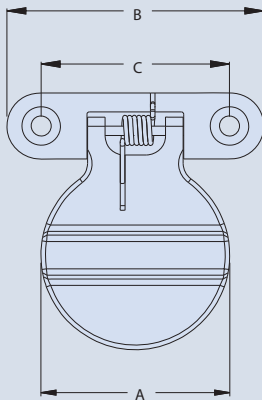


How to Order 667-392			
Sample Part Number	667-392	NF	09
Series	ProSeal protective cover for Series 804 Mighty Mouse Wall Mount connectors		
Material / Finish	See Table II		
Shell Size	See Table I		

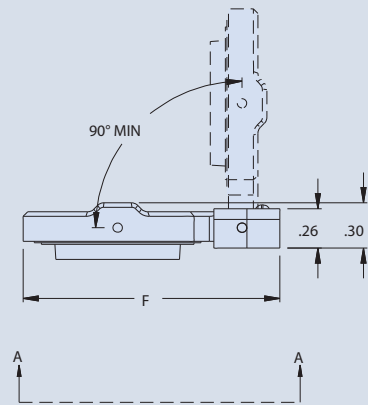
- Pressure seal, dust and immersion resistant
- Self-aligning
- Positive spring-action in closed position. Opens to 90°, non-locking.



Wall mount, shown closed



VIEW A-A



MATERIAL / FINISH

Cover, Lever Arm, Bracket - Aluminum Alloy/see Table II
 Shaft / Spring - CRES / Passivate
 Sleeve - Delrin
 Gasket - Silicone

SPRING ACTION

ProSeal™ environmental connector covers

for Mighty Mouse Series 804 Wall Mount connectors
Pressure seal, dust and immersion resistant



Mighty Mouse 804

Table I: Dimensions												
Shell Size	A Dia		B Dim		C ±.005		D Dim		E ±.005		F Dim	
	in	mm	in	mm	in	mm	in	mm	in	mm	in	mm
06	.75	19.05	1.51	38.35	1.055	26.80	.84	21.34	.615	15.62	1.17	29.72
07	.87	22.10	1.58	40.13	1.125	28.58	.87	22.10	.640	16.26	1.25	31.75
08	.87	22.10	1.58	40.13	1.125	28.58	.90	22.86	.673	17.09	1.32	33.53
09	.94	23.88	1.58	40.13	1.125	28.58	.90	22.86	.673	17.09	1.32	33.53
10	1.00	25.40	1.58	40.13	1.125	28.58	.94	23.88	.712	18.08	1.39	35.31
12	1.12	28.45	1.58	40.13	1.125	28.58	1.03	26.16	.800	20.32	1.53	38.86
14	1.25	31.75	1.70	43.18	1.245	31.62	1.08	27.43	.855	21.72	1.69	42.93
15	1.31	33.27	1.70	43.18	1.245	31.62	1.10	27.94	.875	22.23	1.74	44.20

Consult factory for additional shell sizes

Table II: Material and Finish		
Sym	Material	Finish
M	Aluminum Alloy	Electroless Nickel
NF		Cad Plate / Olive Drab over Electroless Nickel
C		Anodize / Black
ZN		Zinc-Nickel / O.D. over Electroless Nickel
ZR		Zinc-Nickel / Black over Electroless Nickel