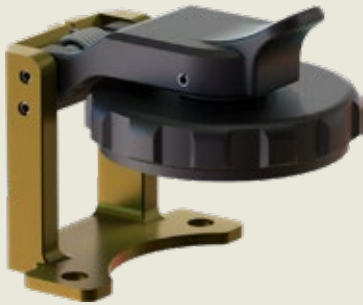


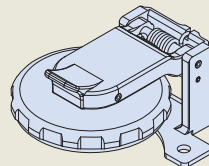
667-448 PROSEAL PROTECTIVE COVER FOR D38999 SERIES III CONNECTORS



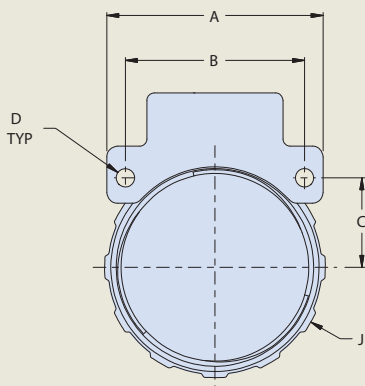
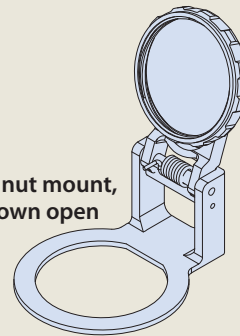
How to Order 667-448					
Sample Part Number	667-448	NF	17	T1	J
Series	ProSeal protective cover for D38999 Series III connectors				
Material / Finish	See Table II				
Shell Size	See Table I				
Panel Thickness	See Table III				
Type of Mounting	J = Jam Nut Mount Receptacle W = Wall Mount Receptacle				

- Threaded closure
- Full environmental protection
- Self-aligning
- Positive spring-action in closed position. Locks open at approximately 105° from receptacle face.

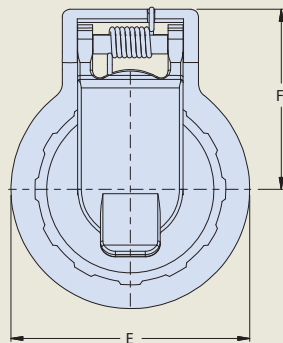
Wall mount, shown closed



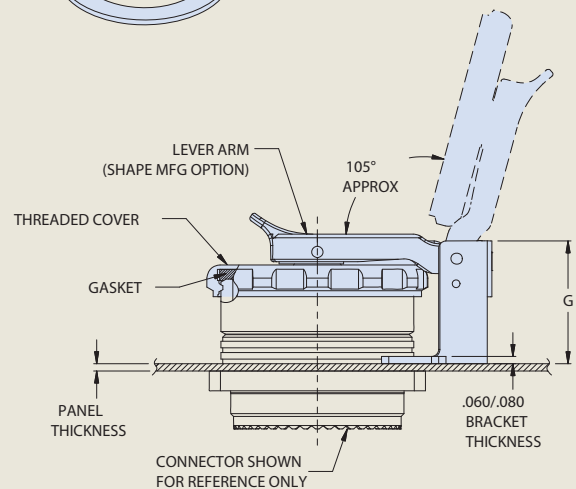
Jam nut mount, shown open



WALL MOUNT



JAM NUT



MATERIAL / FINISH

- Cover, Lever Arm, Gimbal - Thermoplastic / Black
- Bracket - see Table II
- Spring / Pin / Rivet - 300 Series SST / Passivate
- Sleeve - Delrin
- Gasket - Silicone (optional)



Table I: Dimensions														
Shell Size	A Dim max		B Dim		C Dim		D ±.008 (.20)		E ±.031 (.79)		F Dim max		J Dia max	
	in	mm	in	mm	in	mm	in	mm	in	mm	in	mm	in	mm
09	0.937	23.80	0.719	18.26	0.360	9.14	0.128	3.25	1.031	26.19	.913	23.19	.872	22.15
11	1.031	26.19	0.812	20.62	0.406	10.31	0.128	3.25	1.125	28.58	.961	24.41	.988	25.10
13	1.126	28.60	0.906	23.01	0.453	11.51	0.128	3.25	1.375	34.93	1.083	27.51	1.129	28.68
15	1.220	30.99	0.969	24.61	0.485	12.32	0.128	3.25	1.560	39.62	1.178	29.92	1.280	32.51
17	1.311	33.30	1.062	26.97	0.531	13.49	0.128	3.25	1.625	41.28	1.211	30.76	1.441	36.60
19	1.437	36.50	1.156	29.36	0.578	14.68	0.128	3.25	1.750	44.45	1.273	32.33	1.499	38.07
21	1.563	39.70	1.250	31.75	0.625	15.88	0.128	3.25	2.000	50.80	1.538	39.07	1.630	41.40
23	1.689	42.90	1.375	34.93	0.688	17.48	0.154	3.91	2.150	54.61	1.614	41.00	1.755	44.58
25	1.841	46.76	1.500	38.10	0.750	19.05	0.154	3.91	2.218	56.34	1.647	41.83	1.880	47.75

Table II: Material and Finish		
Sym	Material	Finish
MT	Aluminum	Nickel-PTFE
ZR		Zinc-Nickel, Black (Tri-Valent CR)
M		Electroless Nickel
NF		Cad Plate / Olive Drab over Electroless Nickel
C		Anodize / Black
UC		Zinc Cobalt / Black

Table III: Panel Thickness							
Dash No.	Panel Thickness* ±.030 (.76)		Shell Size	G ± .06			
	in	mm		Jam Nut Mount		Wall Mount	
				in	mm	in	mm
T0	.000	.00	09-19	N/A	N/A	1.039	26.39
			21-25	N/A	N/A	1.094	27.79
T1	.062	1.57	09-19	1.041	26.44	0.977	24.82
			21-25	1.126	28.60	1.032	26.21
T2	.125	3.18	09-19	0.979	24.87	0.915	23.24
			21-25	1.064	27.03	0.970	24.64

*Jam nut mount is not available with panel thickness T0

38999 Series III / SuperNine