

SPRING ACTION

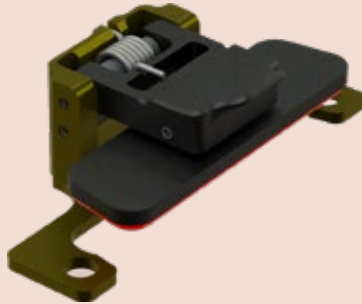
ProSeal™ environmental connector covers



for Series 28 HiPer-D® connectors

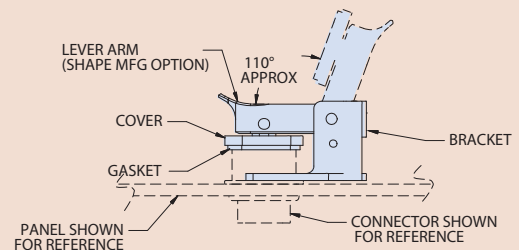
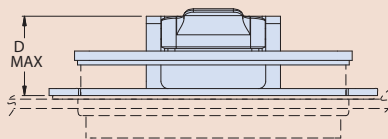
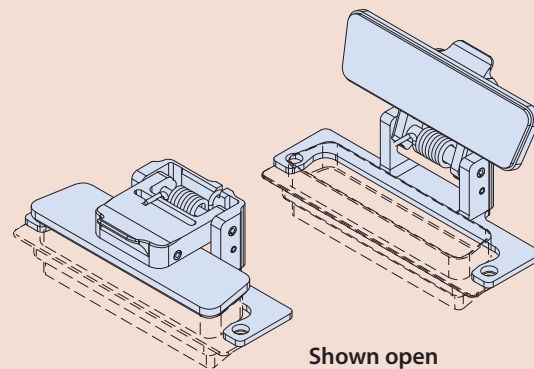
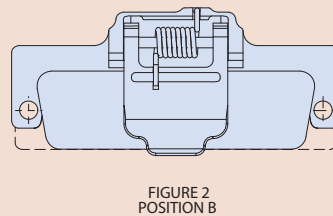
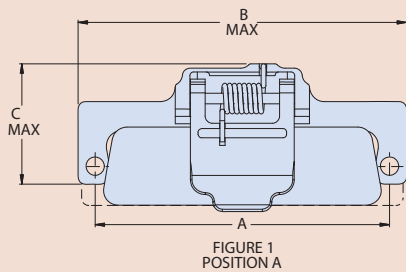
Pressure seal, dust and spray resistant

667-479 PROSEAL PROTECTIVE COVER FOR SERIES 28 HIPER-D CONNECTORS



How to Order 667-479							
Sample Part Number		667-479	NF	1	TO	A	K
Series	ProSeal protective cover for HiPer-D connectors						
Material / Finish	See Table II						
Shell Size	See Table I						
Panel Thickness	See Table III						
Connector Position	A = Figure 1 B = Figure 2						
Mounting Kit	K = supplied with Kit Omit for none						

- Pressure seal, dust and spray resistant
- Self-aligning
- Positive spring-action in closed position. Locks open at approximately 110° from receptacle face.



MATERIAL / FINISH

Cover, Lever Arm - Thermoplastic / black

Bracket - see Table II

Spings / Pins - 300 Series SST / Passivate

Sleeves - Delrin

Gasket - Silicone

Supplied with one kit of 559-001-049 with 2 jackpost mounting sets



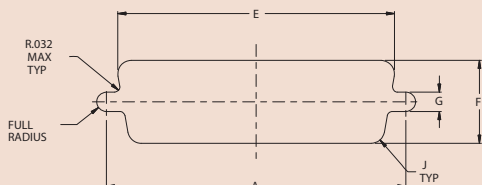
Table I: Dimensions						
Shell Size	A		B max		C max	
	in	mm	in	mm	in	mm
1	.984	24.99	1.28	32.51	.730	18.54
2	1.312	33.32	1.61	40.89	.730	18.54
3	1.852	47.04	2.15	54.61	.861	21.87
4	2.500	63.50	2.79	70.87	.966	24.54
5	2.406	61.11	2.70	68.58	1.022	25.96
6	2.500	63.50	2.79	70.87	1.022	25.96

Table II: Material and Finish		
Sym	Material	Finish
MT	Aluminum	Nickel-PTFE
ZR		Zinc-Nickel, Black (Tri-Valent CR)
M		Electroless Nickel
NF		Cad Plate / Olive Drab over Electroless Nickel
C		Anodize / Black
UC		Zinc Cobalt / Black

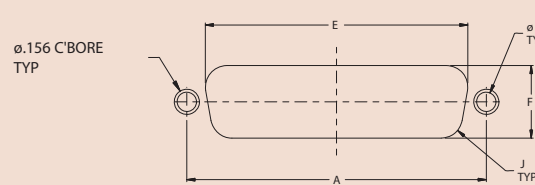
Table III: Panel Thickness				
Dash No.	Panel Thickness		D max	
	in	mm	in	mm
T0	.000	0.00	.703	17.86
T2	.031	0.79	.658	16.71
T3	.046	1.17	.658	16.71
T4	.060	1.52	.658	16.71

Table IV: Front-Mount										
Shell Size	A ±.005 (.13)		E ±.005 (.13)		F ±.005 (.13)		G ±.002 (.05)		J ±.002 (.05)	
	in	mm	in	mm	in	mm	in	mm	in	mm
	1	.984	24.99	.874	22.20	.513	13.03	.120	3.05	.083
2	1.312	33.32	1.202	30.53	.513	13.03	.120	3.05	.083	2.11
3	1.852	47.04	1.743	44.27	.513	13.03	.120	3.05	.083	2.11
4	2.500	63.50	2.391	60.73	.513	13.03	.120	3.05	.083	2.11
5	2.406	61.11	2.297	58.34	.623	15.82	.120	3.05	.083	2.11
6	2.500	63.50	2.421	61.49	.685	17.40	.120	3.05	.083	2.11

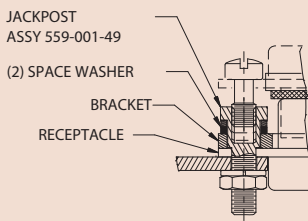
Table V: Rear-Mount										
Shell Size	A ±.005 (.13)		E ±.005 (.13)		F ±.005 (.13)		G ±.002 (.05)		J ±.002 (.05)	
	in	mm	in	mm	in	mm	in	mm	in	mm
	1	.984	24.99	.806	20.47	.449	11.40	.120	3.05	.132
2	1.312	33.32	1.134	28.80	.449	11.40	.120	3.05	.132	3.35
3	1.852	47.04	1.674	42.52	.449	11.40	.120	3.05	.132	3.35
4	2.500	63.50	2.326	59.08	.449	11.40	.120	3.05	.132	3.35
5	2.406	61.11	2.218	56.34	.555	14.10	.120	3.05	.132	3.35
6	2.500	63.50	2.352	59.74	.623	15.82	.120	3.05	.132	3.35



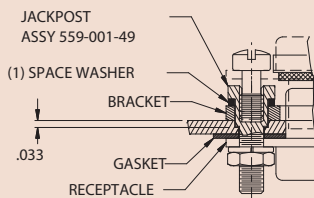
FRONT-MOUNT CUTOUT



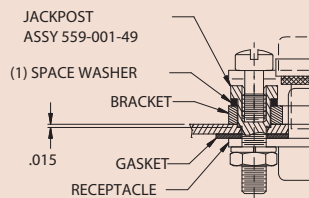
REAR-MOUNT CUTOUT



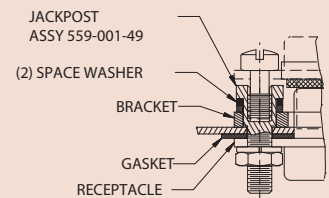
FRONT-MOUNT LAYOUT



REAR-MOUNT TO .06 PANEL WITH C'BORE TO .030 THICK



REAR-MOUNT TO .045 PANEL



REAR-MOUNT TO .030 PANEL