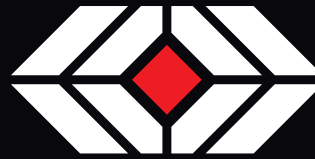


SERIES 151 MIL-DTL-55116 TYPE Jam Nut Audio Receptacle with PC Tails and 3 ground pins



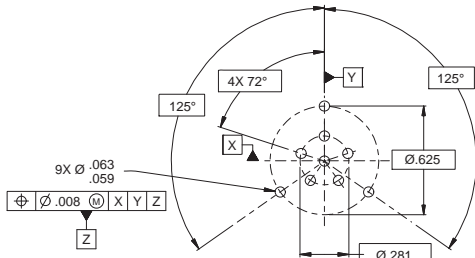
TACTICAL INTERCONNECT SOLUTIONS

151-010



151-010 MIL-DTL-55116 type receptacles available in 5 or 6 pin configuration, equipped with PC tails and 3 shell ground contacts. Shell and nut are stainless steel with passivated/light sand blasted finish IAW MIL-F-14072 type F300. Contacts are gold plated copper.

How To Order			
Sample Part Number	151-010	-2	-4
Product Series	MIL-DTL-55116 type jam nut audio receptacle with PC tail contacts and 3 shell ground contacts		
Connector Style	-1 = U-183 type 5-pin -2 = U-183 type 6-pin		
PC tail type	see Table II		



PCB HOLE LAYOUT
(151-010-2-X SHOWN)
Angular position of PCB tails is $\pm 2^\circ$.
PCB layout will accommodate this tolerance.

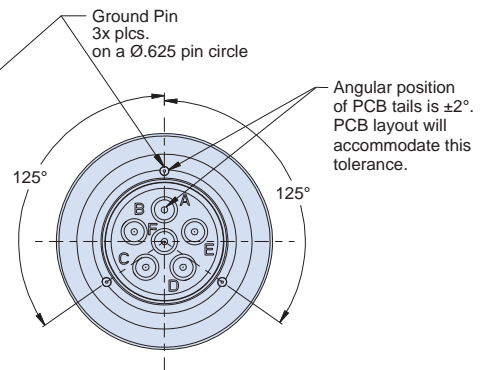
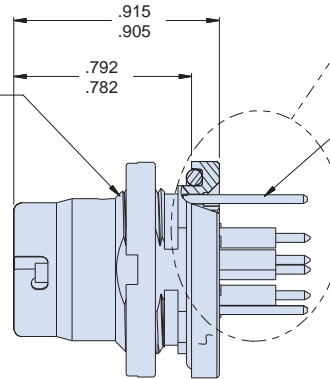
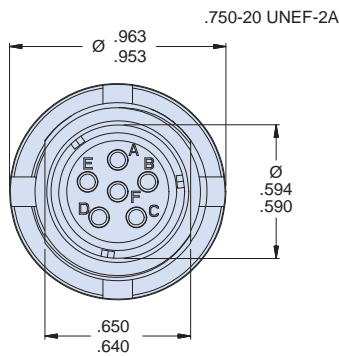
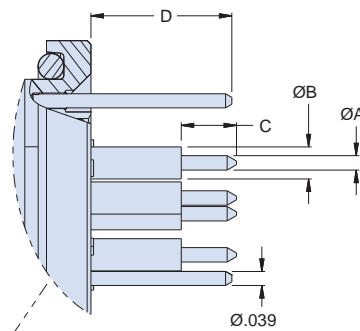
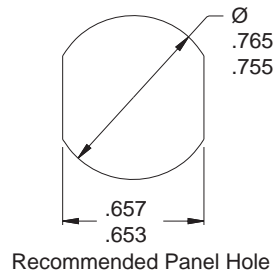


Table II: PC Tail Dimensions				
Dash No.	Ø A	Ø B	C	D
-1	.040	.089	.115	.169
-2	.040	—	—	.437
-3	.028	.089	.188	.590
-4	.028	.089	.125	.194
-5	.028	.089	.208	.257
-6	.040	—	—	.110
-7	.028	.089	.150	.437
-8	.030	—	—	.120
-9	.028	.089	.140	.390
-10	.040	—	—	.744
-11	.030			.564
-12	.040			.110
-13	.040	—	—	.900

600-196 Spanner Tool	
	Spanner tool with socket drive attachment for all Series 151 and 152 55116 receptacles