

SERIES 151 MIL-DTL-55116 TYPE Protective Covers for 151 and 152 Series Plugs/Receptacles



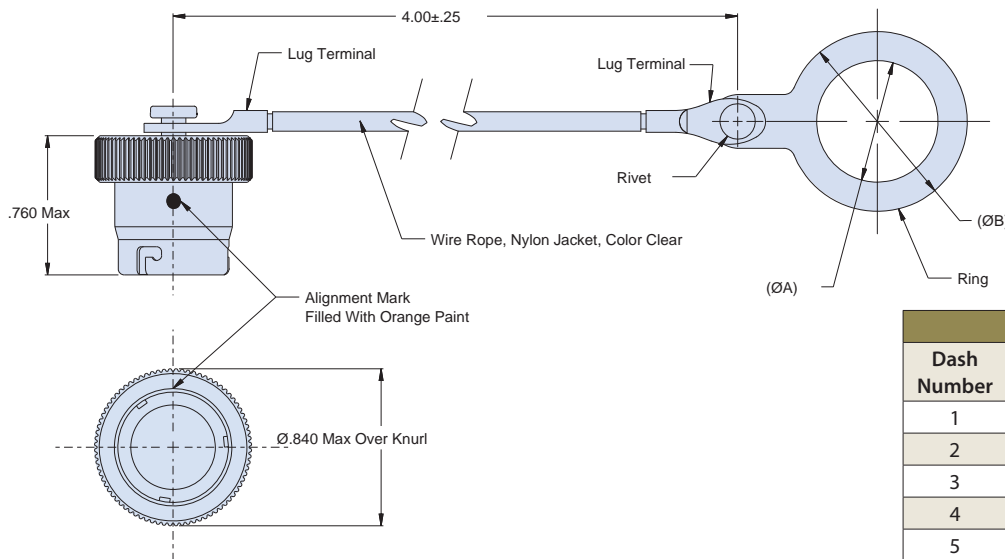
TACTICAL INTERCONNECT SOLUTIONS

667-374 and 667-355



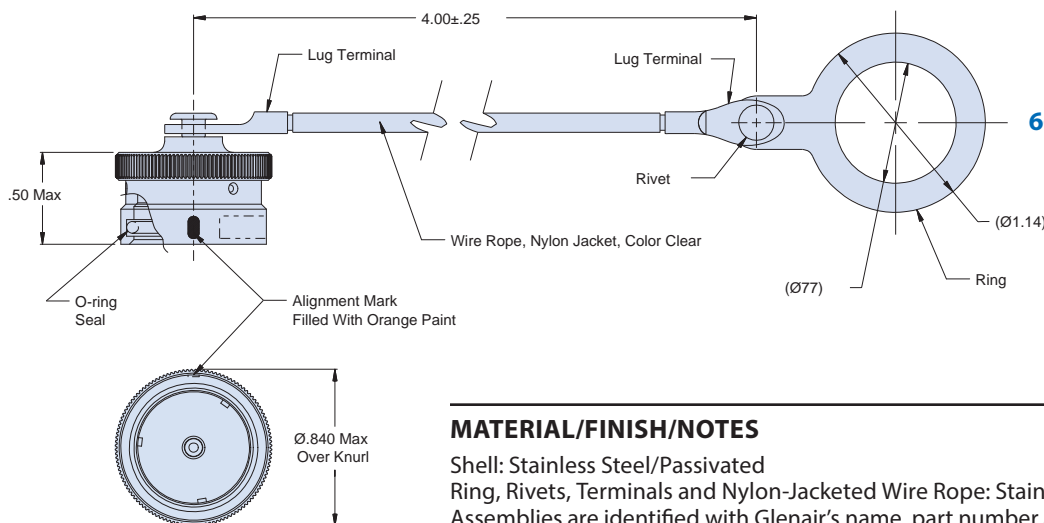
667-374/355 Protective Covers are designed for high-reliability, severe environment communications Series 151 MIL-DTL-55116 Type Connectors and meet the interface configurations and specifications of MIL-DTL-55116C.

How To Order			
Sample Part Number	667-374	ZMT	-3
Cover Configuration	667-374 = Plug cover 667-355 = Receptacle cover		
Finish	ZMT = Nickel Teflon over Passivated Stainless Steel (Omit for Stainless Steel, Passivated)		
Dash Number (Plug Cover only)	See Table I		



667-374 Plug cover

Table 1 Plug Cover Dash No.		
Dash Number	A Dia	B Dia
1	.516 (13.11)	.891 (22.63)
2	.587 (14.91)	.805 (20.45)
3	.587 (14.91)	.805 (20.45)
4	.646 (16.41)	1.016 (25.81)
5	.713 (18.11)	.995 (25.27)



667-355 Receptacle cover

MATERIAL/FINISH/NOTES

Shell: Stainless Steel/Passivated
Ring, Rivets, Terminals and Nylon-Jacketed Wire Rope: Stainless Steel/Passivated
Assemblies are identified with Glenair's name, part number and date code, space permitting.