

#### Application Notes:

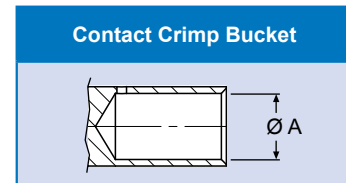
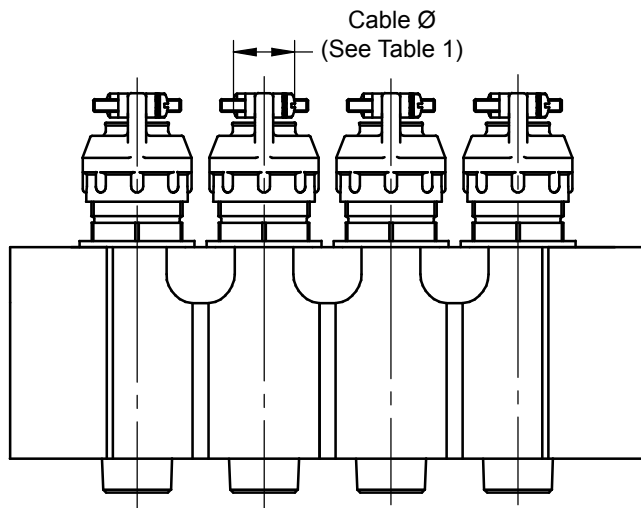
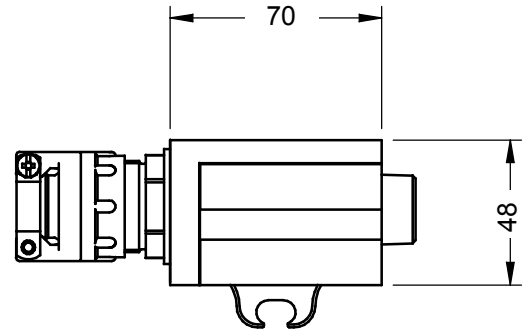
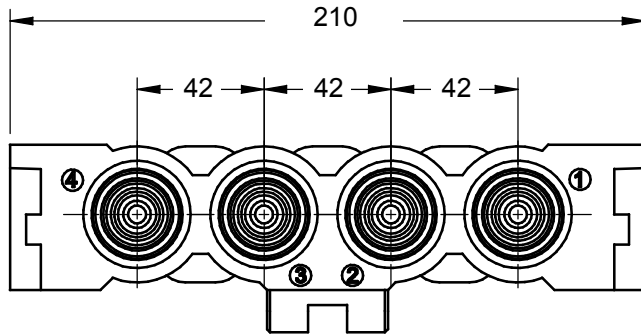
- Plug with clamp with strain relief. RoHs compliant.
- Working voltage: 1500 Vac.
- Test voltage: 4500 Vac.
- Water proof: IP67 level (coupled connectors).
- Contact resistance: 0.3 mΩ max.
- Temperature range: -55 to +125°C.
- Contact: copper alloy silver plating.
- Insulator: UL94V0-NFF16-102:I2F1 (exigency 4).
- Shell: Aluminium alloy with electrodeposited black plating.
- Clearance in air: 16.0 mm Min.
- Creepage distance: 16.0 mm Min.

**IRT Series**  
**Rectangular Multi Pole Power Connector**  
 Plug Shell Size 03  
 Assembly for Clamp with Strain Relief



IRT  
Connectors

A



**TABLE 1 - CONTACTS**

| Contact Type | Male Contact P/N | Female Contact P/N | Crimp Bucket - A - (mm) | Cable Section (AWG) | Cable Section (mmq) | Cable Diameter (mmq) |     | Working Current (A) * | Max Current (A) * |
|--------------|------------------|--------------------|-------------------------|---------------------|---------------------|----------------------|-----|-----------------------|-------------------|
|              |                  |                    |                         |                     |                     | Min                  | Max |                       |                   |
| 1            | IRT-1-P-620G10   | IRT-1-S-620G10     | 6.2                     | 4                   | 25                  | 6                    | 13  | 120                   | 150               |
| 2            | IRT-2-P-1070G10  | IRT-2-S-1070G10    | 10.7                    | 1/0                 | 50                  | 10                   | 17  | 150                   | 250               |
| 3            | IRT-3-P-1650G10  | IRT-3-S-1650G10    | 16.5                    | 4/0                 | 120                 | 16                   | 19  | 350                   | 450               |
| 3A           | IRT-3-P-1440G10  | IRT-3-S-1440G10    | 14.4                    | 2/0                 | 70                  | 10                   | 17  | 250                   | 300               |
| 3B           | IRT-3-P-1440G10  | IRT-3-S-1440G10    | 14.4                    | 3/0                 | 95                  | 12.5                 | 16  | 320                   | 400               |

\* Related to cables section