



IRT Series
Rectangular Multi Pole Power Connector
 Receptacle Shell Size 02
 Assembly for Metallic Gland

A

IRT 02 R - 4 1 P M XX

Series IRT Multi Pole Power Connector

Connector Shell Size 02 (4 Contacts Screw Matings)

Shell Style R (Receptacle)

Number of Contacts 4

Modification

Omitted (for Standard)
B0 (Connector Less Contacts)

Backend
 Metallic Gland (M)

Contact Gender
P - Male
S - Female

Contact Type
 Different types can be used:
1 ; 2 ; 3 : All Same Contact type
 Example 3(1)-1(2) Different Contact Types
 (See Table 1)



Application Notes:

- Receptacle with metallic gland. RoHs compliant.
- Working voltage: 1500 Vac.
- Test voltage: 4500 Vac.
- Water proof: IP67 level (coupled connectors).
- Contact resistance: 0.3 mΩ max.
- Temperature range: -55 to +125°C.
- Contact: copper alloy silver plating.
- Insulator: UL94V0-NFF16-102:I2F1 (exigency 4).
- Shell: Aluminium alloy with electrodeposited black plating.
- Clearance in air: 16.0 mm Min.
- Creepage distance: 16.0 mm Min.

IRT Series
Rectangular Multi Pole Power Connector
 Receptacle Shell Size 02
 Assembly for Metallic Gland



IRT
Connectors

A

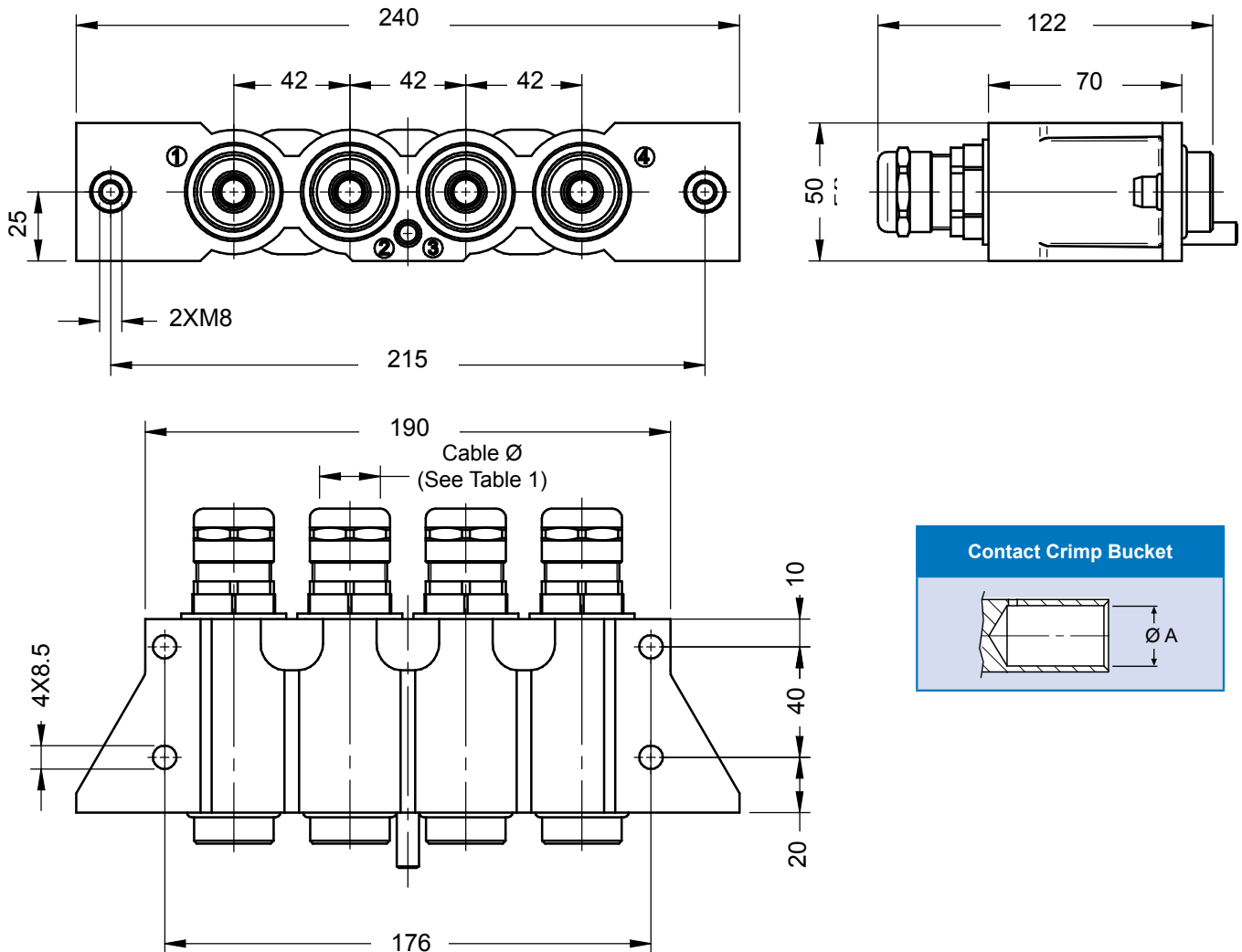


TABLE 1 - CONTACTS

Contact Type	Male Contact P/N	Female Contact P/N	Crimp Bucket - A - (mm)	Cable Section (AWG)	Cable Section (mmq)	Cable Diameter (mmq)		Working Current (A) *	Max Current (A) *
						Min	Max		
1	IRT-1-P-620G10	IRT-1-S-620G10	6.2	4	25	6	13	120	150
2	IRT-2-P-1070G10	IRT-2-S-1070G10	10.7	1/0	50	10	17	150	250
3	IRT-3-P-1650G10	IRT-3-S-1650G10	16.5	4/0	120	16	19	350	450
3A	IRT-3-P-1440G10	IRT-3-S-1440G10	14.4	2/0	70	10	17	250	300
3B	IRT-3-P-1440G10	IRT-3-S-1440G10	14.4	3/0	95	12.5	16	320	400

* Related to cables section