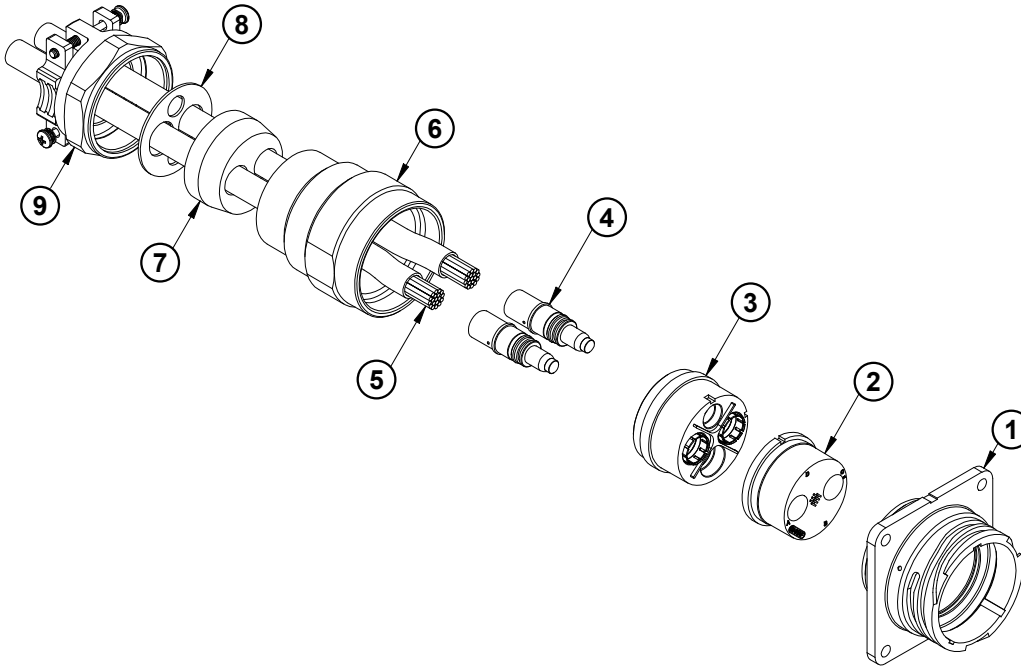


Assembly Instructions - Receptacle Connector

Items Description

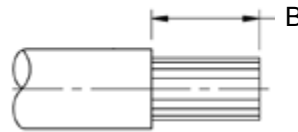
- 1 - Receptacle shell
- 2 - Front Male Insert
- 3 - Back Insert Group
- 4 - Pin Contacts
- 5 - Wires (Not Supplied)
- 6 - Backshell
- 7 - Sealing Grommet
- 8 - Compression Ring
- 9 - Cable Clamp



Step 1

TABLE 5

Contact Type	B (mm)
1	12.7
2	14.0
3 (3A, 3B, 3C)	23.2
4 (4A, 4B, 4C)	23.2



Cut and strip the cable (See TABLE 5)

Step 2



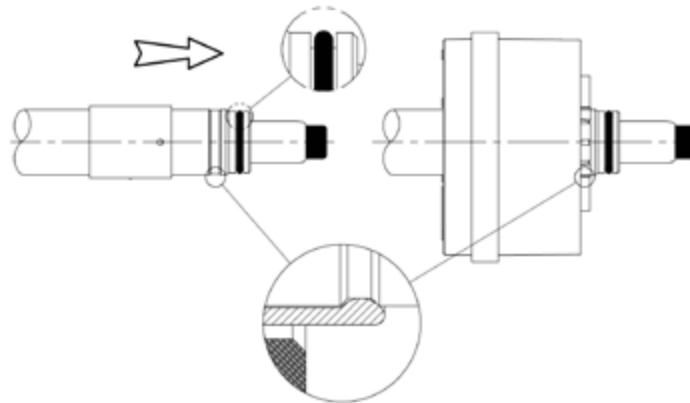
Crimp contacts (4) on conductors.

B

ITS 901 Series
Reverse Bayonet Multi Pole Power Connector
Assembly Instructions - Receptacle Connector

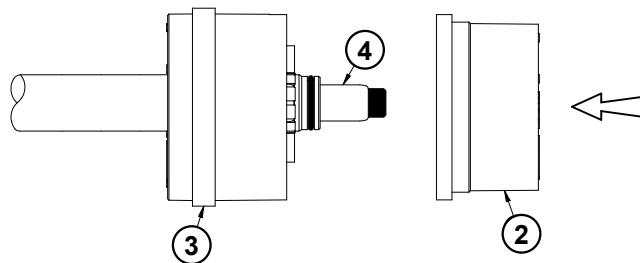


Step 3



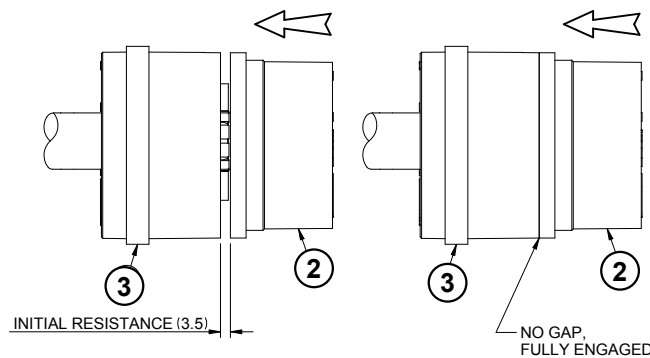
Insert the contact (4) crimped into the back insert (3) until to block in the retention clip.

Step 4



Close the front insert (2) to against the rear insert (3) and check that is assembled correctly per the picture below (Step 5).

Step 5



Put the insert into the receptacle shell (1), according with internal key. Screw the backshell (6) and tighten.

Torque force = 30 N/m .

Put the grommet (7) and the Compression Ring (8) into the backshell (6) and tighten the clamp.

Torque force = 40 N/m .

Electrical Test: Insulation resistance 5000 Mohm (Min).

Test Voltage: 800 - 1000 Vdc (1 min.) according with the arrangement.