

TABLE 3 - MODIFICATION CODES

| Name | Modification |
|---------|---|
| Omitted | Standard |
| B0 | Connector Less Contacts |
| F7 | Conductive Black Plating |
| MXX | Modified Contacts M3A, M3B and M3C for 3 Contacts Type M4A, M4B and M4C for 4 Contacts Type |



Application Notes:

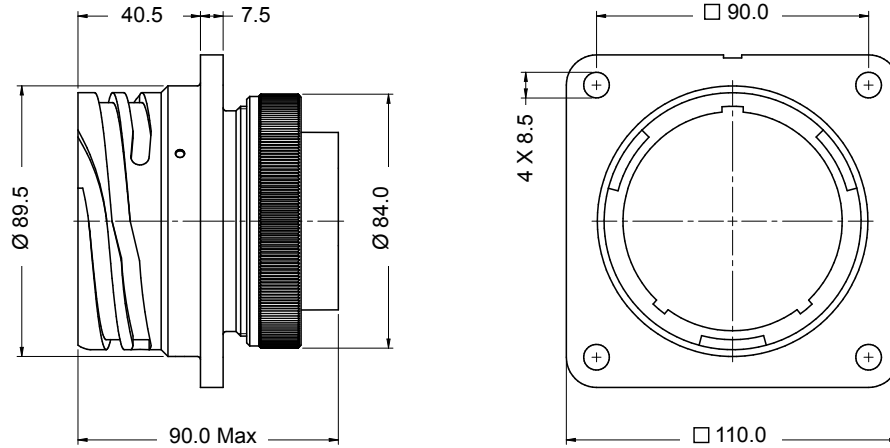
- Front and rear mount receptacle without backshell. RoHS Compliant.
- Working voltage: 800-1000 Vac. Test voltage: 2800 - 3800 Vac 50Hz (1 min.). See Table 1 - Inserts.
- Water proof : IP67 level (coupled connectors).
- Contact resistance: 0.2 to 0.5 mΩ Max.
- Temperature range: -55 +125°C.
- Contact: copper alloy with silver plating.
- Insulator: black thermoplastic resin according with UL94V0-NFF16-102 I1 F2 (Exigency 3).
- Shells: Aluminium alloy with electrodeposited black paint.

ITS 901 02

Front and Rear Mount Receptacle Connector



ITS 901
Connectors



B

TABLE 1 - INSERTS

| Insert Front View | | | | |
|--------------------------|---------------|---------------|---------------|---------------|
| Arrangement | 50-2 | 50-3 | 50-31 | 50-N31 |
| Contact Type | 4 | 3 | 3 (3) - 1 (2) | 3 (3) - 1 (1) |
| Alternative Contact Type | 4A, 4B and 4C | 3A, 3B and 3C | 3A, 3B and 3C | 3A, 3B and 3C |
| Working Voltage | 800 VAC | 800 VAC | 800 VAC | 1.000 VAC.8 |
| Test Voltage | 2.800 VAC | 2.800 VAC | 2.800 VAC | 3.800 VAC |
| Clearance in Air (mm) | 3.5 | 3.5 | 3.5 | 12.0 |
| Creepage Distance (mm) | 9.7 | 9.7 | 9.7 | 38.0 |

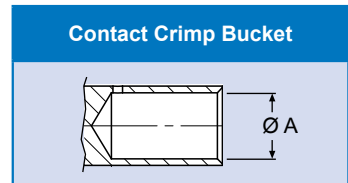


TABLE 2 - STANDARD AND ALTERNATIVE CONTACTS (Referred to TABLE 1)

| Contact Type | Male Contact P/N | Female Contact P/N | Crimp Bucket - A - (mm) | Cable Section (mmq) | Working Current (A) * | Max Current (A) * |
|--------------|------------------|--------------------|-------------------------|---------------------|-----------------------|-------------------|
| 1 | 901-1-P-550G10 | 901-1-S-550G10 | 5.5 | AWG 4 | 120 | 150 |
| 2 | 901-2-P-1150G10 | 901-2-S-1150G10 | 11.5 | AWG 1/0 | 150 | 250 |
| 3 | 901-3-P-1650G10 | 901-3-S-1650G10 | 16.5 | AWG 4/0 | 350 | 450 |
| 4 | 901-4-P-1780G10 | 901-4-S-1780G10 | 17.8 | 262 MCM | 450 | 520 |
| 3A | 901-3A-P-1440G10 | 901-3A-S-1440G10 | 14.4 | AWG 3/0 | 320 | 400 |
| 3B | 901-3A-P-1440G10 | 901-3A-S-1440G10 | 13.3 | AWG 2/0 | 250 | 300 |
| 3C | 901-3C-P-1150G10 | 901-3C-S-1150G10 | 11.5 | AWG 1/0 | 150 | 250 |
| 4A | 901-3-P-1650G10 | 901-3-S-1650G10 | 16.5 | AWG 4/0 | 350 | 450 |
| 4B | 901-3A-P-1440G10 | 901-3A-S-1440G10 | 14.4 | AWG 3/0 | 320 | 400 |
| 4C | 901-3A-P-1440G10 | 901-3A-S-1440G10 | 13.5 | AWG 2/0 | 250 | 320 |

* Related to cables section