

# ITS 901 06 - 1

## Straight Cylindrical Plug Assembly for Single Wires Cable Clamp

**ITS 901 06 50-2 P W 1 XX**

**Series ITS 901 Multi Pole  
Power Bayonet Connector**

**Connector Shell Style  
06 (Straight Plug)**

**Contact Arrangement  
50-2 (See Table 1 - Inserts)**

**Contact Gender**  
P (Male with Finger Test Protection-Load Side)  
S (Female)

**Modification**  
Omitted (for Standard)  
XX (See Table 3 - Modification Codes)

**Connector Backshell**  
1 (Single Wires Cable Clamp)

**Alternative Rotation**  
Omitted (for Standard Version)  
W: 90°(Second Polarization Key)

**TABLE 3: MODIFICATION CODES**

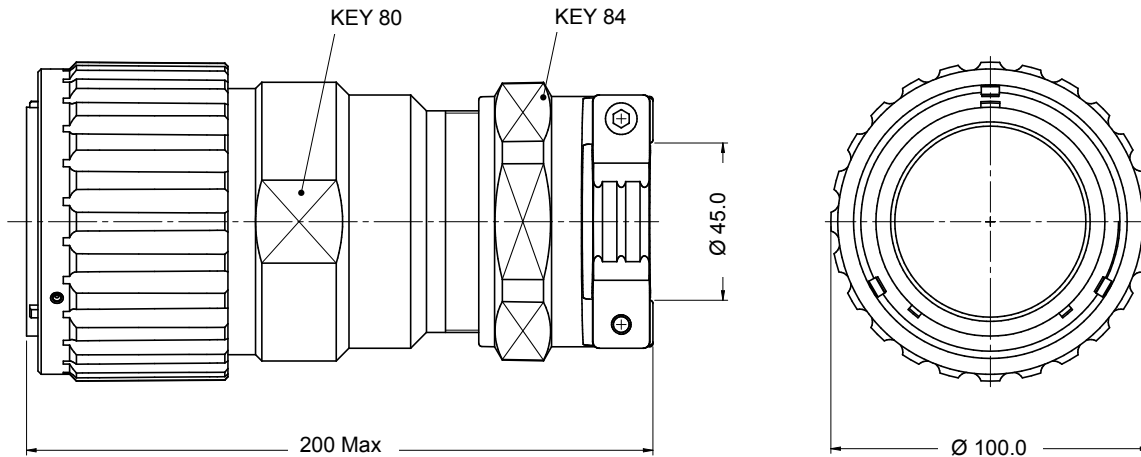
Name	Modification
Omitted	Standard
B0	Connector Less Contacts
F7	Conductive Black Plating
MXX	Modified Contacts M3A, M3B and M3C for 3 Contacts Type M4A, M4B and M4C for 4 Contacts Type



**Application Notes:**

- Straight Plug with backshell for single wires. RoHS Compliant.
- Working voltage: 800-1000 Vac. Test voltage: 2800 - 3800 Vac 50Hz (1 min.). See Table 1 - Inserts.
- Water proof : IP67 level (coupled connectors).
- Contact resistance: 0.2 to 0.5 mΩ Max.
- Temperature range: -55 +125°C.
- Contact: copper alloy with silver plating.
- Insulator: black thermoplastic resin according with UL94V0-NFF16-102 I1 F2 (Exigency 3).
- Shells: Aluminium alloy with electrodeposited black paint.

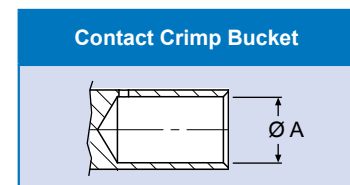
**ITS 901 06 - 1**  
**Straight Cylindrical Plug**  
**Assembly for Single Wires Cable Clamp**



**B**

**TABLE 1 - INSERTS**

Insert Front View				
<b>Arrangement</b>	50-2	50-3	50-31	50-N31
<b>Contact Type</b>	4	3	3 (3) - 1 (2)	3 (3) - 1 (1)
<b>Alternative Contact Type</b>	4A, 4B and 4C	3A, 3B and 3C	3A, 3B and 3C	3A, 3B and 3C
<b>Working Voltage</b>	800 VAC	800 VAC	800 VAC	1.000 VAC.8
<b>Test Voltage</b>	2.800 VAC	2.800 VAC	2.800 VAC	3.800 VAC
<b>Clearance in Air (mm)</b>	3.5	3.5	3.5	12.0
<b>Creepage Distance (mm)</b>	9.7	9.7	9.7	38.0



**TABLE 2 - STANDARD AND ALTERNATIVE CONTACTS (Referred to TABLE 1)**

Contact Type	Male Contact P/N	Female Contact P/N	Crimp Bucket - A - (mm)	Cable Section (mmq)	Working Current (A) *	Max Current (A) *
1	901-1-P-550G10	901-1-S-550G10	5.5	AWG 4	120	150
2	901-2-P-1150G10	901-2-S-1150G10	11.5	AWG 1/0	150	250
3	901-3-P-1650G10	901-3-S-1650G10	16.5	AWG 4/0	350	450
4	901-4-P-1780G10	901-4-S-1780G10	17.8	262 MCM	450	520
3A	901-3A-P-1440G10	901-3A-S-1440G10	14.4	AWG 3/0	320	400
3B	901-3A-P-1440G10	901-3A-S-1440G10	13.3	AWG 2/0	250	300
3C	901-3C-P-1150G10	901-3C-S-1150G10	11.5	AWG 1/0	150	250
4A	901-3-P-1650G10	901-3-S-1650G10	16.5	AWG 4/0	350	450
4B	901-3A-P-1440G10	901-3A-S-1440G10	14.4	AWG 3/0	320	400
4C	901-3A-P-1440G10	901-3A-S-1440G10	13.5	AWG 2/0	250	320

\* Related to cables section