

527-071

ARINC 600 Size 2 Backshell, EMI, TAG Ring®

■ TAG Ring for Individual Braid Shields



-01

Single Port Module for Cavity C



-02

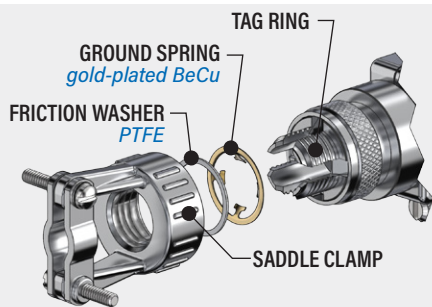
2 Port Module for Cavities A and B

527-071

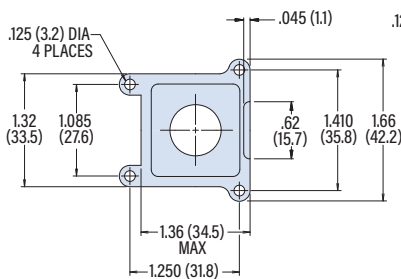
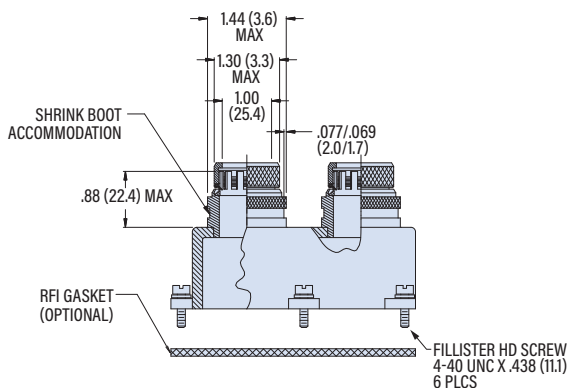
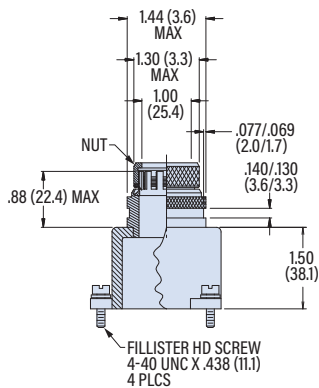
This EMI backshell fits ARINC 600 Size 2 connectors.

Backshell consists of two modules ordered separately: single port module for cavity C, and dual port module for cavities A and B. TAG® ring has fingers for individual braid shields. Optional RFI gasket. Aluminum shell, nut and clamp. PTFE friction washer, gold plated beryllium copper ground spring, stainless steel screws and washers. Optional RFI gasket is aluminum mesh in neoprene.

TAG® RING

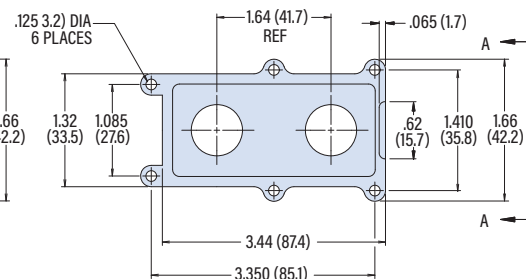


PART NUMBER	
Sample PN →	527-071 -02 R L
Base P/N	527-071
Module	-01 Single Port Module for Cavity C -02 Dual Port Module for Cavities A and B
RFI Gasket	Omit No Gasket R RFI Gasket included
Strain Relief	Omit Nut (requires shrink boot for strain relief) L Saddle Clamp



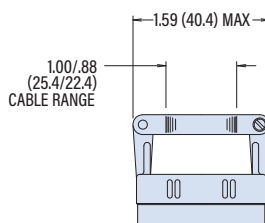
-01

SINGLE PORT MODULE FOR CAVITY C

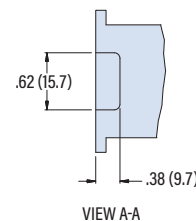


-02

DUAL PORT MODULE FOR CAVITIES A AND B



STYLE L SADDLE CLAMP



VIEW A-A