

527-114

M83527 Backshell, M25 and M28 Thread

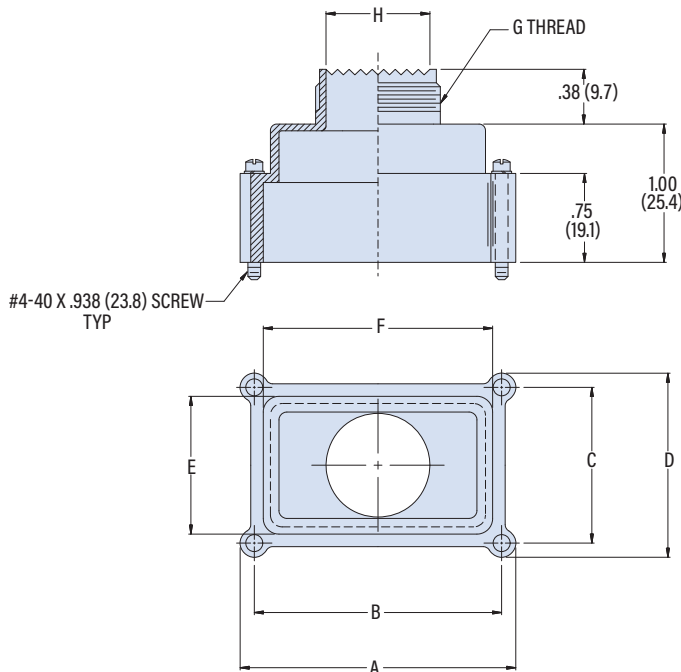
■ Adapter Code H (D38999) Entry



**527-114**  
 This M25 and M28 thread backshell adapter fits M83527 connectors

Backshell attaches to connector insert retainer plate holes. Two module sizes to fit both sizes of inserts. Backshell has metric threads and teeth conforming to MIL-DTL-38999 Series III/IV interface standard (Adapter Code H). Add strain relief clamp or EMI adapter, sold separately.  
 Aluminum shell, stainless steel screws and washers.

PART NUMBER				
Sample PN→	527-114	NF	01	17
Base P/N	527-114			
Finish	M	Electroless Nickel		
	TZ	Tin-Zinc		
	NF	Olive Drab Cadmium		
Module Size	01	Large- for Cavities A, C, E		
	02	Small- for Cavities B, D, F		
Entry Size	17	M25 Thread, .828 (21.0) I.D.		
	19	M28 Thread, .910 (23.1) I.D.		



Module Size	A		B		C		D		E		F	
	in	mm	in	mm	in	mm	in	mm	in	mm	in	mm
01	1.97	50.0	1.770	45.0	1.187	30.1	1.39	35.3	1.125	28.6	1.615	41.0
02	1.53	38.9	1.329	33.8	1.187	30.1	1.39	35.3	1.125	28.6	1.175	29.8

ENTRY SIZE			
Entry Size	G Thread	ø H	
		in	mm
17	M25 X 1.0-6g	.828	21.0
19	M28 X 1.0-6g	.910	23.1

ARINC 600 / M83527 ACCESSORIES