

527-543

M83527 Backshell, EMI Banding

■ Band-Master ATS Shield Termination



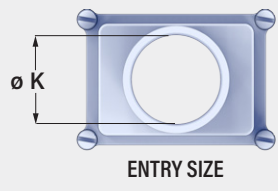
527-543

This EMI banding backshell fits M83527 connectors

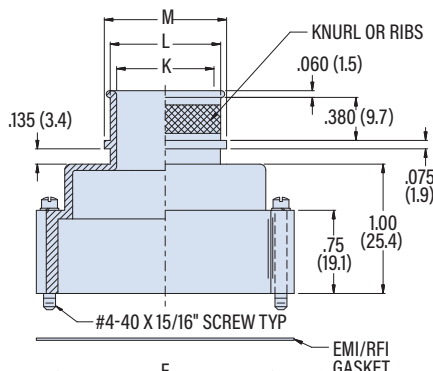
Attach cable shield to backshell with Band-Master ATS banding strap. Backshell attaches to connector insert retainer plate holes. Two module sizes to fit both sizes of inserts. Backshell has groove for optional lipped shrink boot.

Aluminum shell, stainless steel screws and washers. EMI gasket: monel mesh embedded in neoprene.

PART NUMBER	
Sample PN →	527-543 NF 01 05 T J
Base P/N	527-543
Finish	M Electroless Nickel
	TZ Tin-Zinc
	NF Olive Drab Cadmium
Module Size	01 Large- for Cavities A, C, E
	02 Small- for Cavities B, D, F
Entry Size	Entry Size ϕ K
	03 .375 (9.5)
	04 .500 (12.7)
	05 .625 (15.9)
	06 .750 (19.1)
	07 .875 (22.2)
Shrink Boot Option	Omit None
	T Standard Heatshrink Boot
	TI Standard Heatshrink Boot w/ Hot Melt Adhesive
	H Zero Halogen Heatshrink Boot
	HI Zero Halogen Heatshrink Boot w/ Hot Melt Adhesive
Band	Omit No Band
	B Standard Band Included
	J Slim Standard Band Included



ENTRY SIZE						
Entry Size	ϕ K		ϕ L		ϕ M	
	in	mm	in	mm	in	mm
03	.375	9.5	.500	12.7	.562	14.3
04	.500	12.7	.625	15.9	.688	17.5
05	.625	15.9	.750	19.1	.812	20.6
06	.750	19.1	.875	22.2	.938	23.8
07	.875	22.2	1.000	25.4	1.062	27.0



SHRINK BOOT



Optional heatshrink boot provides cable strain relief and environmental protection. Standard boot is high performance semi-rigid elastomer. Zero halogen boot is semi-rigid polyolefin. Available with W1 hot melt adhesive pre-coat. Add "W1" to part number to specify hot melt adhesive pre-coat.

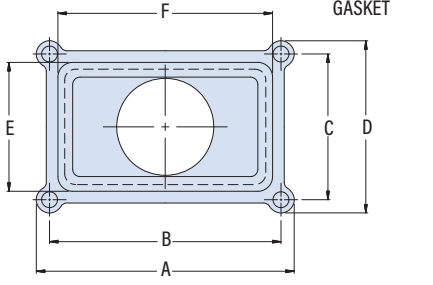
Entry Size	Standard Boot	Zero Halogen Boot
03	770-001S103	770-001S203
04	770-001S104	770-001S204
05	770-001S104	770-001S204
06	770-001S105	770-001S205
07	770-001S105	770-001S205

BAND OPTIONS

Terminate cable braid to backshell with optional band strap and banding tool. Pre-coiled bands are passivated stainless steel. Slim Standard bands have reduced thickness for weight reduction.



Band Type and Width	Hand Tool	Pneumatic Tool
Standard: .24 (6.1)	601-100	601-106
Slim Standard: .24 (6.1)	601-109	601-110



Module Size	A		B		C		D		E		F	
	in	mm	in	mm	in	mm	in	mm	in	mm	in	mm
01	1.97	50.0	1.770	45.0	1.187	30.1	1.39	35.3	1.125	28.6	1.615	41.0
02	1.53	38.9	1.329	33.8	1.187	30.1	1.39	35.3	1.125	28.6	1.175	29.8

ARINC 600 / M83527 ACCESSORIES