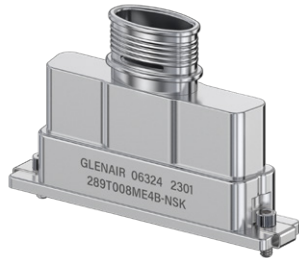


D-Subminiature

289-008

Banding Backshell, HiPer-D

- Solid Backshell
- Banding Shield Termination
- Environmental



T Top Entry



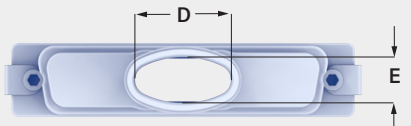
S Side Entry

Lightweight, one piece, banding. 289-008 backshell fits M24308 D-Subminiature and Series 28 HiPer-D connectors. Internal gasket provides environmental protection when used with Series 28 connector and boot. Heatshrink boot groove accepts lipped Series 77 lipped boots. Terminate cable shield to backshell with .24" wide banding strap. Available in top or side entry. Aluminum with passivated stainless steel screwlocks and clips. Fluorosilicone gasket.

289-008

This accessory fits HiPer-D and D-Subminiature M24308 connectors.

TABLE 1
ENTRY SIZE



Shell Size	Entry Size	D		E	
		in	mm	in	mm
1	A	.143	3.6	.143	3.6
	B	.195	5.0	.195	5.0
	C	.242	6.2	.242	6.2
	D	.438	11.1	.375	9.5
	E	.638	16.2	.375	9.5
2	A	.188	4.8	.188	4.8
	B	.256	6.5	.256	6.5
	C	.480	12.2	.375	9.5
	D	.688	17.5	.375	9.5
	E	.969	24.6	.375	9.5
3	A	.245	6.2	.245	6.2
	B	.550	14.0	.375	9.5
	C	.780	19.8	.375	9.5
	D	1.125	28.6	.375	9.5
	E	1.484	37.7	.375	9.5
4	A	.291	7.4	.291	7.4
	B	.800	20.3	.375	9.5
	C	1.260	32.0	.375	9.5
	D	1.813	46.1	.375	9.5
	E	2.155	54.7	.375	9.5
5	A	.326	8.3	.326	8.3
	B	.770	19.6	.485	12.3
	C	1.250	31.8	.485	12.3
	D	1.750	44.5	.485	12.3
	E	2.031	51.6	.485	12.3
6	A	.376	9.6	.376	9.6
	B	.863	21.9	.550	14.0
	C	1.323	33.6	.550	14.0
	D	1.875	47.6	.550	14.0
	E	2.165	55.0	.550	14.0

PART NUMBER

Sample PN → **289T008 ME 3 A T S K**

Base P/N	289T008 T Top Entry 289S008 S Side Entry
Finish	TZ Tin-Zinc MN MegaNickel JF Cadmium, Yel. Chromate M Electroless Nickel NF Olive Drab Cadmium MT Nickel-PTFE ZR Black Zinc-Nickel
Shell Size	1 2 3 4 5 6
Entry Size	A B C D E See Table 1
Qwik-Ty	N No Qwik-Ty Strain Relief Arm T Qwik-Ty Arm Included
Slots	N No Slots S Slots in Banding Area
Band	Omit No Band K Standard Band Included J Slim Standard Band Included
Entry Direction	<i>Applies to 289S008 Side Entry Omit for 289T008 Top Entry</i> 1 Direction 1 2 Direction 2
Screwlocks	Omit Socket Head Male Screwlocks T Extended Slot Head Male Screwlocks <i>Entry Sizes ABCD only</i> W Socket Head Male Screwlocks with Safety Wire Holes N Through Holes, No Screwlocks

D-SUBMINIATURE ACCESSORIES

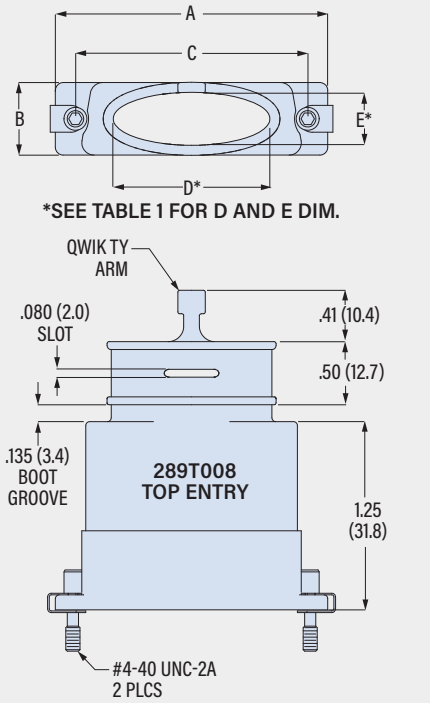
D-Subminiature

289-008

Banding Backshell, HiPer-D

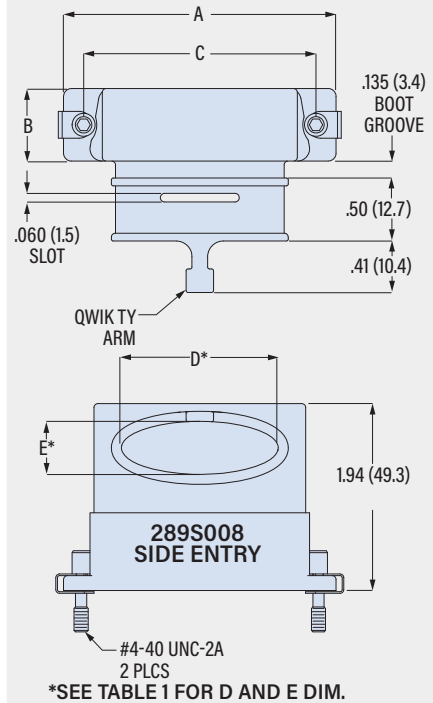
- Solid Backshell
- Banding Shield Termination
- Environmental

289T008 TOP ENTRY



Shell Size	A Max		B Max		C	
	in	mm	in	mm	in	mm
1	1.395	35.4	.624	15.9	.984	25.0
2	1.706	43.3	.624	15.9	1.312	33.3
3	2.265	57.5	.624	15.9	1.852	47.0
4	2.900	73.7	.624	15.9	2.500	63.5
5	2.800	71.1	.750	19.1	2.406	61.1
6	2.900	73.7	.844	21.4	2.500	63.5

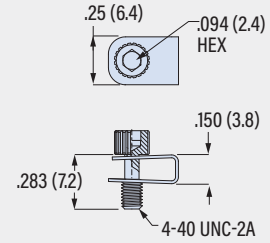
289S008 SIDE ENTRY



Shell Size	A Max		B Max		C	
	in	mm	in	mm	in	mm
1	1.395	35.4	.624	15.9	.984	25.0
2	1.706	43.3	.624	15.9	1.312	33.3
3	2.265	57.5	.624	15.9	1.852	47.0
4	2.900	73.7	.624	15.9	2.500	63.5
5	2.800	71.1	.750	19.1	2.406	61.1
6	2.900	73.7	.844	21.4	2.500	63.5

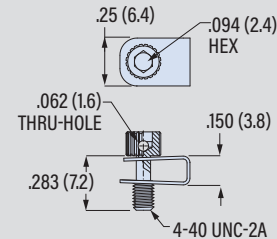
SCREWLOCK OPTIONS

No Designator
4-40 Socket Head Male Jackscrews with Clips

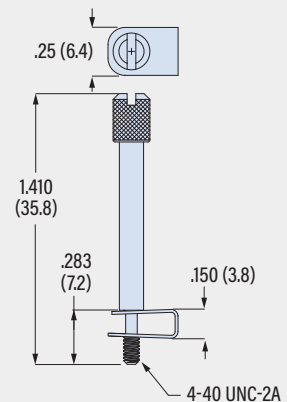


Part Number **289-092**
Order 1 per backshell

W
4-40 Socket Head Male Jackscrews with Safety Wire Hole. Clips are included.



T
4-40 Extended Length Slotted Male Screwlocks With Clips



Part Number **289-068Z1**
Order 1 per backshell

BAND OPTIONS

Terminate cable braid to backshell with optional band strap and banding tool. Pre-coiled bands are passivated stainless steel. Slim Standard bands have reduced thickness for weight reduction.



Band Type and Width	Hand Tool	Pneumatic Tool
Standard: .24 (6.1)	601-100	601-106
Slim Standard: .24 (6.1)	601-109	601-110