

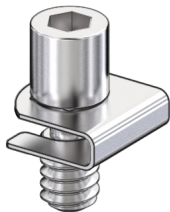
# D-Subminiature

## 289-062

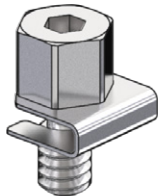
### Jackscrew, HiPer-D

- For Connector without Backshell
- Fits Series 28 HiPer-D and M24308
- Includes Retention Clip

#### 289-062 JACKSCREW FOR HIPER-D CONNECTOR WITHOUT BACKSHELL



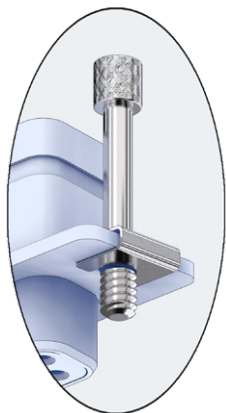
Socket Head Jackscrew



Hex Head Jackscrew



Slot Head Jackscrew

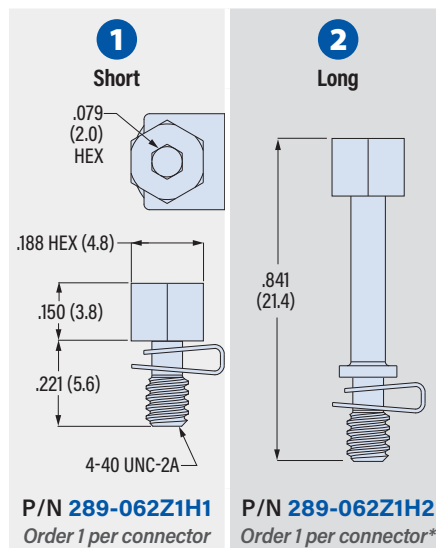


Long Jackscrew

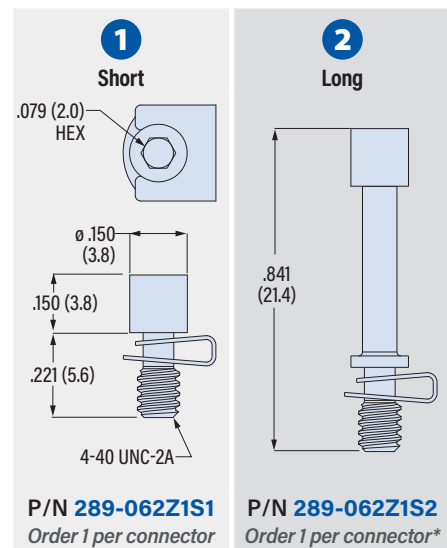
Jackscrew fits Series 28 HiPer-D and M24308 D-Subminiature connectors. Available in two lengths and three styles: socket head, hex head and knurled slot head. For connector without backshell. Kit includes (2) jackscrews and (2) clips. 300 Series stainless steel. *Order (1) kit per connector.*

| PART NUMBER       |                  |                    |
|-------------------|------------------|--------------------|
| Length            | Head Style       | Part No.           |
| <b>Short</b><br>1 | Socket Head      | <b>289-062Z1S1</b> |
|                   | Hex Head         | <b>289-062Z1H1</b> |
|                   | Knurled Slot Hd. | <b>289-062Z1F1</b> |
| <b>Long</b><br>2  | Socket Head      | <b>289-062Z1S2</b> |
|                   | Hex Head         | <b>289-062Z1H2</b> |
|                   | Knurled Slot Hd. | <b>289-062Z1F2</b> |

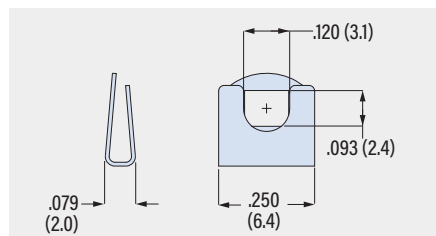
#### HEX HEAD



#### SOCKET HEAD

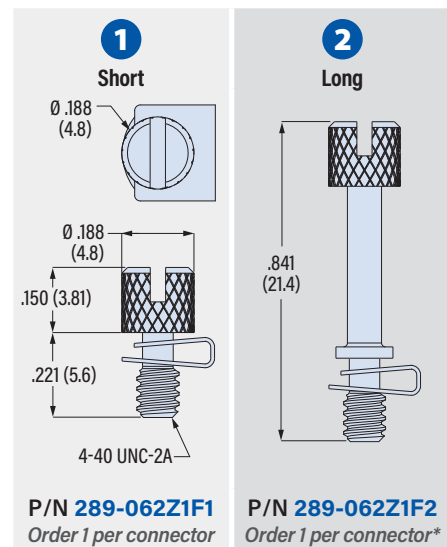


#### RETENTION CLIP



\*the '2' length Long jackscrew does not work with backshells 289T005, 289S005, 289T008, and 289S008. Order '1' length Short jackscrew for these backshells.

#### KNURLED SLOT HEAD



D-SUBMINIATURE ACCESSORIES