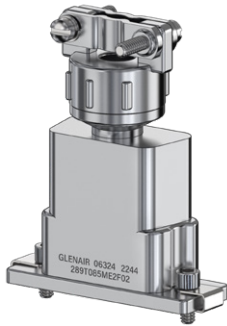


D-Subminiature

289-085

EMI Backshell, Solid

- Solid Backshell
- Cone-and-Ring Shield Termination
- Saddle Clamp Strain Relief

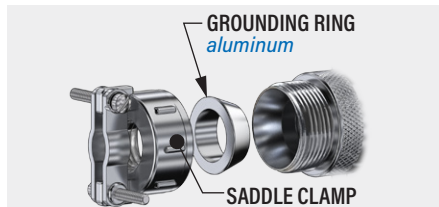


289-085

This accessory fits HiPer-D and D-Subminiature M24308 connectors.

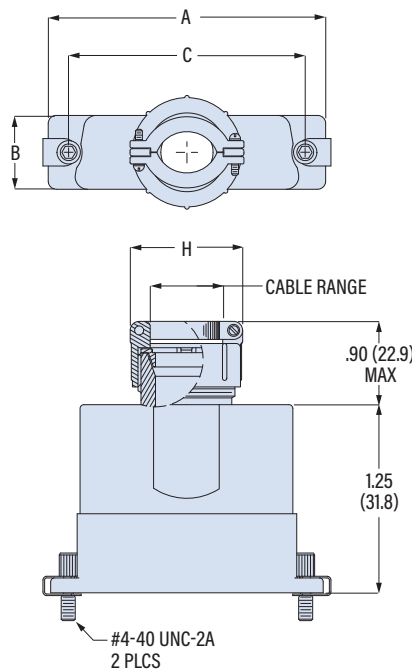
EMI, one piece, saddle clamp. 289-085 backshell fits M24308 D-Subminiature and Series 28 HiPer-D connectors. Shielded backshell has grounding ring and saddle clamp strain relief. Connector flange is fully recessed into backshell. Aluminum with passivated stainless steel hardware.

CONE-AND-RING SHIELD TERMINATION



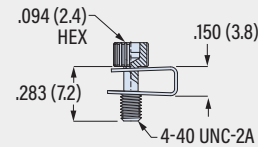
Shell Size	A Max in	A Max mm	B Max in	B Max mm	C in	C mm	Max Entry Size
1	1.395	35.4	.624	15.9	.984	25.0	04
2	1.706	43.3	.624	15.9	1.312	33.3	06
3	2.265	57.5	.624	15.9	1.852	47.0	08
4	2.900	73.7	.624	15.9	2.500	63.5	08
5	2.800	71.1	.750	19.1	2.406	61.1	08
6	2.900	73.7	.844	21.4	2.500	63.5	08

PART NUMBER																																	
Sample PN →	289T085 ME 3 F 05																																
Base P/N	289T085																																
Finish	TZ Tin-Zinc MN MegaNickel JF Cadmium, Yel. Chromate M Electroless Nickel NF Olive Drab Cadmium MT Nickel-PTFE ZR Black Zinc-Nickel																																
Shell Size	1 2 3 4 5 6																																
Strain Relief	F Saddle Clamp																																
Entry Size	<table border="1"> <thead> <tr> <th>Entry Size</th> <th>Min</th> <th>Max</th> <th>Shell Size</th> </tr> </thead> <tbody> <tr> <td>02</td> <td>.125 (3.2)</td> <td>.250 (6.4)</td> <td>1-6</td> </tr> <tr> <td>03</td> <td>.250 (6.4)</td> <td>.375 (9.5)</td> <td>1-6</td> </tr> <tr> <td>04</td> <td>.312 (7.9)</td> <td>.500 (12.7)</td> <td>1-6</td> </tr> <tr> <td>05</td> <td>.437 (11.1)</td> <td>.625 (15.9)</td> <td>2-6</td> </tr> <tr> <td>06</td> <td>.562 (14.3)</td> <td>.750 (19.1)</td> <td>2-6</td> </tr> <tr> <td>07</td> <td>.687 (17.4)</td> <td>.875 (22.2)</td> <td>6</td> </tr> <tr> <td>08</td> <td>.812 (20.6)</td> <td>1.000 (25.4)</td> <td>6</td> </tr> </tbody> </table>	Entry Size	Min	Max	Shell Size	02	.125 (3.2)	.250 (6.4)	1-6	03	.250 (6.4)	.375 (9.5)	1-6	04	.312 (7.9)	.500 (12.7)	1-6	05	.437 (11.1)	.625 (15.9)	2-6	06	.562 (14.3)	.750 (19.1)	2-6	07	.687 (17.4)	.875 (22.2)	6	08	.812 (20.6)	1.000 (25.4)	6
Entry Size	Min	Max	Shell Size																														
02	.125 (3.2)	.250 (6.4)	1-6																														
03	.250 (6.4)	.375 (9.5)	1-6																														
04	.312 (7.9)	.500 (12.7)	1-6																														
05	.437 (11.1)	.625 (15.9)	2-6																														
06	.562 (14.3)	.750 (19.1)	2-6																														
07	.687 (17.4)	.875 (22.2)	6																														
08	.812 (20.6)	1.000 (25.4)	6																														
Screwlocks	Omit Socket Head Male Screwlocks P Female Screwlocks																																



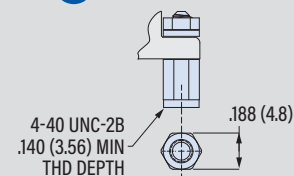
SCREWLOCK OPTIONS

No Designator: 4-40 Socket Head Male Jackscrews with Clips



Part Number **289-092**
Order 1 per backshell

P 4-40 Female Screwlocks



Part Number **289-015-A**
Order 1 per backshell

D-SUBMINIATURE ACCESSORIES