

# D-Subminiature

## 289-181

### Potting Shell, HiPer-D

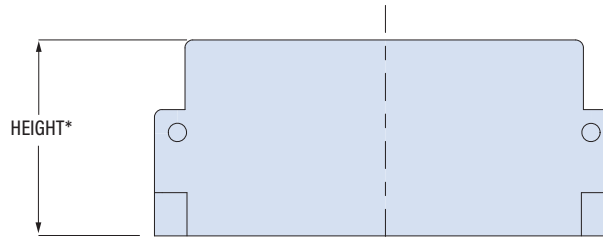


#### 289-181

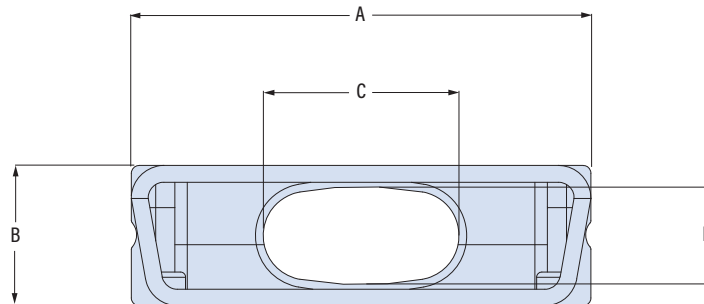
This accessory fits HiPer-D connectors with backshell groove: 280-018P, 280-019S, 280-046P, 280-047S. Not compatible with standard D-Sub connectors.

**HiPer-D Potting Shell.** Low profile two piece potting shell fits HiPer-D® connectors with backshell groove (280-018P, 280-019S, 280-046P, 280-047S). Available in five standard finishes. Fill cavity with potting compound to provide wire strain relief. Aluminum with passivated stainless steel screwlocks and clips.

PART NUMBER			
	Sample PN→	<b>289-181</b>	<b>2</b> <b>NF</b>
Base P/N	<b>289-181</b>		
Shell Size	<b>1 2 3 4 5 6</b>		
Finish	<b>TZ</b> Tin-Zinc <b>MN</b> MegaNickel <b>JF</b> Cadmium, Yel. Chromate <b>M</b> Electroless Nickel <b>NF</b> Olive Drab Cadmium <b>MT</b> Nickel-PTFE <b>ZR</b> Black Zinc-Nickel		
Height	<i>Omit</i> .75 (19.1) Height <b>4</b> 1.00 (25.4) Height <b>6</b> 1.50 (38.1) Height		



\* HEIGHT ACCORDING TO P/N



Shell Size	A Max		B Max		C		D	
	in	mm	in	mm	in	mm	in	mm
<b>1</b>	.894	22.7	.550	14.0	.65	16.5	.38	9.7
<b>2</b>	1.218	30.9	.550	14.0	.88	22.4	.38	9.7
<b>3</b>	1.760	44.7	.550	14.0	1.50	38.1	.38	9.7
<b>4</b>	2.408	61.2	.550	14.0	2.13	54.1	.38	9.7
<b>5</b>	2.297	58.3	.654	16.6	1.90	48.3	.50	12.7
<b>6</b>	2.422	61.5	.716	18.2	2.13	54.1	.55	14.0