

D-Subminiature

500-008

Protective Cover, Panel Mount



500-008

This accessory fits D-Subminiature M24308 and Series 28 HiPer-D connectors.

Metal cover for panel-mounted connectors. 500-008 aluminum cover fits M24308 D-Subminiature and Series 28 HiPer-D connectors. Variable height cover completely shrouds connector and seats against panel. Optional EMI panel gasket. Supplied with standard 4 inch (102mm) attachment. Cover has silicone gasket to protect connector face. Cover is supplied with 4-40 male screwlocks to mate with M24308/26 female screwlocks on panel connector. Also available with female screwlocks for use with cable mounted connectors. Aluminum body, passivated SST screwlocks, and silicone gasket.

TABLE 1
SCREWLOCK OPTIONS

No Designator Fillister Hd Male	A Socket Hd Male	H Hex Head Male
J Female	K Slotted Knurled	

PART NUMBER																															
Sample PN →	500-008 M 3 R3 A G T 01 -4																														
Base P/N	500-008																														
Finish	TZ Tin-Zinc MN MegaNickel JF Cadmium, Yel. Chromate M Electroless Nickel NF Olive Drab Cadmium MT Nickel-PTFE ZR Black Zinc-Nickel																														
Shell Size	1 2 3 4 5 6																														
Cover Height	Omit for front mounted connector. Omit for Female Screwlocks (Code J). Rear Panel Mounted Connector <table border="1"> <thead> <tr> <th>Code</th> <th>Panel Thickness</th> <th>Cover Height</th> </tr> </thead> <tbody> <tr> <td>Omit</td> <td>N/A</td> <td>.344 (8.7)</td> </tr> <tr> <td>R1</td> <td>.031 (0.8)</td> <td>.187 (4.8)</td> </tr> <tr> <td>R2</td> <td>.047 (1.2)</td> <td>.171 (4.3)</td> </tr> <tr> <td>R3</td> <td>.062 (1.6)</td> <td>.156 (4.0)</td> </tr> <tr> <td>R4</td> <td>.093 (2.4)</td> <td>.125 (3.2)</td> </tr> <tr> <td>R5</td> <td>.104 (2.6)</td> <td>.114 (2.9)</td> </tr> <tr> <td>R6</td> <td>.125 (3.2)</td> <td>.093 (2.4)</td> </tr> <tr> <td>R7</td> <td>.156 (4.0)</td> <td>.062 (1.6)</td> </tr> <tr> <td>R8</td> <td>.138 (3.5)</td> <td>.080 (2.0)</td> </tr> </tbody> </table>	Code	Panel Thickness	Cover Height	Omit	N/A	.344 (8.7)	R1	.031 (0.8)	.187 (4.8)	R2	.047 (1.2)	.171 (4.3)	R3	.062 (1.6)	.156 (4.0)	R4	.093 (2.4)	.125 (3.2)	R5	.104 (2.6)	.114 (2.9)	R6	.125 (3.2)	.093 (2.4)	R7	.156 (4.0)	.062 (1.6)	R8	.138 (3.5)	.080 (2.0)
Code	Panel Thickness	Cover Height																													
Omit	N/A	.344 (8.7)																													
R1	.031 (0.8)	.187 (4.8)																													
R2	.047 (1.2)	.171 (4.3)																													
R3	.062 (1.6)	.156 (4.0)																													
R4	.093 (2.4)	.125 (3.2)																													
R5	.104 (2.6)	.114 (2.9)																													
R6	.125 (3.2)	.093 (2.4)																													
R7	.156 (4.0)	.062 (1.6)																													
R8	.138 (3.5)	.080 (2.0)																													
Screwlocks (Table 1)	Omit Fillister Head Male Screwlocks A Socket Head Male Screwlocks H Hex Head Male Screwlocks J Female Screwlocks (fixed, non-rotating) K Knurled Slotted Head																														
EMI Panel Gasket	G Gasket Included <i>Omit if not required</i>																														
Protective cover is supplied with standard 4 inch attachment: SST wire rope with blue nylon jacket (Type F) and .182" diameter ring. Use the attachment codes below to modify or delete the attachment.																															
Attachment Type (Table 2)	Omit for standard attachment L No Attachment See Table 2 for Attachment Types																														
Attachment Diameter	Omit for standard attachment. Omit for Attachment Type SK. <table border="1"> <thead> <tr> <th>Code</th> <th>Ring Diameter</th> </tr> </thead> <tbody> <tr> <td>01</td> <td>.140 (3.6)</td> </tr> <tr> <td>02</td> <td>.182 (4.6)</td> </tr> <tr> <td>04</td> <td>.197 (5.0)</td> </tr> <tr> <td>06</td> <td>.125 (3.2)</td> </tr> </tbody> </table>	Code	Ring Diameter	01	.140 (3.6)	02	.182 (4.6)	04	.197 (5.0)	06	.125 (3.2)																				
Code	Ring Diameter																														
01	.140 (3.6)																														
02	.182 (4.6)																														
04	.197 (5.0)																														
06	.125 (3.2)																														
Attachment Length	Omit for standard attachment. Length in One Inch Increments (Example: -5 for five inch length)																														

D-SUBMINIATURE ACCESSORIES

D-Subminiature

500-008

Protective Cover, Panel Mount

D-SUBMINIATURE ACCESSORIES

Height Code	Panel Thickness		Height	
	in	mm	in	mm
Omit	N/A	N/A	.344	8.7
R1	.031	0.8	.187	4.8
R2	.047	1.2	.171	4.3
R3	.062	1.6	.156	3.4
R4	.093	2.4	.125	3.2
R5	.104	2.6	.114	2.9
R6	.125	3.2	.093	2.4
R7	.156	4.0	.062	1.6
R8	.138	3.4	.080	2.0

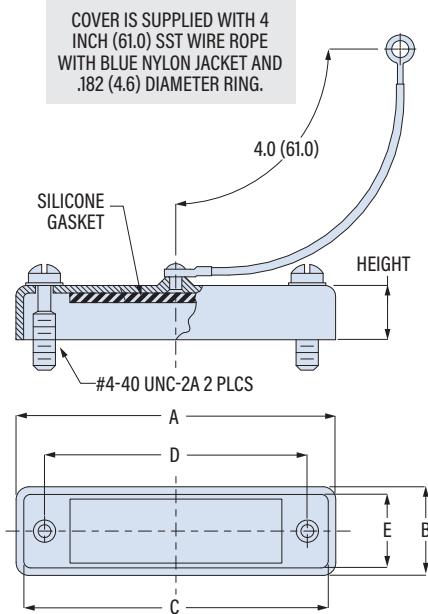

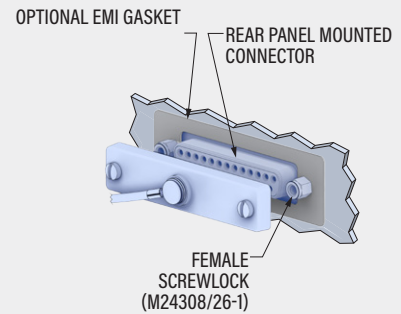


TABLE 2
ATTACHMENT TYPE

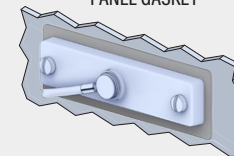
- D**  **SST Bead Chain**
.125 (3.2) diameter, size 6, -65 to +200 °C
- E**  **Wire Rope, Clear FEP Jacket**
Clear FEP jacket over SST rope, fair flexibility, good abrasion resistance, .100" diameter, -65 to +200 °C
- F**  **Wire Rope, Blue Nylon Jacket**
6/6 nylon over stainless steel rope, fair flexibility, good abrasion resistance, -55 to +100 °C
- G**  **Black Nylon Rope**
Very flexible, good abrasion and fuel resistance, .062 (1.6) diameter, -55 to +100 °C
- S**  **Sash Chain**
#8 sash chain, stainless steel.
Length tolerance is ± one link .280 (71)
- SK**  **Nylon Rope with Slip Knot**
Very flexible, good abrasion and fuel resistance, .094 (2.4) diameter. Length includes .5" (13mm) dia. loop, -55 to +100 °C
- T**  **SST Wire Rope, No Jacket**
Good flexibility, good abrasion resistance, .047 (1.2) diameter, passivated, -65 to +200 °C
- U**  **SST Wire Rope, Black Polyurethane**
Black polyurethane coating, very flexible, excellent abrasion resistance, .080" (2mm) diameter, -55 to +125 °C

EMI PANEL GASKET

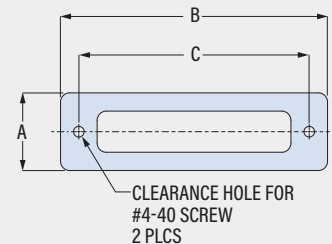
Install gasket on front side of panel. When cover is fastened to panel connector, the front edge of the cover seats onto gasket for aperture-free EMI protection.



COVER SEATS ONTO EMI PANEL GASKET



EMI PANEL GASKET
MATL: METLASTIC (ALUMINUM MESH EMBEDDED IN SILICONE) .020 (0.5) THICK



Shell Size	Gasket Part No.	A in	A mm	B in	B mm	C in	C mm
1	559-002-1	.740	18.8	1.500	38.1	.980	24.9
2	559-002-2	.740	18.8	1.810	46.0	1.310	33.3
3	559-002-3	.740	18.8	2.380	60.5	1.850	47.0
4	559-002-4	.740	18.8	3.010	76.5	2.500	63.5
5	559-002-5	.850	21.6	2.920	74.2	2.410	61.2
6	559-002-6	.925	23.5	3.010	76.5	2.500	63.5

Shell Size	A Max		B Max		C		D ± .005 (0.13)		E	
	in	mm	in	mm	in	mm	in	mm	in	mm
1	1.39	35.3	.51	13.0	1.23	31.2	.984	25.0	.41	10.4
2	1.72	43.7	.51	13.0	1.56	39.6	1.312	33.3	.41	10.4
3	2.26	57.4	.51	13.0	2.10	53.3	1.852	47.0	.41	10.4
4	2.90	73.7	.51	13.0	2.74	69.6	2.500	63.5	.41	10.4
5	2.81	71.4	.62	15.7	2.65	67.3	2.406	61.1	.52	13.2
6	2.90	73.7	.68	17.3	2.74	69.6	2.500	63.5	.58	14.7