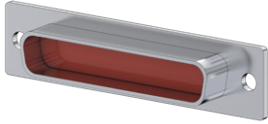


# D-Subminiature

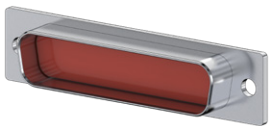
## 500-024, 500-068

### Dummy Stowage Plugs and Receptacles

Use dummy stowage accessory to secure and protect unused D-Subminiature connectors. Aluminum with silicone rubber gasket.



**500-024**  
Dummy Plug for Stowing D-Sub Pin (Receptacle) Connectors

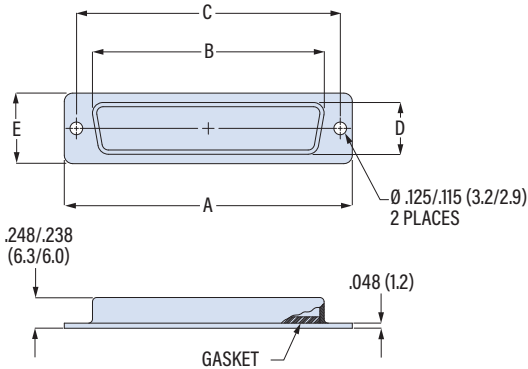


**500-068**  
Dummy Receptacle for Stowing D-Sub Socket (Plug) Connectors

PART NUMBER	
Sample PN →	<b>500-024</b> <b>M</b> <b>4</b>
Base P/N	<b>500-024</b> Dummy Stowage Plug <b>500-068</b> Dummy Stowage Receptacle
Finish	<b>TZ</b> Tin-Zinc <b>MN</b> MegaNickel <b>JF</b> Cadmium, Yel. Chromate <b>M</b> Electroless Nickel <b>NF</b> Olive Drab Cadmium <b>MT</b> Nickel-PTFE <b>ZR</b> Black Zinc-Nickel
Shell Size	<b>1 2 3 4 5 6</b>

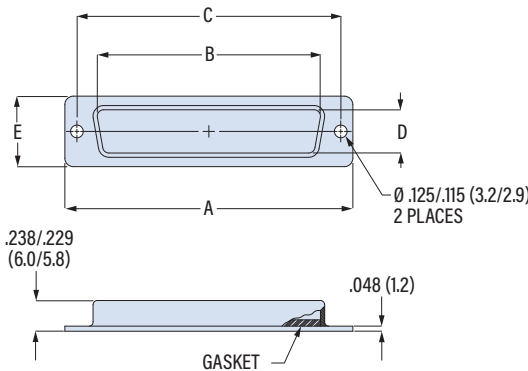
D-SUBMINIATURE ACCESSORIES

#### 500-024 DUMMY STOWAGE PLUG



Shell Size	A		B Max		C $\pm .005$ (0.13)		D Max		E	
	in	mm	in	mm	in	mm	in	mm	in	mm
<b>1</b>	1.213	30.8	.648	16.5	.984	25.0	.316	8.0	.494	12.5
<b>2</b>	1.541	39.1	.976	24.8	1.312	33.3	.316	8.0	.494	12.5
<b>3</b>	2.088	53.0	1.516	38.5	1.852	47.0	.316	8.0	.494	12.5
<b>4</b>	2.729	69.3	2.164	55.0	2.500	63.5	.316	8.0	.494	12.5
<b>5</b>	2.635	66.9	2.069	52.6	2.406	61.1	.428	10.9	.605	15.4
<b>6</b>	2.729	69.3	2.194	55.7	2.500	63.5	.490	12.4	.668	17.0

#### 500-068 DUMMY STOWAGE RECEPTACLE



Shell Size	A		B Max		C $\pm .005$ (0.13)		D Max		E	
	in	mm	in	mm	in	mm	in	mm	in	mm
<b>1</b>	1.213	30.8	.661	16.8	.984	25.0	.324	8.2	.494	12.5
<b>2</b>	1.541	39.1	.989	25.1	1.312	33.3	.324	8.2	.494	12.5
<b>3</b>	2.088	53.0	1.529	38.8	1.852	47.0	.324	8.2	.494	12.5
<b>4</b>	2.729	69.3	2.177	55.3	2.500	63.5	.324	8.2	.494	12.5
<b>5</b>	2.635	66.9	2.074	52.7	2.406	61.1	.436	11.1	.605	15.4
<b>6</b>	2.729	69.3	2.207	56.1	2.500	63.5	.498	12.6	.668	17.0