

D-Subminiature

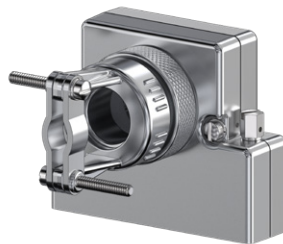
550-100

Shrouded Backshell, Saddle Clamp

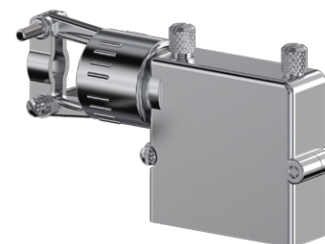
- Split Backshell
- For Unshielded Cable
- Saddle Clamp Strain Relief



T Top Entry



S Side Entry



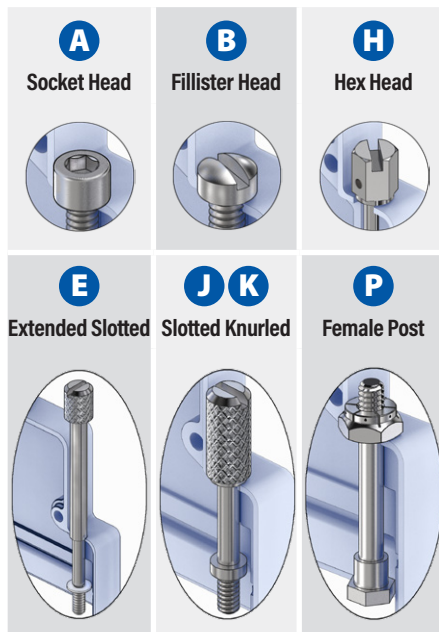
E End Entry

550-100

This accessory fits D-Subminiature M24308 connectors.
Not compatible with Series 28 HiPer-D

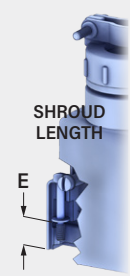
Saddle clamp, shrouded. 550-100 diecast aluminum backshell fits M24308 D-Subminiature connectors. Type L saddle clamp strain relief. Eleven shroud lengths to accommodate mating connector mounting dimensions. #4-40 screwlocks are included. Aluminum with stainless steel hardware.

TABLE 1
SCREWLOCK OPTIONS



PART NUMBER

	Sample PN →	550T100	M	3	R3	A
Base P/N	550T100	T Top Entry				
	550E100	E End Entry (Shell Size 1-5)				
	550S100	S Side Entry				
Finish	TZ	Tin-Zinc				
	MN	MegaNickel				
	JF	Cadmium, Yel. Chromate				
	M	Electroless Nickel				
	NF	Olive Drab Cadmium				
	MT	Nickel-PTFE				
	ZR	Black Zinc-Nickel				
Shell Size	1 2 3 4 5 6					
Shroud Length	Mating Connector Rear Panel Mounting					
	Code	Panel Thickness	E			
	R1	.031 (0.8)	.247 (6.3)			
	R2	.047 (1.2)	.231 (5.9)			
	R3	.062 (1.6)	.216 (5.5)			
	R4	.093 (2.4)	.185 (4.7)			
	R5	.104 (2.6)	.174 (4.4)			
	R6	.125 (3.2)	.153 (3.9)			
	R7	.156 (4.0)	.125 (3.2)			
	R8	.138 (3.5)	.140 (3.6)			
	R9	.188 (4.8)	.094 (2.4)			
CC	Cable-to-Cable	.170-.172 (4.3-4.4)				
F0	Front Panel Mount	.340-.344 (8.6-8.7)				
Screwlocks (Table 1)	Code Type		Profiles			
	A	Male, Socket Head	ST			
	B	Male, Fillister Head	ST			
	E	Male, Extended Slotted	ST			
	H	Male, Hex Head, Drilled	ST			
	J	Male, Slotted, Knurled	E			
	K	Male, Slotted, Knurled	ST			
P	Female Hex Post, Fixed	ST				

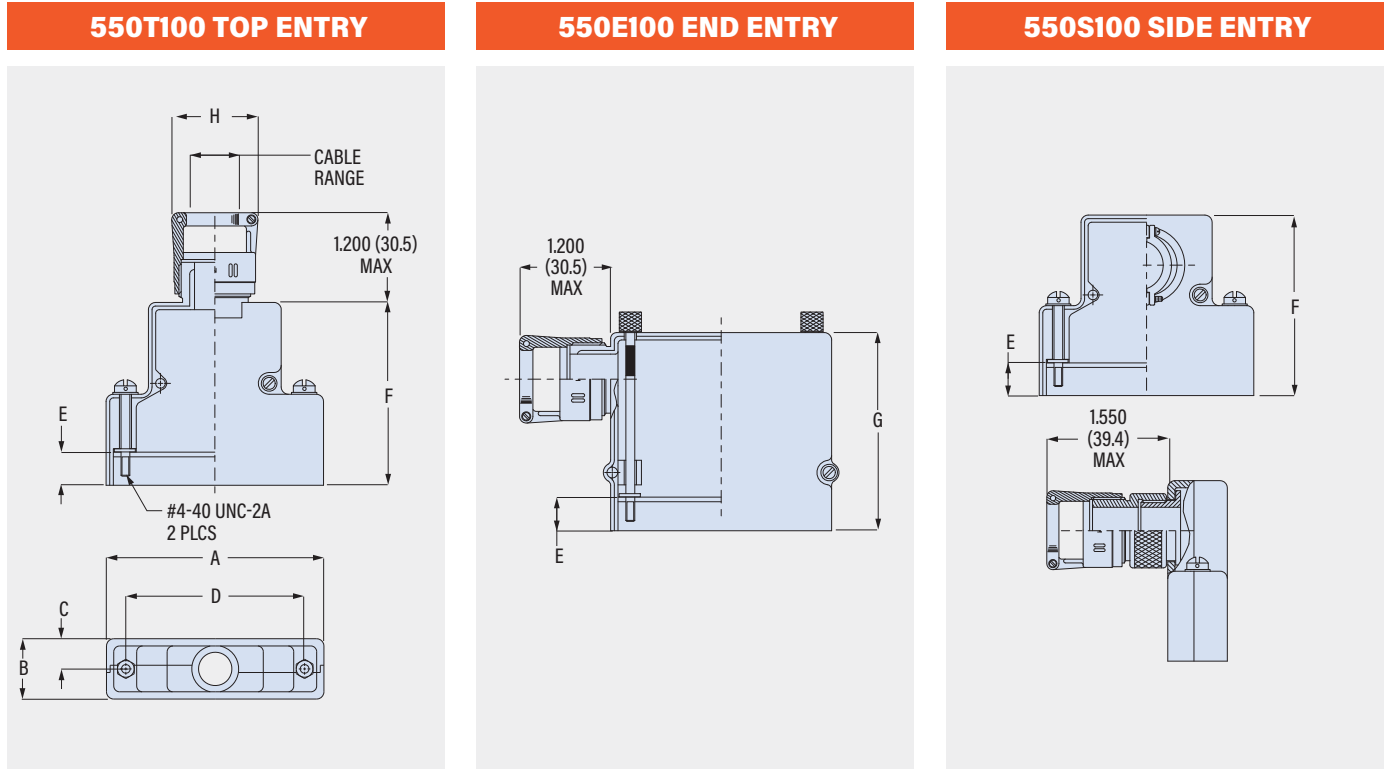


D-Subminiature

550-100

Shrouded Backshell, Saddle Clamp

- Split Backshell
- For Unshielded Cable
- Saddle Clamp Strain Relief



Shell Size	A Max		B Max		C		D ± .005 (0.13)				Cable Range				Profile E			
											Profile S, T				Min		Max	
	in	mm	in	mm	in	mm	in	mm	in	mm	in	mm	in	mm	in	mm	in	mm
1	1.393	35.4	.624	15.8	.312	7.9	.984	25.0	1.046	26.6	.125	3.2	.250	6.4	.250	6.4	.375	9.5
2	1.691	43.3	.624	15.8	.312	7.9	1.312	33.3	1.046	26.6	.250	6.4	.375	9.5	.250	6.4	.375	9.5
3	2.250	57.5	.624	15.8	.312	7.9	1.852	47.0	1.156	29.4	.312	7.9	.475	12.1	.312	7.9	.475	12.1
4	2.879	73.7	.624	15.8	.312	7.9	2.500	63.5	1.156	29.4	.312	7.9	.475	12.1	.312	7.9	.475	12.1
5	2.785	71.1	.750	19.1	.375	9.5	2.406	61.1	1.218	30.9	.437	11.1	.575	14.6	.437	11.1	.575	14.6
6	2.875	73.7	.844	21.4	.422	10.7	2.500	63.5	1.594	40.5	.812	20.6	1.000	25.4	N/A	N/A	N/A	N/A

Shroud Length	Mating Connector Panel		E		F						G				
	Thickness	Shroud Length	Size 1, 2	Size 3, 4, 5	Size 6	Size 1, 2	Size 3, 4, 5	Size 6	Size 1, 2	Size 3, 4, 5	Size 6	Size 1, 2	Size 3, 4, 5	Size 6	
in	mm	in	mm	in	mm	in	mm	in	mm	in	mm	in	mm	in	mm
CC	N/A	N/A	.170-.172	4.3-4.4	1.455	36.9	1.673	42.4	1.844	46.2	1.583	40.2	1.831	46.5	
F0	N/A	N/A	.343-.344	8.7	1.625	41.3	1.844	46.8	2.000	50.8	1.750	44.5	2.000	50.8	
R1	.031	0.8	.247	6.3	1.525	38.7	1.745	44.3	1.890	48.0	1.656	42.1	1.904	48.4	
R2	.047	1.2	.231	5.9	1.509	38.3	1.728	43.9	1.875	47.6	1.640	41.7	1.888	48.0	
R3	.062	1.6	.216	5.5	1.500	38.1	1.720	43.7	1.860	47.2	1.625	41.3	1.873	47.6	
R4	.093	2.4	.185	4.7	1.470	37.3	1.690	42.9	1.829	46.5	1.594	40.5	1.842	46.8	
R5	.104	2.6	.174	4.4	1.451	36.9	1.671	42.4	1.820	46.2	1.583	40.2	1.831	46.5	
R6	.125	3.2	.153	3.9	1.430	36.3	1.650	41.9	1.798	45.7	1.563	39.7	1.811	46.0	
R7	.156	4.0	.125	3.2	1.400	35.6	1.620	41.1	1.767	44.9	1.531	38.9	1.781	45.2	
R8	.138	3.4	.140	3.6	1.417	36.0	1.637	41.6	1.805	45.8	1.550	39.4	1.798	45.7	
R9	.188	4.8	.094	2.4	1.368	34.7	1.590	40.6	1.740	44.2	1.500	38.1	1.750	44.5	

D-SUBMINIATURE ACCESSORIES