

D-Subminiature

550-102

Shrouded Backshell, Qwik-Ty®

- Split Backshell
- For Unshielded Cable
- Qwik-Ty® Strain Relief



550-102

This accessory fits D-Subminiature M24308 connectors.
Not compatible with Series 28 HiPer-D

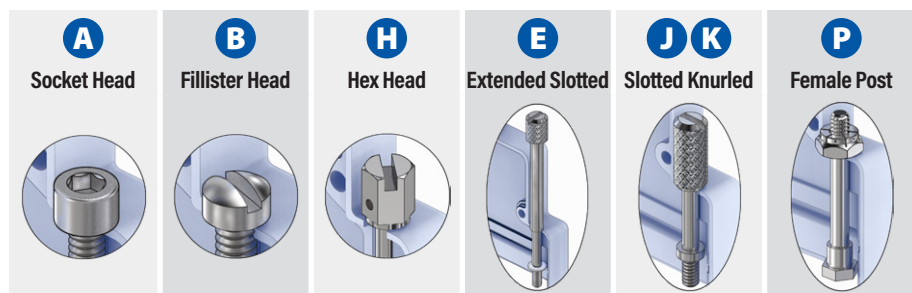
Qwik-Ty strain relief, split, shrouded. 550-102 diecast aluminum backshell fits M24308 D-Subminiature connectors. Attach cable tie to Qwik-Ty arm for strain relief. Connector is captivated between backshell halves. Eleven shroud lengths to accommodate mating connector mounting dimensions. #4-40 screwlocks are included. Aluminum with stainless steel screws and washers.

PART NUMBER

		Sample PN →					
Base P/N	Base Part No.	550T102	M	2	R4	H	
	Profile	T					
	Shell Sizes	1-6					
		550E102	E				
		550S102	S				
Finish	TZ	Tin-Zinc					
	MN	MegaNickel					
	JF	Cadmium, Yel. Chromate					
	M	Electroless Nickel					
	NF	Olive Drab Cadmium					
	MT	Nickel-PTFE					
	ZR	Black Zinc-Nickel					
Shell Size		1	2	3	4	5	6
Shroud Length	Mating Connector Rear Panel Mounting						
	Code	Panel Thickness	E				
	R1	.031 (0.8)	.247 (6.3)				
	R2	.047 (1.2)	.231 (5.9)				
	R3	.062 (1.6)	.216 (5.5)				
	R4	.093 (2.4)	.185 (4.7)				
	R5	.104 (2.6)	.174 (4.4)				
	R6	.125 (3.2)	.153 (3.9)				
	R7	.156 (4.0)	.125 (3.2)				
	R8	.138 (3.5)	.140 (3.6)				
	R9	.188 (4.8)	.094 (2.4)				
	CC	Cable-to-Cable	.170-.172 (4.3-4.4)				
	F0	Front Panel Mount	.340-.344 (8.6-8.7)				
Screwlocks (Table 1)	Code	Type	Profiles				
	A	Male, Socket Head	S T				
	B	Male, Fillister Head	S T				
	E	Male, Extended Slotted	S T				
	H	Male, Hex Head, Drilled	S T				
	J	Male, Slotted, Knurled	E				
	K	Male, Slotted, Knurled	S T				
	P	Female Hex Post, Fixed	S T				



TABLE 1 SCREWLOCK OPTIONS



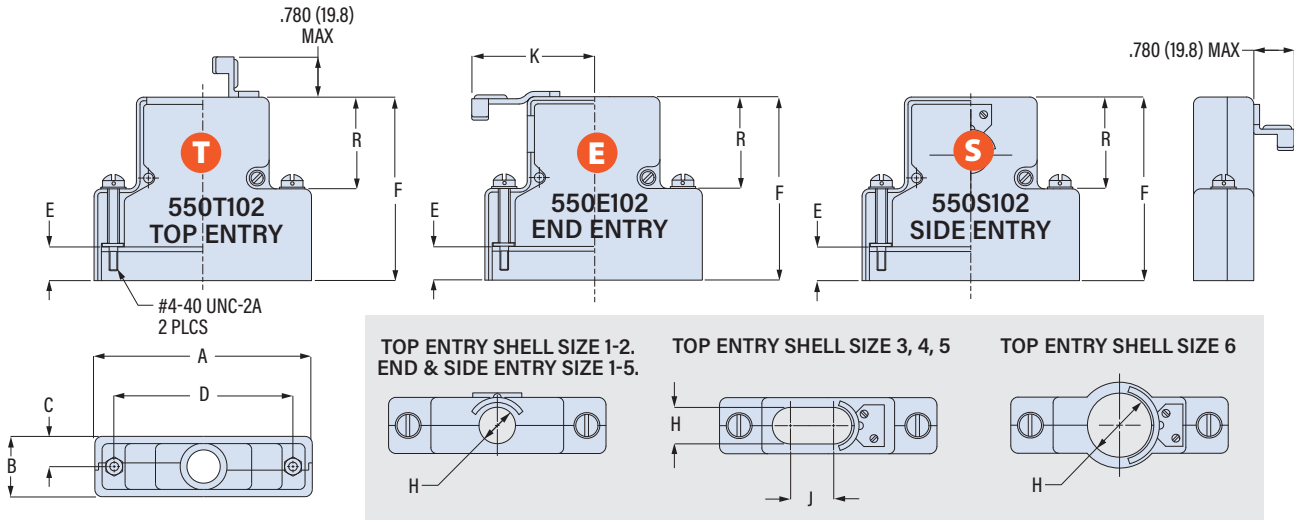
D-SUBMINIATURE ACCESSORIES

D-Subminiature

550-102

Shrouded Backshell, Qwik-Ty®

- Split Backshell
- For Unshielded Cable
- Qwik-Ty® Strain Relief



Shell Size	A Max		B Max		C	D ±.005 (0.13)			H Entry		J	K Max		R Ref		
	in	mm	in	mm		in	mm	in	mm	in		mm	in	mm	in	mm
1	1.393	35.4	.624	15.8	.312	7.9	.984	25.0	.437	11.1	-	-	1.080	27.4	.719	18.3
2	1.706	43.3	.624	15.8	.312	7.9	1.312	33.3	.500	12.7	-	-	1.250	31.8	.719	18.3
3	2.265	57.5	.624	15.8	.312	7.9	1.852	47.0	.500	12.7	.200	5.1	1.520	38.6	.938	23.8
4	2.900	73.7	.624	15.8	.312	7.9	2.500	63.5	.500	12.7	.600	15.2	1.840	46.7	.938	23.8
5	2.800	71.1	.750	19.1	.375	9.5	2.406	61.1	.600	15.2	.500	12.7	1.790	45.5	.938	23.8
6	2.900	73.7	.844	21.4	.422	10.7	2.500	63.5	1.020	25.9	-	-	1.840	46.7	1.094	27.8

Shroud Length	Mating Connector Panel Thickness		E		F ±.031 (0.8)					
	in	mm	in	mm	Size 1, 2		Size 3, 4, 5		Size 6	
CC	N/A	N/A	.174	4.4	1.455	36.9	1.673	42.4	1.844	46.2
F0	N/A	N/A	.343	8.7	1.625	41.3	1.844	46.8	2.000	50.8
R1	.031	0.8	.247	6.3	1.509	38.7	1.728	44.3	1.875	48.0
R2	.047	1.2	.231	5.9	1.509	38.3	1.728	43.9	1.875	47.6
R3	.062	1.6	.216	5.5	1.500	38.1	1.720	43.7	1.860	47.2
R4	.093	2.4	.185	4.7	1.470	37.3	1.690	42.9	1.829	46.5
R5	.104	2.6	.174	4.4	1.451	36.9	1.671	42.4	1.820	46.2
R6	.125	3.2	.153	3.9	1.430	36.3	1.650	41.9	1.798	45.7
R7	.156	4.0	.125	3.2	1.400	35.6	1.620	41.1	1.767	44.9
R8	.138	3.4	.140	3.6	1.417	36.0	1.637	41.6	1.785	45.8
R9	.188	4.8	.094	2.4	1.368	34.7	1.590	40.6	1.740	44.2

D-SUBMINIATURE ACCESSORIES