

D-Subminiature

550-200

Shorting Cap Backshell, Shrouded

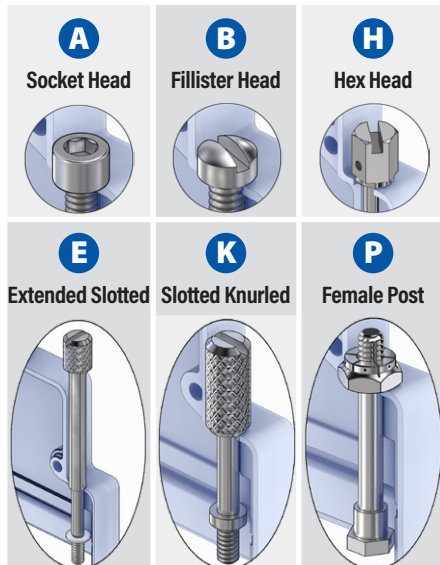


550-200

This accessory fits D-Subminiature M24308 connectors.
Not compatible with Series 28 HiPer-D

Split, shrouded. 550-200 shorting cap fits M24308 D-Subminiature connectors. Two piece backshell has overlapping lip for EMI shielding. Install optional EMI gasket on mating connector panel. Connector is captivated between backshell halves. Eleven shroud lengths to accommodate mating connector mounting dimensions. #4-40 screwlocks are included. Aluminum with stainless steel screws and washers.

TABLE 1
SCREWLOCK OPTIONS



PART NUMBER

Sample PN → **550-200 NF 4 R3 K 0 U 6 -06**

Base P/N	550-200
Finish	<ul style="list-style-type: none"> TZ Tin-Zinc MN MegaNickel JF Cadmium, Yel. Chromate M Electroless Nickel NF Olive Drab Cadmium MT Nickel-PTFE ZR Black Zinc-Nickel
Shell Size	1 2 3 4 5 6
Shroud Length	Mating Connector Rear Panel Mounting
	Panel
	Code Thickness E
	R1 .031 (0.8) .247 (6.3)
	R2 .047 (1.2) .231 (5.9)
	R3 .062 (1.6) .216 (5.5)
	R4 .093 (2.4) .185 (4.7)
	R5 .104 (2.6) .174 (4.4)
	R6 .125 (3.2) .153 (3.9)
	R7 .156 (4.0) .125 (3.2)
	R8 .135 (3.4) .140 (3.6)
R9 .188 (4.8) .094 (2.4)	
CC Cable-to-Cable .174 (4.4)	
F0 Front Panel Mtng. .343 (8.7)	
Screwlocks <i>(Table 1)</i>	<ul style="list-style-type: none"> A Male, Socket Head B Male, Fillister Head E Male, Extended Slotted H Male, Hex Head, Drilled K Male, Slotted, Knurled P Female Hex Post, Fixed
EMI Panel Gasket	<ul style="list-style-type: none"> 0 No Gasket 1 Gasket Included <i>(install on mating connector)</i>
Attachment Type <i>(Table 2)</i>	<i>Omit if not required.</i> <i>See Table 2 for attachment types.</i>
Attachment Length	<i>Omit if not required.</i> <i>Length in One Inch Increments</i>
Attachment Ring <i>(Table 3)</i>	<i>Omit if not required</i> <i>See Table 3 for attachment ring options.</i>



D-Subminiature

550-200

Shorting Cap Backshell, Shrouded

D-SUBMINIATURE ACCESSORIES

TABLE 2
ATTACHMENT TYPE








D	 SST Bead Chain .125 (3.2) diameter, size 6, -65 to +200 °C
F	 Wire Rope, Blue Nylon Jacket 6/6 nylon over stainless steel rope, fair flexibility, good abrasion resistance, -55 to +100 °C
G	 Black Nylon Rope Very flexible, good abrasion and fuel resistance, .094 (2.4) diameter, -55 to +100 °C
H	 Wire Rope, Clear FEP Jacket Clear FEP jacket over SST rope, fair flexibility, good abrasion resistance, .100" diameter, -65 to +200 °C
S	 Sash Chain #8 sash chain, stainless steel. Length tolerance is ± one link .280 (71)
T	 SST Wire Rope, No Jacket Good flexibility, good abrasion resistance, .047 (1.2) diameter, passivated, -65 to +200 °C
U	 SST Wire Rope, Black Polyurethane Black polyurethane coating, very flexible, excellent abrasion resistance, .080" (2mm) diameter, -55 to +125 °C

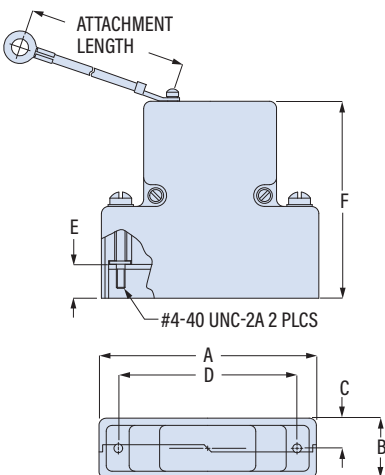
TABLE 3
ATTACHMENT RING

EYELET

Code	Eyelet I.D.
06	.125 (3.2)
01	.140 (3.6)
02	.182 (4.6)
04	.197 (5.0)

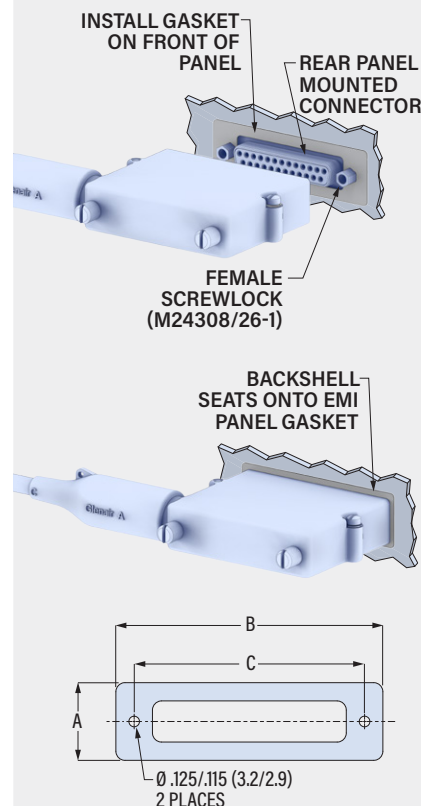
SPLIT RING

Code	Ring I.D.
50	.425 (10.8)
52	.485 (12.3)
54	.640 (16.3)
56	.750 (19.1)
58	.890 (22.6)
60	1.015 (25.8)
64	1.130 (28.7)
68	1.350 (34.3)



EMI PANEL GASKET

Install gasket on front side of mating connector panel. Gasket is die cut from .020" thick metalastic (aluminum mesh and silicone) material. When backshell is fastened to panel connector, the front edge of the shroud seats onto gasket for aperture-free EMI protection.



Shroud Length	Mating Connector Panel Thickness		E		F					
	in	mm	in	mm	Size 1, 2		Size 3, 4, 5		Size 6	
CC	N/A	N/A	.174	4.4	1.451	36.9	1.671	42.4	1.820	46.2
F0	N/A	N/A	.343	8.7	1.625	41.3	1.844	46.8	2.000	50.8
R1	.031	0.8	.247	6.3	1.525	38.7	1.745	44.3	1.890	48.0
R2	.047	1.2	.231	5.9	1.509	38.3	1.728	43.9	1.875	47.6
R3	.062	1.6	.216	5.5	1.500	38.1	1.720	43.7	1.860	47.2
R4	.093	2.4	.185	4.7	1.470	37.3	1.690	42.9	1.829	46.5
R5	.104	2.6	.174	4.4	1.451	36.9	1.671	42.4	1.820	46.2
R6	.125	3.2	.153	3.9	1.430	36.3	1.650	41.9	1.798	45.7
R7	.156	4.0	.125	3.2	1.400	35.6	1.620	41.1	1.767	44.9
R8	.135	3.4	.140	3.6	1.417	36.0	1.637	41.6	1.805	45.8
R9	.188	4.8	.094	2.4	1.368	34.7	1.590	40.6	1.740	44.2

Shell Size	A Max		B Max		C		D	
	in	mm	in	mm	in	mm	in	mm
1	1.393	35.4	.624	15.8	.312	7.9	.984	25.0
2	1.706	43.3	.624	15.8	.312	7.9	1.312	33.3
3	2.265	57.5	.624	15.8	.312	7.9	1.852	47.0
4	2.900	73.7	.624	15.8	.312	7.9	2.500	63.5
5	2.800	71.1	.750	19.1	.375	9.5	2.406	61.1
6	2.900	73.7	.844	21.4	.422	10.7	2.500	63.5

Shell Size	Gasket Part No.	A		B		C	
		in	mm	in	mm	in	mm
1	559-002-1	.740	18.8	1.500	38.1	.980	24.9
2	559-002-2	.740	18.8	1.810	46.0	1.310	33.3
3	559-002-3	.740	18.8	2.380	60.5	1.850	47.0
4	559-002-4	.740	18.8	3.010	76.5	2.500	63.5
5	559-002-5	.850	21.6	2.920	74.2	2.410	61.2
6	559-002-6	.925	23.5	3.010	76.5	2.500	63.5