

D-Subminiature

557-071

EMI Banding Backshell

- Solid EMI Backshell, .25" Flange
- Banding Shield Termination
- Qwik-Ty® Strain Relief



T Top Entry



S Side Entry



B 45° Entry



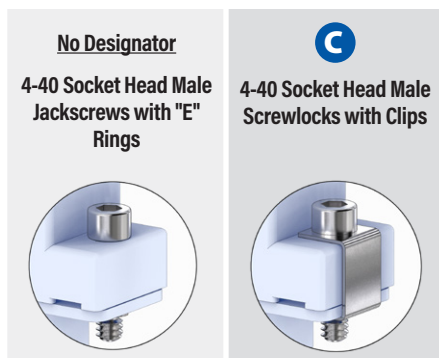
E End Entry

557-071

This accessory fits D-Subminiature M24308 connectors.
Not compatible with Series 28 HiPer-D

One piece, banding, .25 (6.4) flange. 557-071 lightweight aluminum backshell fits M24308 D-Subminiature connectors. Supplied with #4-40 male screwlocks. Terminate cable braid to backshell with banding strap. Optional slot for individual shield pigtailed. Optional Qwik-Ty arm for attaching cable tie (not supplied). Aluminum with stainless steel screwlocks and clips.

TABLE 1
SCREWLOCK OPTIONS



PART NUMBER

Sample PN → **557T071 M 3 31 S C T K**

Base P/N	557B071 B 45° Entry
	557E071 E End Entry
	557S071 S Side Entry
	557T071 T Top Entry
Finish	TZ Tin-Zinc
	MN MegaNickel
	JF Cadmium, Yel. Chromate
	M Electroless Nickel
	NF Olive Drab Cadmium
	MT Nickel-PTFE
ZR Black Zinc-Nickel	
Shell Size	1 2 3 4 5 6
Entry Size	Entry Size Entry Dia. Shell Size
	16 .175 (4.4) 1-6
	23 .250 (6.4) 1-6
	30 .312 (7.9) 1-6
	31 .375 (9.5) 1-6
	32 .430 (10.9) 1-6
33 .550 (14.0) 5-6	
Slot	Omit No Slot
	S Slot (in banding area)
Screwlocks (Table 1)	Omit Socket Head Jackscrews with "E" Rings
	C Socket Head Screwlocks with Clips
Qwik-Ty	Omit No Qwik-Ty Strain Relief Arm
	T Qwik-Ty Arm Included
Band	Omit No Band
	B Standard Band Included
	J Slim Standard Band Included

D-SUBMINIATURE ACCESSORIES

D-Subminiature

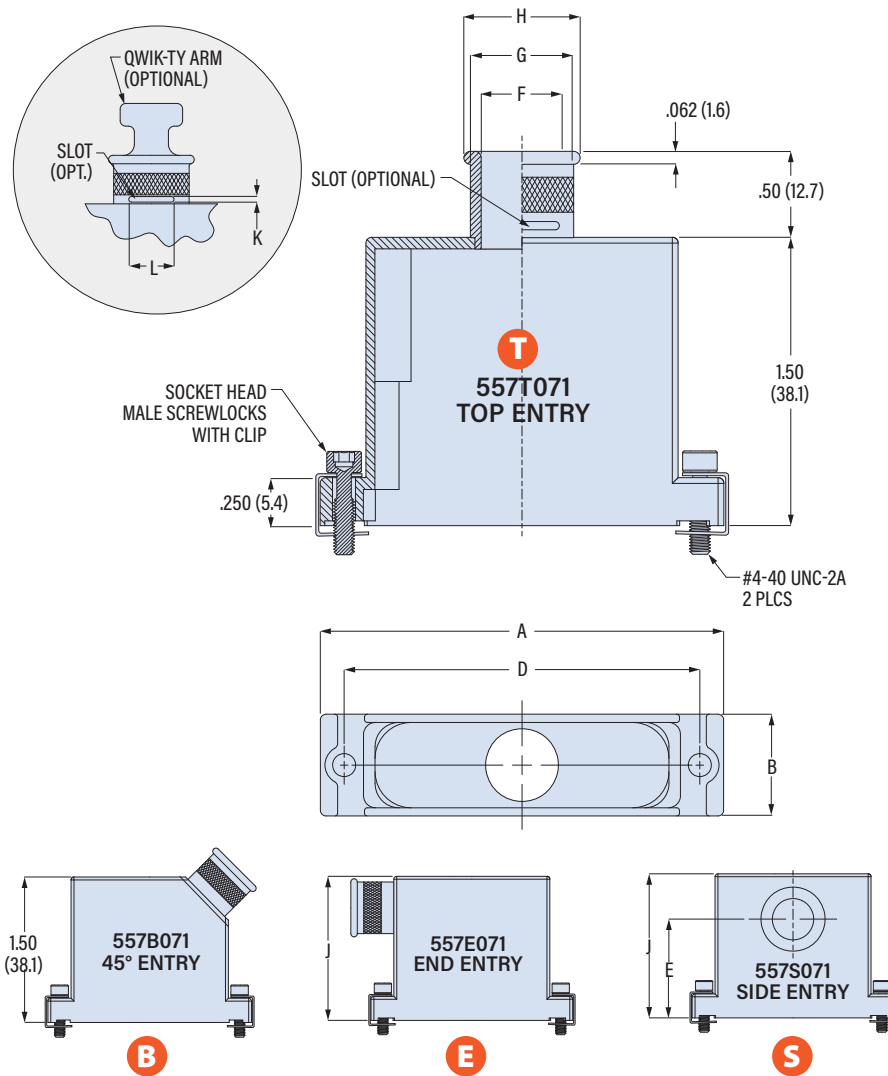


557-071

EMI Banding Backshell

- Solid EMI Backshell, .25" Flange
- Banding Shield Termination
- Qwik-Ty® Strain Relief

D-SUBMINIATURE ACCESSORIES



SCREWLOCK OPTIONS

No Designator
4-40 Socket Head Male Jackscrews with "E" Rings

Part Number 687-172
Order 2 per backshell

C
4-40 Socket Head Male Screwlocks with Clips

Part Number 687-236
Order 2 per backshell

BAND OPTIONS

Terminate cable braid to backshell with optional band strap and banding tool. Pre-coiled bands are passivated stainless steel. Slim Standard bands have reduced thickness for weight reduction.

Band Type and Width	Hand Tool	Pneumatic Tool
Standard: .24 (6.1)	601-100	601-106
Slim Standard: .24 (6.1)	601-109	601-110

Shell Size	A Max		B		D ± .005 (0.13)		E		J		Max Entry Size
	in	mm	in	mm	in	mm	in	mm	in	mm	
1	1.25	31.8	.53	13.5	.984	25.0	1.25	31.8	1.68	42.7	32
2	1.58	40.1	.53	13.5	1.312	33.3	1.25	31.8	1.68	42.7	32
3	2.13	54.1	.53	13.5	1.852	47.0	1.25	31.8	1.68	42.7	32
4	2.77	70.4	.53	13.5	2.500	63.5	1.25	31.8	1.68	42.7	32
5	2.68	68.1	.66	16.8	2.406	61.1	1.38	35.1	1.81	46.0	33
6	2.77	70.4	.73	18.5	2.500	63.5	1.47	37.3	1.97	50.0	33

Entry Size	ø F		ø G		ø H		K		L	
	in	mm	in	mm	in	mm	in	mm	in	mm
16	.175	4.4	.300	7.6	.412	10.5	.08	2.0	.19	4.8
23	.250	6.4	.375	9.5	.487	12.4	.08	2.0	.22	5.6
30	.312	7.9	.437	11.1	.550	14.0	.08	2.0	.25	6.4
31	.375	9.5	.500	12.7	.612	15.5	.08	2.0	.28	7.1
32	.430	10.9	.555	14.1	.667	16.9	.08	2.0	.31	7.9
33	.550	14.0	.675	17.1	.787	20.0	.08	2.0	.38	9.7